

SWS-SWT

CENTRIFUGAL SELF-PRIMING ELECTRIC PUMPS FOR POOLS

Centrifugal self-priming electric pumps for pools.

APPLICATIONS

- Filtration systems for private and public pools

TECHNICAL DETAILS

- Large-size incorporated prefilter
- Motor entirely isolated from the water
- Transparent pre-filter cover for easy inspection and maintenance
- Easy installation

PUMP TECHNICAL DATA

- Maximum temperature of the liquid: +40°C
- Maximum ambient temperature: +40°C
- Pumped liquid: clean or slightly dirty water, water containing chlorine or additives for pools
- Connections for SWS (2 alternatives):
 - Female thread 1"½
 - Connection for Ø50mm PVC pipe to be glued on
- Connections for SWT: female thread 2"

MOTOR TECHNICAL DATA

- Self-ventilated 2 pole asynchronous motor
- Class of insulation F
- 230V ±10% 50Hz single phase voltage, 230/400V ±10% 50Hz three phase voltage (only SWT)

MATERIALS

- Pump body, seal holding disc and diffuser made of polypropylene reinforced with fibreglass and resistant to chemical substances
- Noryl impeller
- Graphite/Ceramic mechanical seal
- Shaft in AISI 316
- Transparent polycarbonate pre-filter cover
- Aluminium base
- AISI 304 screws

ACCESSORIES (On request)

- Electric panels

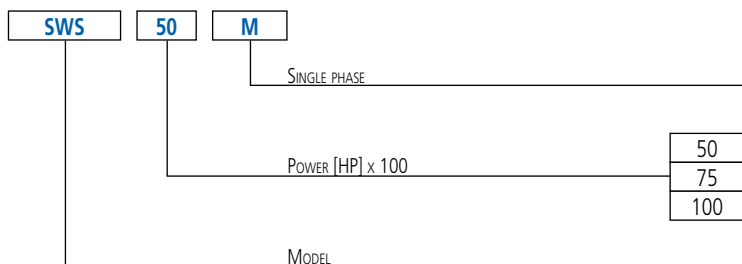


SWS

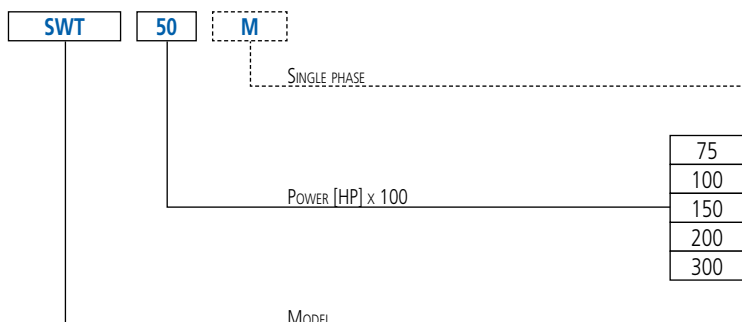


SWT

SWS IDENTIFICATION CODE



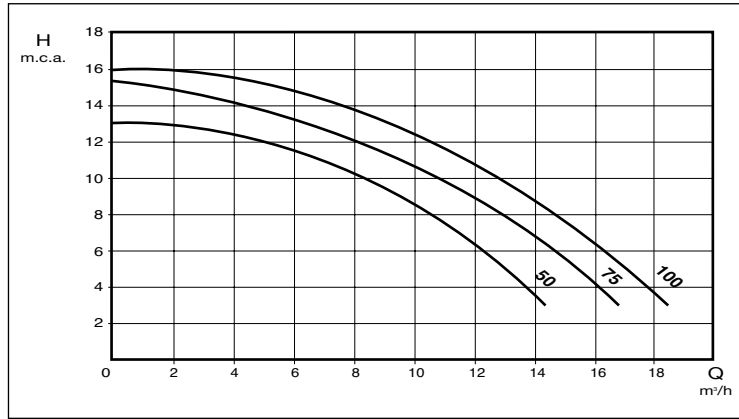
SWT IDENTIFICATION CODE



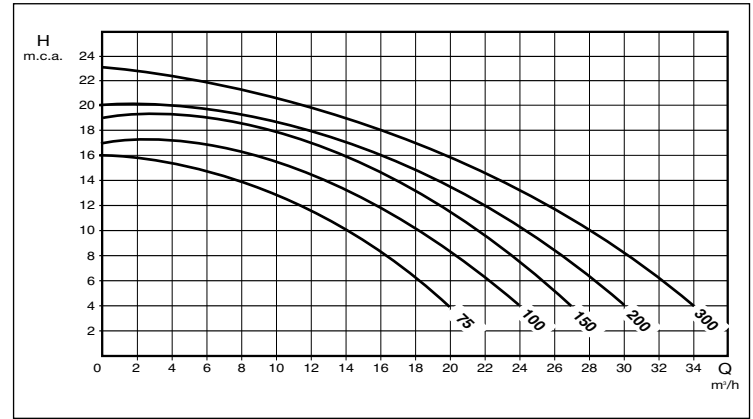
SWS-SWT

CENTRIFUGAL SELF-PRIMING ELECTRIC PUMPS FOR POOLS

SWS PERFORMANCE CURVES (according to ISO 9906 Attachment A)



SWT PERFORMANCE CURVES (according to ISO 9906 Attachment A)



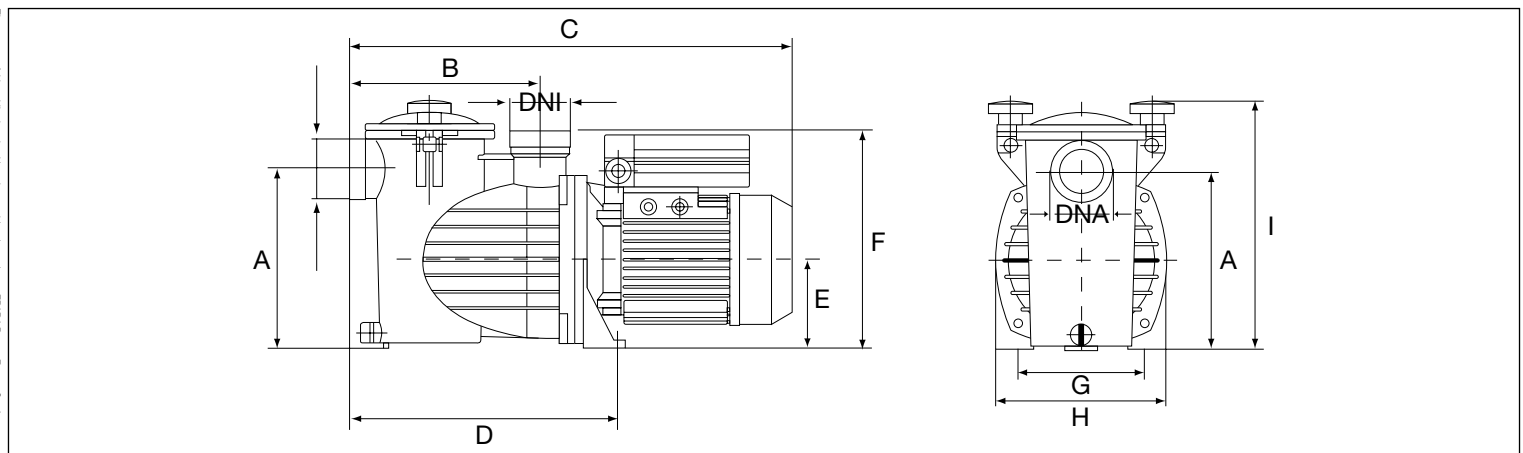
SWS PERFORMANCE CHART

Model Single phase 230V	P ₂		H=Head [m]									
	[HP]	[kW]	4	6	8	10	11	12	13	14	15	
SWS 50 M	0.5	0.33	14.0	12.0	10.0	7.0	6.5	5.0	-	-	-	
SWS 75 M	0.75	0.55	16.0	15.0	12.5	10.0	9.3	8.0	6.6	4.2	2.0	
SWS 100 M	1	0.75	18.0	16.0	15.3	13.0	12.1	10.5	9.7	7.6	6.0	

SWT PERFORMANCE CHART

Single phase 230V	Model Three phase 230/400V	P ₂		H=Head [m]									
		[HP]	[kW]	4	6	8	10	12	14	16	18	20	
SWT 75 M	SWT 75	0.75	0.55	19.5	18.0	15.7	13.5	10.8	7.9	-	-	-	
SWT 100 M	SWT 100	1	0.75	23.2	21.1	19.7	18.0	15.0	12.3	8.7	-	-	
SWT 150 M	SWT 150	1.5	1.1	27.0	25.0	23.0	21.0	19.0	17.0	14.0	10.0	-	
SWT 200 M	SWT 200	2	1.5	30.0	28.0	26.0	24.0	21.0	18.0	14.0	12.0	-	
SWT 300 M	SWT 300	3	2.2	34.0	32.0	30.0	29.0	27.0	23.0	20.0	15.0	12.0	

SWS DIMENSIONS



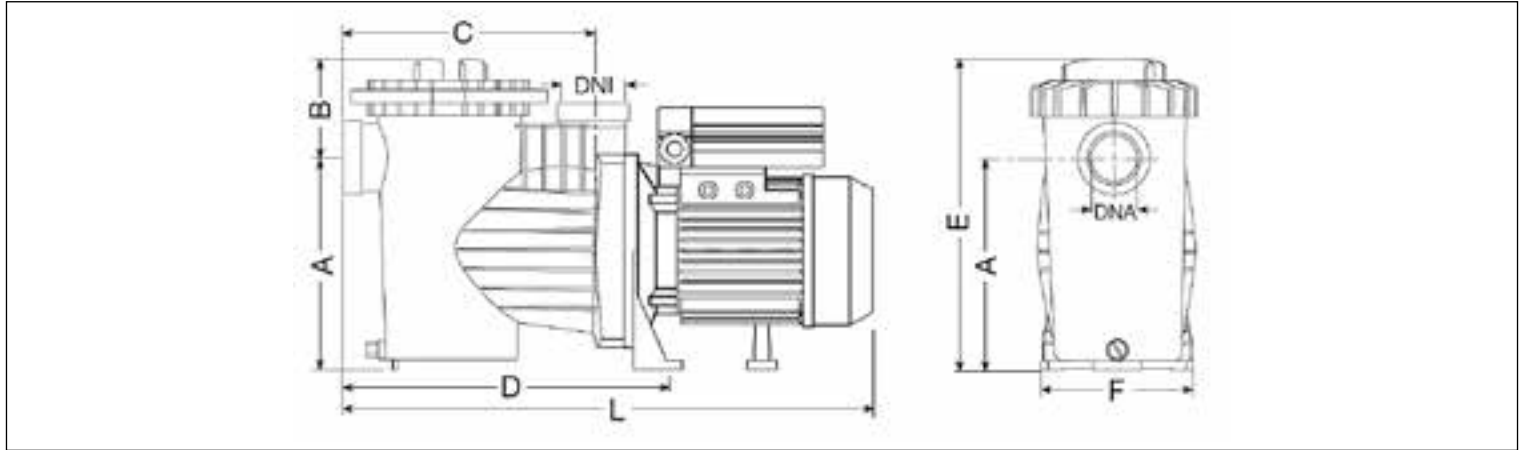
SWS DIMENSIONAL TABLE

Model	Dimensions [mm]										Weight [kg]
	A	B	C	D	E	F	G	H	I	DNA DNI	
SWS 50 M	191	205	470	285	95	233	140	180	265	1 1/2	11.0
SWS 75 M	191	205	470	285	95	233	140	180	265	1 1/2	12.6
SWS 100 M	191	205	470	285	95	233	140	180	265	1 1/2	12.6

SWS-SWT

CENTRIFUGAL SELF-PRIMING ELECTRIC PUMPS FOR POOLS

SWT DIMENSIONS



SWT DIMENSIONAL TABLE

Model	Dimensions [mm]								Weight [kg]
	A	B	C	D	E	F	L	DNA DNI	
SWT 75 M	225	109	280	350	329	200	550	2"	13.0
SWT 75	225	109	280	350	329	200	550	2"	12.5
SWT 100 M	225	109	280	350	329	200	550	2"	14.0
SWT 100	225	109	280	350	329	200	550	2"	14.0
SWT 150 M	225	109	280	350	329	200	575	2"	17.0
SWT 150	225	109	280	350	329	200	575	2"	15.5
SWT 200 M	225	109	280	350	329	200	575	2"	18.5
SWT 200	225	109	280	350	329	200	575	2"	17.0
SWT 300 M	225	109	280	350	329	200	647	2"	22.0
SWT 300	225	109	280	350	329	200	575	2"	19.0

ELECTRIC DATA TABLE

Model		P ₂		Efficiency		Capacitor		Absorbed Current [A]		
Single phase 230V	Three phase 230/400V	[HP]	[kW]	Single phase	Three phase	Single phase μF	V _c	Single phase 230V	Three phase 230V	Three phase 400V
SWS 50 M	-	0.5	0.33	-	-	20	450	3.5	-	-
SWS 75 M	-	0.75	0.55	-	-	20	450	4.3	-	-
SWS 100 M	-	1	0.75	-	IE2	20	450	5.5	-	-
SWT 75 M	SWT 75	0.75	0.55	-	-	20	450	4.75	3.1	1.8
SWT 100 M	SWT 100	1	0.75	-	IE2	25	450	5.5	3.8	2.2
SWT 150 M	SWT 150	1.5	1.1	-	IE2	30	450	7.3	5.0	2.9
SWT 200 M	SWT 200	2	1.5	-	IE2	40	450	9.2	6.0	3.5
SWT 300 M	SWT 300	3	2.2	-	IE2	40	450	12.2	8.6	5.0