

**NEW**

## SUBMERSIBLE PUMPS

DRENAG 300 AUTO  
DRENAG 600 AUTO

FEKA VS 450 AUTO



# DRENAG 300 MA - 600 MA - FEKA VS 450 MA



DRENAG



FEKA

## Applications

Rain, seepage, sump pit and catch tank water pump  
Out. Garden and vegetable-garden mini flood Irrigation  
system rainwater catch tank pump Down.

White water pump over from reservoirs and vats.

Pumping dirty water with possible floating solid contents  
(only Feka VS 450)

## Characteristics

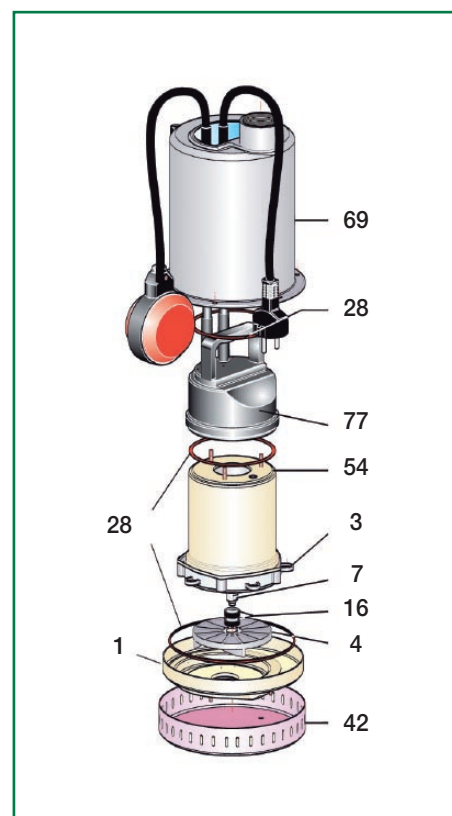
- Semi wet motor watercooled.

- Mechanical seal: oil bath mechanical seals (pump face), sealing ring (motor face).
- Permissible draught of water: 5 m
- By pass section: 10 mm (Drenag 300 - 600)  
20 Mm (Feka vs 450)
- Versions: single-phase 220-230 v / 50 hz  
With built in thermal protection and permanent capacitor.
- Standard cable features: 10 m H0NR-F with schuko plug
- Customised voltage and frequency rating available on demand.

## TECHNICAL DATA

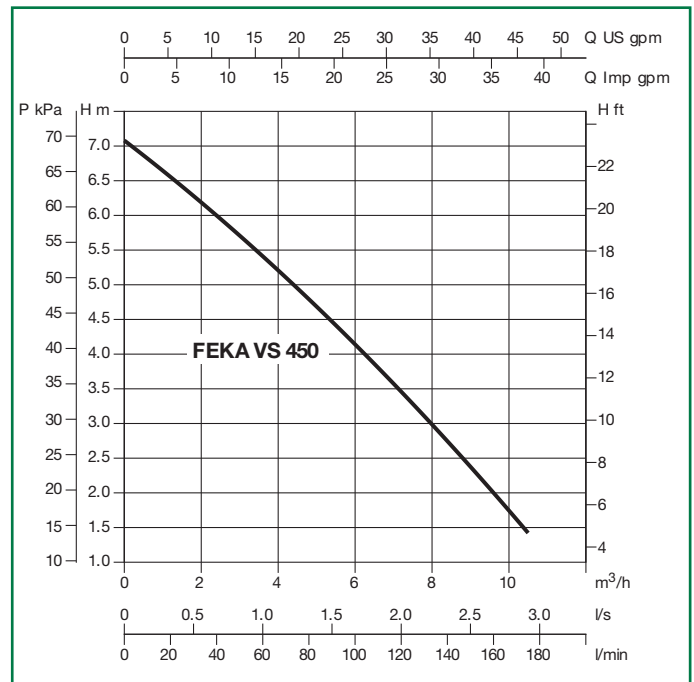
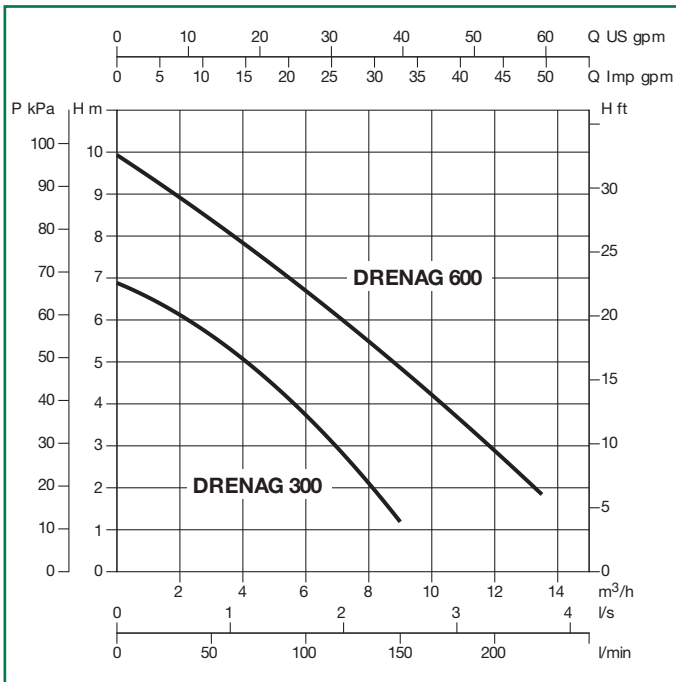
Voltage:	1x230 V~ 50 Hz
Power:	250 W - 450 W
Flow rate Q:	from 0 to 13,2 m <sup>3</sup> /h
Head H:	up to 10 m
Max liquid temperature:	50°C
Protection level:	IP 68
Insulation class:	F

N	Description	Material	
1	Pump body	Stainless steel AISI 304	
3	Support	Stainless steel AISI 304	
4	Impeller	Stainless steel AISI 304	
7	Shaft	Stainless steel AISI 416	
16	Mechanical seal	pump face	Silicon carbide/allumina
		motor face	With ring
28	O ring	NBR	
42	Filter	Stainless steel AISI 304	
54	Motor casing	Stainless steel AISI 304	
69	Pump liner	Stainless steel AISI 304	
77	Protection cover	Noryl	



# DRENAG 300 MA - 600 MA - FEKA VS 450 MA

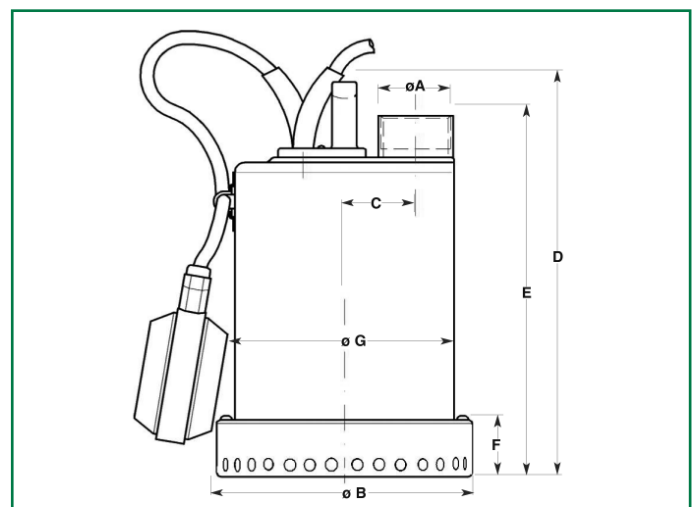
## ELECTRICAL AND HYDRAULIC DATA



MODEL	ELECTRICAL DATA							HYDRAULIC DATA													
	VOLTAGE 50 Hz	P1 MAX kW	P2 NOMINAL		In A	CAPACITOR		Q	m³/h												
			kW	HP		μF	Vc	0	1,5	3	4,5	6	7,5	9	10,5	13,5					
<b>DRENAG 300 MA</b>	1 x 220-230 V ~	0,5	0,25	0,33	1,8	8	450	H	7	6,3	5,6	4,7	3,7	2,5	1,2						
<b>DRENAG 600 MA</b>	1 x 220-230 V ~	0,7	0,45	0,6	3	10	450	(m)	10	9,3	8,4	7,5	6,5	5,5	4,6	3,6	1,8				

MODEL	ELECTRICAL DATA							HYDRAULIC DATA													
	VOLTAGE 50 Hz	P1 MAX kW	P2 NOMINAL		In A	CAPACITOR		Q	m³/h												
			kW	HP		μF	Vc	0	1,5	3	4,5	6	7,5	9	10,5						
<b>FEKA VS 450 MA</b>	1 x 220-230 V ~	0,7	0,45	0,6	2,8	10	450	H (m)	7	6,5	5,8	5	4,2	3,3	2,4	1,5					

## WEIGHT AND DIMENSIONS



MODEL	Ø A	B	C	D	E	F	G	PACKING DIMENSIONS			WEIGHT Kg
								L	M	N	
<b>DRENAG 300 MA</b>	1 1/4"	154	43	234	213,5	35	132	220	190	280	5,5
<b>DRENAG 600 MA</b>	1 1/4"	154	43	234	213,5	35	132	220	190	280	6,2
<b>FEKA VS 450 MA</b>	1 1/4"	154	43	264	243,5	65	132	220	190	280	6,5



Via Marco Polo, 14 - Mestrino (PD) Italy - Phone +39.049.5125000 - Fax +39.049.5125950  
Customer Service: Tel.: +39.049.5125350 - Fax +39.049.5125959 - email: customer.service@dwtgroup.com  
[www.dabpumps.com](http://www.dabpumps.com)



**DAB PUMPS LTD.**

Unit 4, Stortford Hall Industrial  
Park Dunmow Road, Bishops Stortford, Herts  
CM23 5GZ - UK  
info.uk&eire@dwtgroup.com  
Tel.: +44 1279 652 776  
Fax: +44 1279 657 727



**DAB PUMPS B.V.**

Albert Einsteinweg, 4  
5151 DL Drunen - Nederland  
info.netherlands@dwtgroup.com  
Tel.: +31 416 387280  
Fax: +31 416 387299



**DAB PUMPS B.V.**

Brusselstraat 150  
B-1702 Groot-Bijgaarden - Belgium  
info.belgium@dwtgroup.com  
Tel.: +32 2 4668353  
Fax: +32 2 4669218



**DAB PUMPEN DEUTSCHLAND GmbH**

Tackweg 11  
D - 47918 Tönisvorst - Germany  
info.germany@dwtgroup.com  
Tel.: +49 2151 82136-0  
Fax: +49 2151 82136-36



**PUMPS AMERICA, INC. DAB PUMPS DIVISION**

3226 Benchmark Drive  
Ladson, SC 29456 USA  
info.usa@dwtgroup.com  
Ph. : 1-843-824-6332  
Toll Free: 1-866-896-4DAB (4322)  
Fax : 1-843-797-3366



**DAB PUMPS IBERICA S.L.**

Parque Empresarial San Fernando  
Edificio Italia Planta 1ª  
28830 - San Fernando De Henares - Madrid Spain  
info.spain@dwtgroup.com  
Ph.: +34 91 6569545  
Fax: +34 91 6569676



**OOO DWT GROUP**

100 bldg. 3 Dmitrovskoe highway,  
127247 Moscow - Russia  
info.russia@dwtgroup.com  
Tel.: +7 495 739 52 50  
Fax: +7 495 485-3618



**DAB PUMPS CHINA**

Shandong Sheng Qingdao Shi  
Jinji Jishu Kaifaqu Kaituo Rd  
ZIP PC266510  
CN - China  
info.china@dwtgroup.com  
Tel.: +8613608963089  
Fax: +8653286812210