

Customer	Date	11/24/2020
Contact	Project	
Phone number	Project no.	
Email		

## RESIBOOST MMW09UK/BGM11

1005602270U

### Operating data

Pump type	Single head pump	Fluid	Water, pure
No. of pumps / Reserve	1 / 0	Operating temperature t A	°C 4
Nominal flow	l/s 0	pH-value at t A	7
Nominal head	m 0	Density at t A	kg/m <sup>3</sup> 1000
Static head	m 0	Kin. viscosity at t A	mm <sup>2</sup> /s 1.569
Inlet pressure	kPa 0	Vapor pressure at t A	kPa 100
Environmental temperature	°C 20	Solids	0
Available system NPSH	m 0	Altitude	m 0

### Pump data

Make	Lowara	Nominal	l/s ( )
Speed	rpm 2900	Flow	Max- l/s 1.2
Number of stages	1		Min- l/s
Max. casing pressure	kPa	Nominal	m
Max. working pressure	kPa 521.6	Head	at Qmax m 30.3
Head H(Q=0)	m 53		at Qmin m 53.2
Weight	kg On demand	Shaft power	kW ( )
	Max. mm 156	Max. shaft power	kW .8
Impeller R	designed mm 156	Efficiency	%
	Min. mm 156	NPSH 3%	m

### Pump Materials

Pump body	Stainless steel
Impeller	Stainless steel
Diffuser	Technopolymer
Ejector	Technopolymer
SEAL HOUSING	Stainless steel
Fill and drain plugs	Nickel-plated brass
Elastomers	EPDM

### Shaft Seal

Single seal	Roten
BG - LS	
Rotating Assembly	V-Ceramic
Fixed Assembly	B-Resin impregnated carbon
Elastomers	E - EPDM
Springs	G-AISI 316
Other Components	G-AISI 316

### Motor data

Manufacturer	Lowara	Electric voltage	230 V	Speed	2870 rpm	Insulation class	F
Specific design	Single phase pump motor - BG			Frame size	56	Colour	RAL 5010
Type	MOT_ BGM11/A						
Rated power	1.1 kW	Degree of protection	IP X5				
Electric current	6.47 A						

### Remarks:

Customer	Date	11/24/2020
Contact	Project	
Phone number	Project no.	
Email		

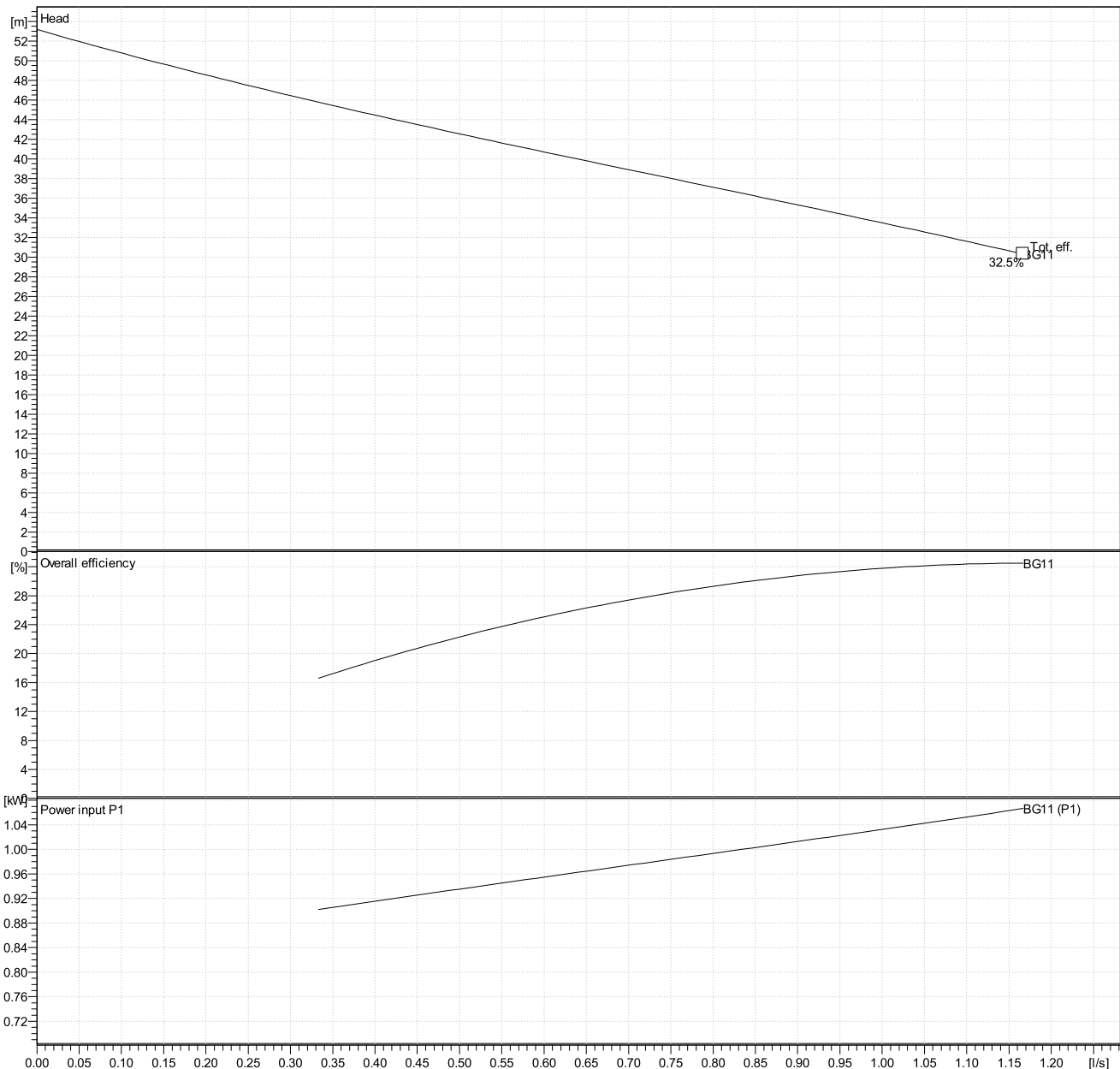
## RESIBOOST MMW09UK/BGM11

### 1005602270U

#### Hydraulic data

Operating Data Specification		Hydraulic data (duty point)		Impeller design	
Flow	0 l/s	Flow		Impeller R	156 mm
Head	0 m	Head		Frequency	50 Hz
Static head	0 m			Speed	2900 rpm

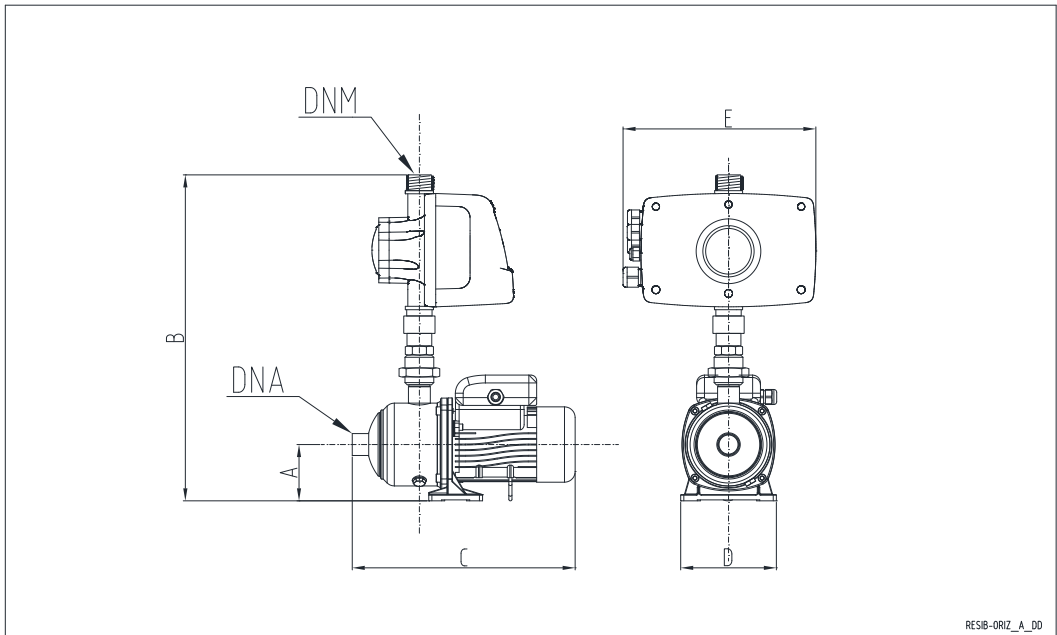
**Power datas referred to:**  
 Water, pure [100%] ; 4°C; 1000kg/m<sup>3</sup>; 1.57mm<sup>2</sup>/s  
 Performance according to ISO 9906:2012 – Grade 3B



Customer	Date	11/24/2020
Contact	Project	
Phone number	Project no.	
Email		

**RESIBOOST MMW09UK/BGM11**  
1005602270U

**Drawing**



RESIB-GRIZ\_A\_DD

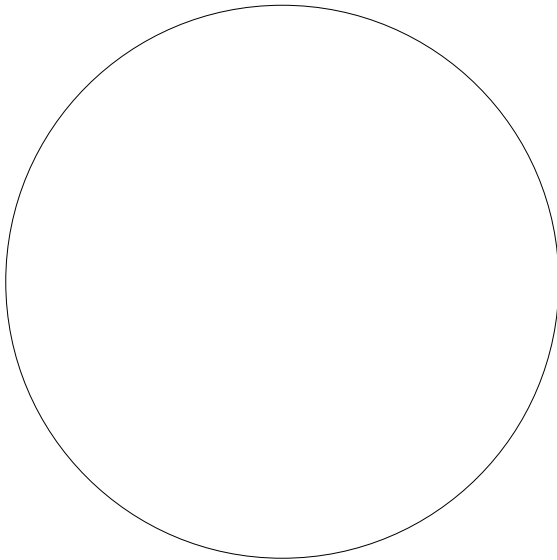
**Dimensions mm**

A	111					Weight On demand kg
B	474					
C	380					
D	215					
DNA	Rp1"1/4					
DNM	R1"1/4					
E	262					

**RESIBOOST MMW09UK/BGM11**  
**1005602270U**

Total lifetime	15	Inflation rate (rate of price increases)	2 %
Annual operating time	5600	Interest rate (for investment)	3 %
Energy cost per kWh	0.00 GBP		
Power input P1			

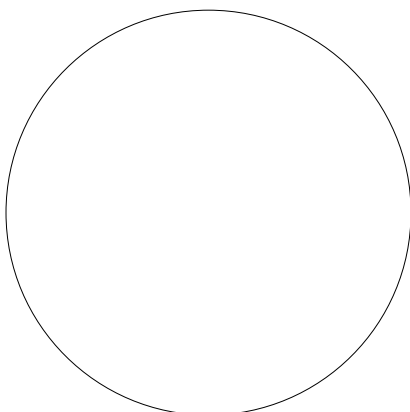
**Total costs**



- 0%** **0.00 GBP** Energy
- 0%** **0.00 GBP** Investment costs
- 0%** **0.00 GBP** Installation & commissioning
- 0%** **0.00 GBP** Operating cost
- 0%** **0.00 GBP** Maintenance & repair
- 0%** **0.00 GBP** Downtime
- 0%** **0.00 GBP** Environmental
- 0%** **0.00 GBP** Decommissioning

**GBP**

**First year costs**



- 0%** **0.00 GBP** Energy (1st year)
- 0%** **0.00 GBP** Investment costs (1st year)
- 0%** **0.00 GBP** Installation & commissioning (1st year)
- 0%** **0.00 GBP** Operating cost (1st year)
- 0%** **0.00 GBP** Maintenance & repair (1st year)
- 0%** **0.00 GBP** Downtime (1st year)
- 0%** **0.00 GBP** Environmental (1st year)
- 0%** **0.00 GBP** Decommissioning (1st year)

**GBP**