

| | | |
|--------------|-------------|------------|
| Customer | Date | 11/24/2020 |
| Contact | Project | |
| Phone number | Project no. | |
| Email | | |

RESIBOOST MMW09UK/BGM5

1005602267U

Operating data

| | | | |
|---------------------------|------------------|---------------------------|--------------------------|
| Pump type | Single head pump | Fluid | Water, pure |
| No. of pumps / Reserve | 1 / 0 | Operating temperature t A | °C 4 |
| Nominal flow | l/s 0 | pH-value at t A | 7 |
| Nominal head | m 0 | Density at t A | kg/m ³ 1000 |
| Static head | m 0 | Kin. viscosity at t A | mm ² /s 1.569 |
| Inlet pressure | kPa 0 | Vapor pressure at t A | kPa 100 |
| Environmental temperature | °C 20 | Solids | 0 |
| Available system NPSH | m 0 | Altitude | m 0 |

Pump data

| | | | |
|-----------------------|-----------------|------------------|----------------|
| Make | Lowara | Nominal | l/s () |
| Speed | rpm 2900 | Flow | Max- l/s 1 |
| Number of stages | 1 | | Min- l/s |
| Max. casing pressure | kPa | Nominal | m |
| Max. working pressure | kPa 394.2 | Head | at Qmax m 18.8 |
| Head H(Q=0) | m 40 | | at Qmin m 40.2 |
| Weight | kg On demand | Shaft power | kW () |
| | Max. mm 145 | Max. shaft power | kW .4 |
| Impeller R | designed mm 145 | Efficiency | % |
| | Min. mm 145 | NPSH 3% | m |

Pump Materials

| | |
|----------------------|---------------------|
| Pump body | Stainless steel |
| Impeller | Stainless steel |
| Diffuser | Technopolymer |
| Ejector | Technopolymer |
| SEAL HOUSING | Stainless steel |
| Fill and drain plugs | Nickel-plated brass |
| Elastomers | EPDM |

Shaft Seal

| | |
|-------------------|----------------------------|
| Single seal | Roten |
| BG - LS | |
| Rotating Assembly | V-Ceramic |
| Fixed Assembly | B-Resin impregnated carbon |
| Elastomers | E - EPDM |
| Springs | G-AISI 316 |
| Other Components | G-AISI 316 |

Motor data

| | | | | | | | |
|------------------|------------------------------|----------------------|-------|------------|----------|------------------|----------|
| Manufacturer | Lowara | Electric voltage | 230 V | Speed | 2840 rpm | Insulation class | F |
| Specific design | Single phase pump motor - BG | | | Frame size | 56 | Colour | RAL 5010 |
| Type | MOT_ BGM5/A | | | | | | |
| Rated power | 0.55 kW | Degree of protection | IP X5 | | | | |
| Electric current | 4.33 A | | | | | | |

Remarks:

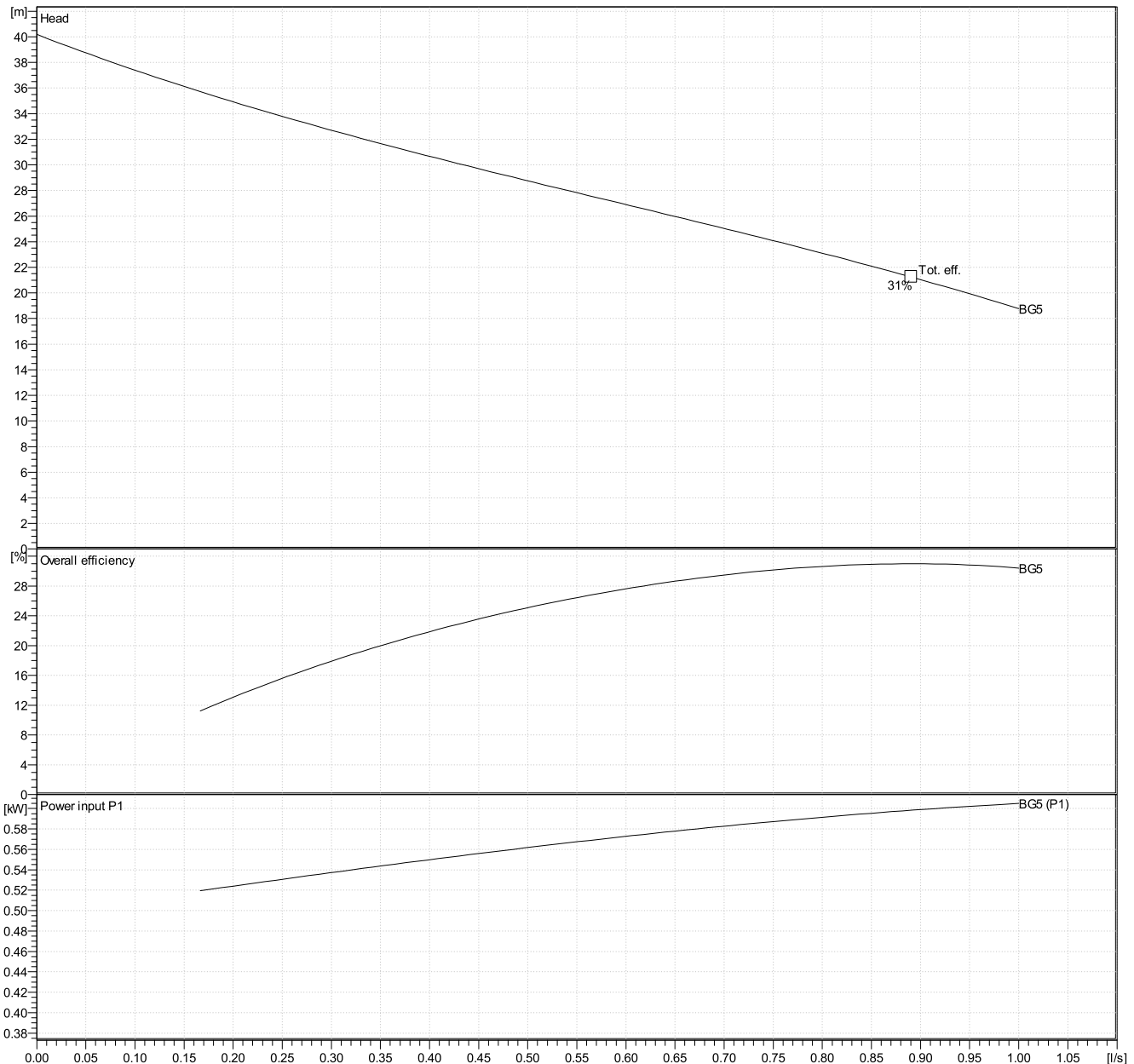
| | | |
|--------------|-------------|------------|
| Customer | Date | 11/24/2020 |
| Contact | Project | |
| Phone number | Project no. | |
| Email | | |

RESIBOOST MMW09UK/BGM5
1005602267U

Hydraulic data

| Operating Data Specification | | Hydraulic data (duty point) | | Impeller design | |
|------------------------------|-------|-----------------------------|--|-----------------|----------|
| Flow | 0 l/s | Flow | | Impeller R | 145 mm |
| Head | 0 m | Head | | Frequency | 50 Hz |
| Static head | 0 m | | | Speed | 2900 rpm |

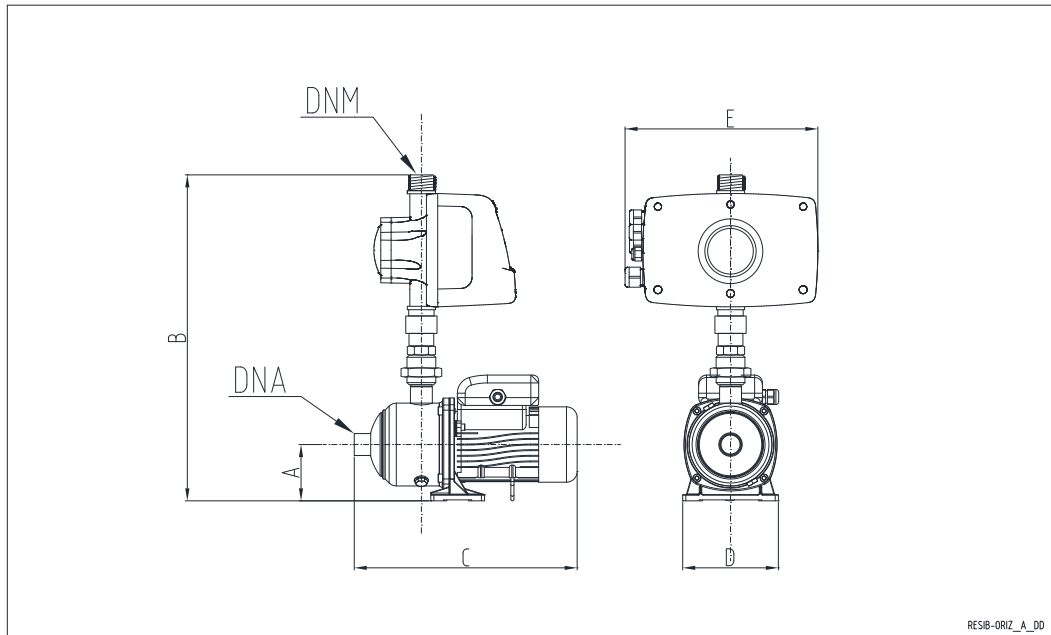
Power datas referred to:
Water, pure [100%] ; 4°C; 1000kg/m³; 1.57mm²/s
Performance according to ISO 9906:2012 – Grade 3B



| | | |
|--------------|-------------|------------|
| Customer | Date | 11/24/2020 |
| Contact | Project | |
| Phone number | Project no. | |
| Email | | |

RESIBOOST MMW09UK/BGM5
1005602267U

Drawing



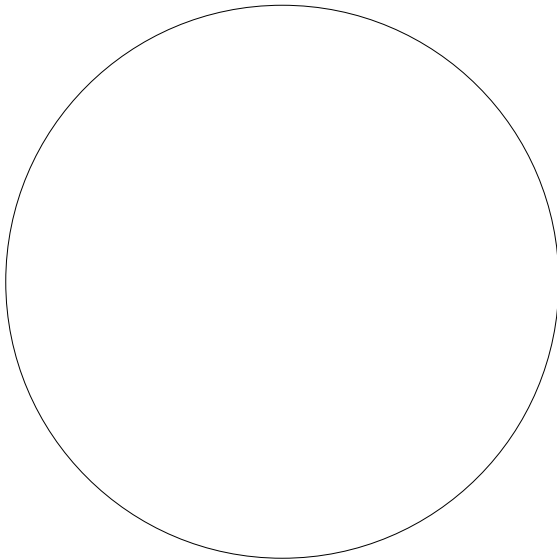
Dimensions mm

| | | | | | | |
|-----|---------|--|--|--|--|------------------------|
| A | 111 | | | | | Weight On demand kg |
| B | 474 | | | | | |
| C | 380 | | | | | |
| D | 215 | | | | | |
| DNA | Rp1"1/4 | | | | | |
| DNM | R1"1/4 | | | | | |
| E | 262 | | | | | |

RESIBOOST MMW09UK/BGM5
1005602267U

| | | | |
|-----------------------|----------|--|-----|
| Total lifetime | 15 | Inflation rate (rate of price increases) | 2 % |
| Annual operating time | 5600 | Interest rate (for investment) | 3 % |
| Energy cost per kWh | 0.00 GBP | | |
| Power input P1 | | | |

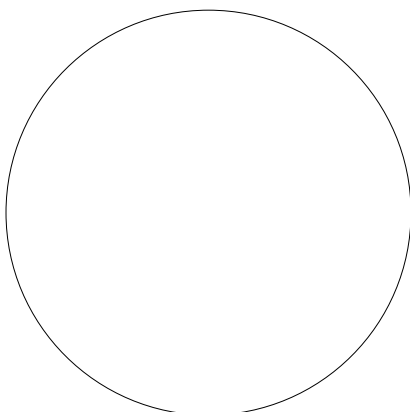
Total costs



- 0%** **0.00 GBP** Energy
- 0%** **0.00 GBP** Investment costs
- 0%** **0.00 GBP** Installation & commissioning
- 0%** **0.00 GBP** Operating cost
- 0%** **0.00 GBP** Maintenance & repair
- 0%** **0.00 GBP** Downtime
- 0%** **0.00 GBP** Environmental
- 0%** **0.00 GBP** Decommissioning

GBP

First year costs



- 0%** **0.00 GBP** Energy (1st year)
- 0%** **0.00 GBP** Investment costs (1st year)
- 0%** **0.00 GBP** Installation & commissioning (1st year)
- 0%** **0.00 GBP** Operating cost (1st year)
- 0%** **0.00 GBP** Maintenance & repair (1st year)
- 0%** **0.00 GBP** Downtime (1st year)
- 0%** **0.00 GBP** Environmental (1st year)
- 0%** **0.00 GBP** Decommissioning (1st year)

GBP