

Customer	Date	11/24/2020
Contact	Project	
Phone number	Project no.	
Email		

RESIBOOST MMW09UK/BGM3

1005602266U

Operating data

Pump type	Single head pump	Fluid	Water, pure
No. of pumps / Reserve	1 / 0	Operating temperature t A	°C 4
Nominal flow	l/s 0	pH-value at t A	7
Nominal head	m 0	Density at t A	kg/m ³ 1000
Static head	m 0	Kin. viscosity at t A	mm ² /s 1.569
Inlet pressure	kPa 0	Vapor pressure at t A	kPa 100
Environmental temperature	°C 20	Solids	0
Available system NPSH	m 0	Altitude	m 0

Pump data

Make	Lowara	Nominal	l/s ()
Speed	rpm 2900	Flow	Max- l/s .8
Number of stages	1	Min-	l/s
Max. casing pressure	kPa	Nominal	m
Max. working pressure	kPa 362.2	Head	at Qmax m 13.8
Head H(Q=0)	m 37	at Qmin	m 36.9
Weight	kg On demand	Shaft power	kW ()
Max.	mm 132	Max. shaft power	kW .3
Impeller R	designed mm 132	Efficiency	%
Min.	mm 132	NPSH 3%	m

Pump Materials

Pump body	Stainless steel
Impeller	Stainless steel
Diffuser	Technopolymer
Ejector	Technopolymer
SEAL HOUSING	Stainless steel
Fill and drain plugs	Nickel-plated brass
Elastomers	EPDM

Shaft Seal

Single seal	Roten
BG - LS	
Rotating Assembly	V-Ceramic
Fixed Assembly	B-Resin impregnated carbon
Elastomers	E - EPDM
Springs	G-AISI 316
Other Components	G-AISI 316

Motor data

Manufacturer	Lowara	Electric voltage	230 V	Speed	2710 rpm	Insulation class	F
Specific design	Single phase pump motor - BG	Frame size	56	Colour			RAL 5010
Type	MOT_ BGM3/A						
Rated power	0.37 kW	Degree of protection	IP X5				
Electric current	2.96 A						

Remarks:

Customer	Date	11/24/2020
Contact	Project	
Phone number	Project no.	
Email		

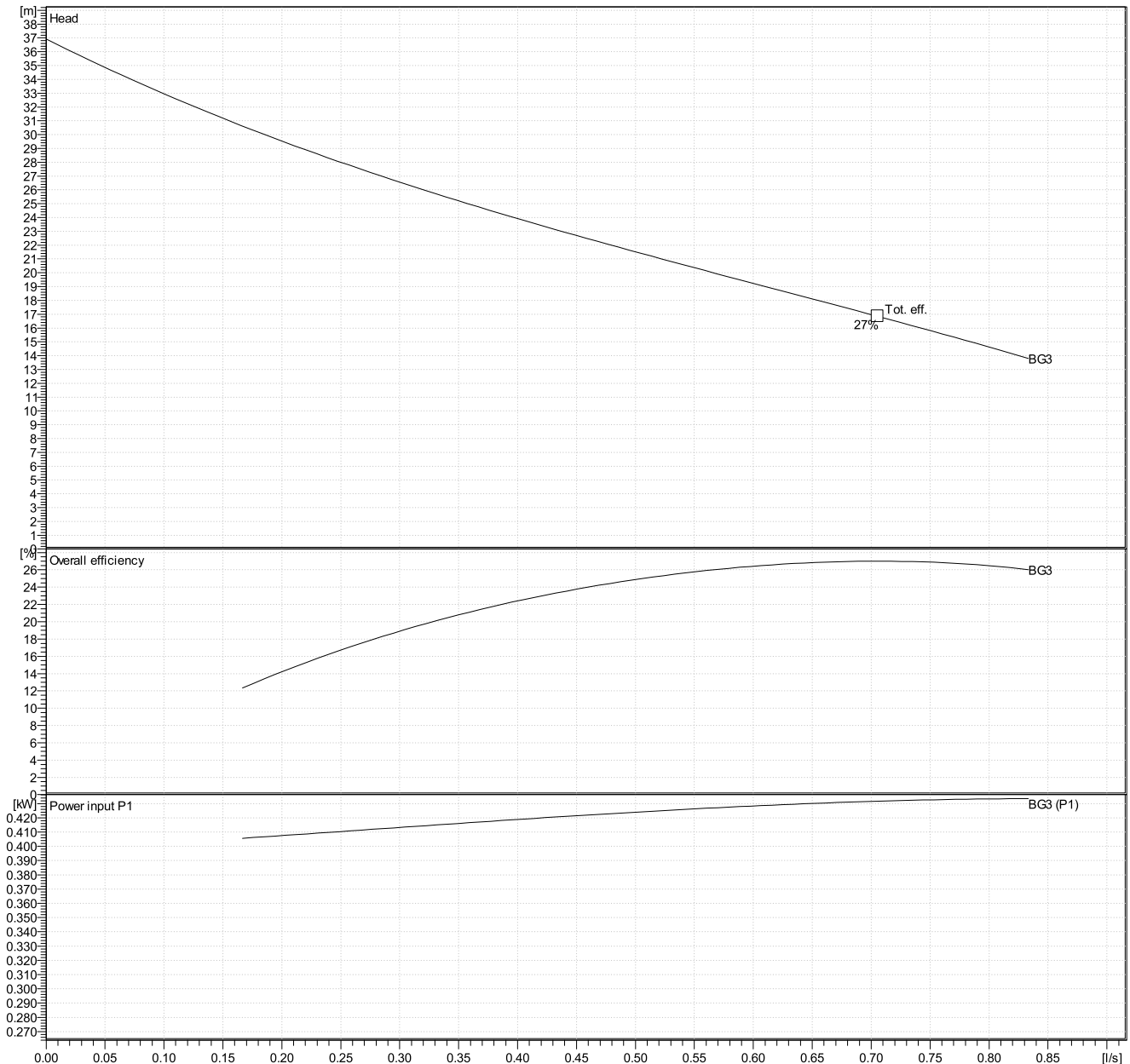
RESIBOOST MMW09UK/BGM3

1005602266U

Hydraulic data

Operating Data Specification		Hydraulic data (duty point)		Impeller design	
Flow	0 l/s	Flow		Impeller R	132 mm
Head	0 m	Head		Frequency	50 Hz
Static head	0 m			Speed	2900 rpm

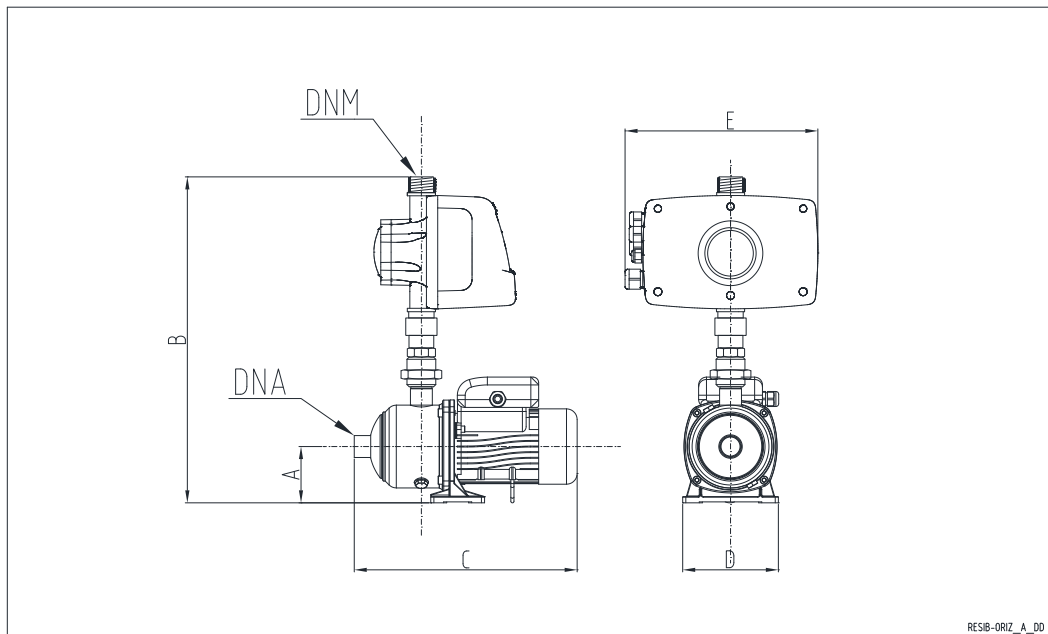
Power data referred to:
 Water, pure [100%] ; 4°C; 1000kg/m³; 1.57mm²/s
 Performance according to ISO 9906:2012 – Grade 3B



Customer	Date	11/24/2020
Contact	Project	
Phone number	Project no.	
Email		

RESIBOOST MMW09UK/BGM3
1005602266U

Drawing



RESIB-GRIZ_A_DD

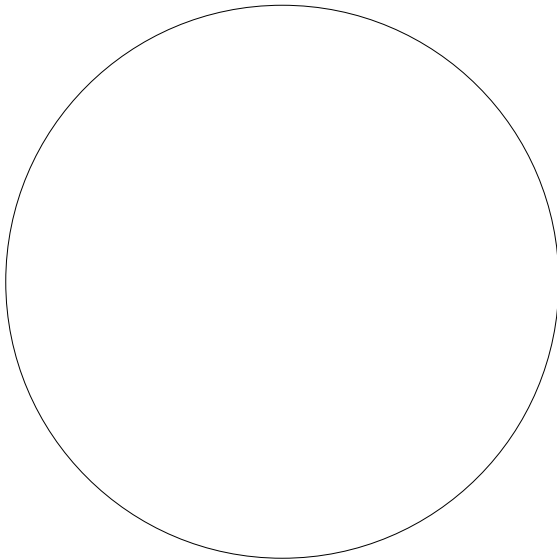
Dimensions mm

A	111					Weight On demand kg
B	474					
C	366					
D	215					
DNA	Rp1"1/4					
DNM	R1"1/4					
E	262					

RESIBOOST MMW09UK/BGM3
1005602266U

Total lifetime	15	Inflation rate (rate of price increases)	2 %
Annual operating time	5600	Interest rate (for investment)	3 %
Energy cost per kWh	0.00 GBP		
Power input P1			

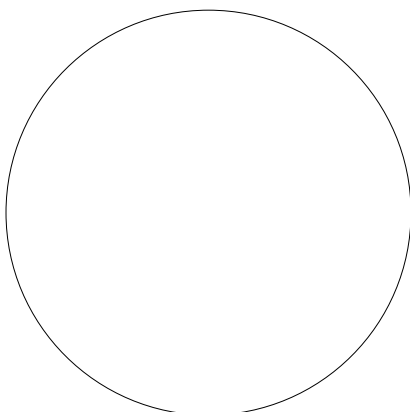
Total costs



- 0%** **0.00 GBP** Energy
- 0%** **0.00 GBP** Investment costs
- 0%** **0.00 GBP** Installation & commissioning
- 0%** **0.00 GBP** Operating cost
- 0%** **0.00 GBP** Maintenance & repair
- 0%** **0.00 GBP** Downtime
- 0%** **0.00 GBP** Environmental
- 0%** **0.00 GBP** Decommissioning

GBP

First year costs



- 0%** **0.00 GBP** Energy (1st year)
- 0%** **0.00 GBP** Investment costs (1st year)
- 0%** **0.00 GBP** Installation & commissioning (1st year)
- 0%** **0.00 GBP** Operating cost (1st year)
- 0%** **0.00 GBP** Maintenance & repair (1st year)
- 0%** **0.00 GBP** Downtime (1st year)
- 0%** **0.00 GBP** Environmental (1st year)
- 0%** **0.00 GBP** Decommissioning (1st year)

GBP