

**Qty. Description**

1 TPE3 D 65-180-S A-F-A-BQQE



Note! Product picture may differ from actual product

Product No.: [99272562](#)

Single-stage, close-coupled, volute twin-head pump with in-line suction and discharge ports of identical diameter. The twin-head pump is designed with two parallel power-heads. The pump is of the top-pull-out design, i.e. the power head (motor, pump head and impeller) can be removed for maintenance or service while the pump housing remains in the pipework.

Each power head is fitted with an unbalanced rubber bellows seal. The shaft seal is according to EN 12756. Pipework connection is via PN 6/10 DIN flanges (EN 1092-2 and ISO 7005-2).

Each power head is fitted with a fan-cooled, permanent-magnet synchronous motor of identical size. The motor efficiency is classified as IE5 in accordance with IEC 60034-30-2.

The motor includes a frequency converter and PI controller in the motor terminal box. This enables continuously variable control of the motor speed, which again enables adaptation of the performance to a given requirement. The pump is fitted with a combined temperature- and differential-pressure sensor.

**Controls:**

Frequency converter: Built-in

**Liquid:**

Pumped liquid: Water  
 Liquid temperature range: -25 .. 120 °C  
 Liquid temperature during operation: 20 °C  
 Density: 998.2 kg/m<sup>3</sup>

**Technical:**

Pump speed on which pump data are based: 4470 rpm  
 Rated flow: 32.7 m<sup>3</sup>/h  
 Rated head: 12.8 m  
 Actual impeller diameter: 78 mm  
 Primary shaft seal: BQQE  
 Curve tolerance: ISO9906:2012 3B

**Materials:**

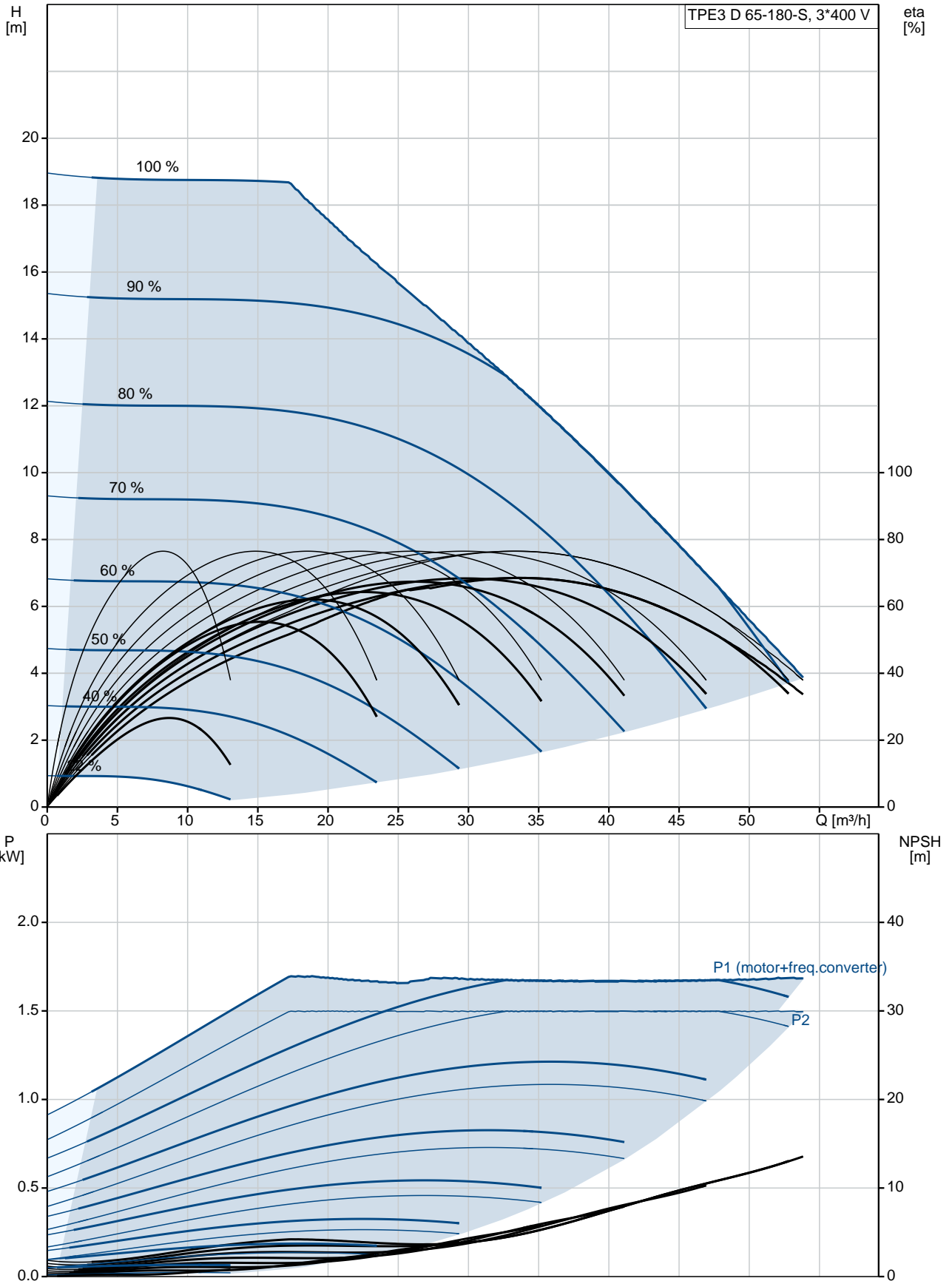
Pump housing: Cast iron  
 EN-JL1040  
 ASTM A48-40 B  
 Impeller: Composite PES/PP 30% GF

**Installation:**

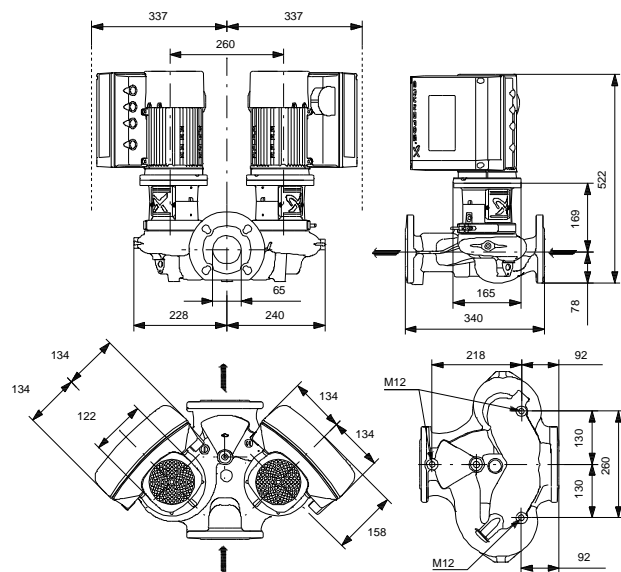
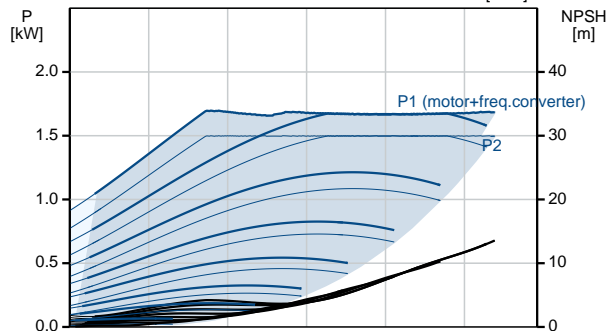
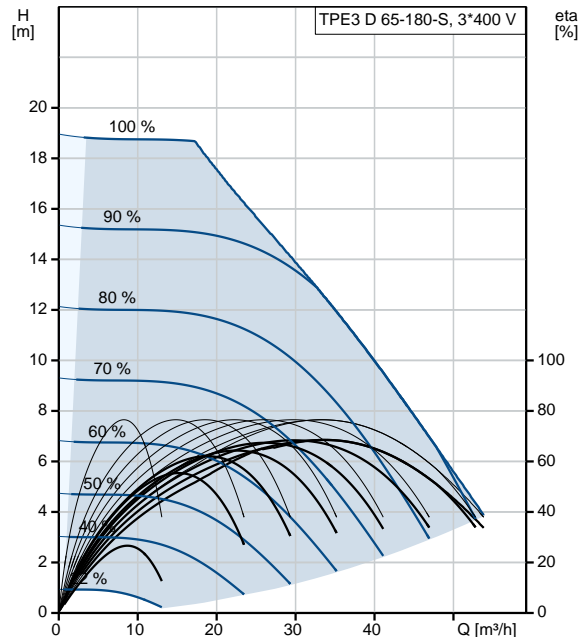
Range of ambient temperature: -20 .. 50 °C  
 Maximum operating pressure: 10 bar  
 Max pressure at stated temp: 10 bar / 120 °C  
 Flange standard: DIN  
 Pipe connection: DN 65

| Qty. | Description   |
|------|---|
|      | <p>Pressure rating: PN 6/10<br/>           Port-to-port length: 340 mm<br/>           Flange size for motor: 56C</p> <p><b>Electrical data:</b><br/>           Motor type: 90SB<br/>           IE Efficiency class: IE5<br/>           Rated power - P2: 2 x 1.5 kW<br/>           Mains frequency: 50 Hz<br/>           Rated voltage: 3 x 380-500 V<br/>           Rated current: 3.05-2.50 A<br/>           Cos phi - power factor: 0.90-0.83<br/>           Rated speed: 480-5900 rpm<br/>           Efficiency: 89.1%<br/>           Motor efficiency at full load: 89.1 %<br/>           Enclosure class (IEC 34-5): IP55<br/>           Insulation class (IEC 85): F</p> <p><b>Others:</b><br/>           Minimum efficiency index, MEI <math>\hat{\alpha}\%</math>: 0.7<br/>           ErP status: EuP Standalone/Prod.<br/>           Net weight: 58.6 kg<br/>           Gross weight: 71.9 kg<br/>           Shipping volume: 246 m<sup>3</sup><br/>           Country of origin: HU<br/>           Custom tariff no.: 84137065</p> |

## 99272562 TPE3 D 65-180-S A-F-A-BQQE 50 Hz



| Description                              | Value                                   |
|--|---|
| <b>General information:</b>              |   |
| Product name:                            | TPE3 D 65-180-S<br>A-F-A-BQQE           |
| Product No:                              | 99272562                                |
| EAN number:                              | 5713826366957                           |
| Price:                                   | 6.684,00 GBP                            |
| <b>Technical:</b>                        |   |
| Pump speed on which pump data are based: | 4470 rpm                                |
| Rated flow:                              | 32.7 m <sup>3</sup> /h                  |
| Rated head:                              | 12.8 m                                  |
| Head max:                                | 180 dm                                  |
| Actual impeller diameter:                | 78 mm                                   |
| Primary shaft seal:                      | BQQE                                    |
| Curve tolerance:                         | ISO9906:2012 3B                         |
| Pump version:                            | A                                       |
| Model:                                   | A                                       |
| <b>Materials:</b>                        |   |
| Pump housing:                            | Cast iron<br>EN-JL1040<br>ASTM A48-40 B |
| Impeller:                                | Composite PES/PP 30%<br>GF              |
| Material code:                           | A                                       |
| <b>Installation:</b>                     |   |
| Range of ambient temperature:            | -20 .. 50 °C                            |
| Maximum operating pressure:              | 10 bar                                  |
| Max pressure at stated temp:             | 10 bar / 120 °C                         |
| Flange standard:                         | DIN                                     |
| Pipe connection:                         | DN 65                                   |
| Pressure rating:                         | PN 6/10                                 |
| Port-to-port length:                     | 340 mm                                  |
| Flange size for motor:                   | 56C                                     |
| Connect code:                            | F                                       |
| <b>Liquid:</b>                           |   |
| Pumped liquid:                           | Water                                   |
| Liquid temperature range:                | -25 .. 120 °C                           |
| Liquid temperature during operation:     | 20 °C                                   |
| Density:                                 | 998.2 kg/m <sup>3</sup>                 |
| <b>Electrical data:</b>                  |   |
| Motor type:                              | 90SB                                    |
| IE Efficiency class:                     | IE5                                     |
| Rated power - P2:                        | 2 x 1.5 kW                              |
| Mains frequency:                         | 50 Hz                                   |
| Rated voltage:                           | 3 x 380-500 V                           |
| Rated current:                           | 3.05-2.50 A                             |
| Cos phi - power factor:                  | 0.90-0.83                               |
| Rated speed:                             | 480-5900 rpm                            |
| Efficiency:                              | 89.1%                                   |
| Motor efficiency at full load:           | 89.1%                                   |
| Enclosure class (IEC 34-5):              | IP55                                    |
| Insulation class (IEC 85):               | F                                       |
| Motor protec:                            | YES                                     |
| Motor No:                                | 99138037                                |
| <b>Controls:</b>                         |   |
| Control panel:                           | HMI300 - Graphical                      |
| Function Module:                         | FM300 - Advanced                        |
| Frequency converter:                     | Built-in                                |
| <b>Others:</b>                           |   |





Company name:

Created by:

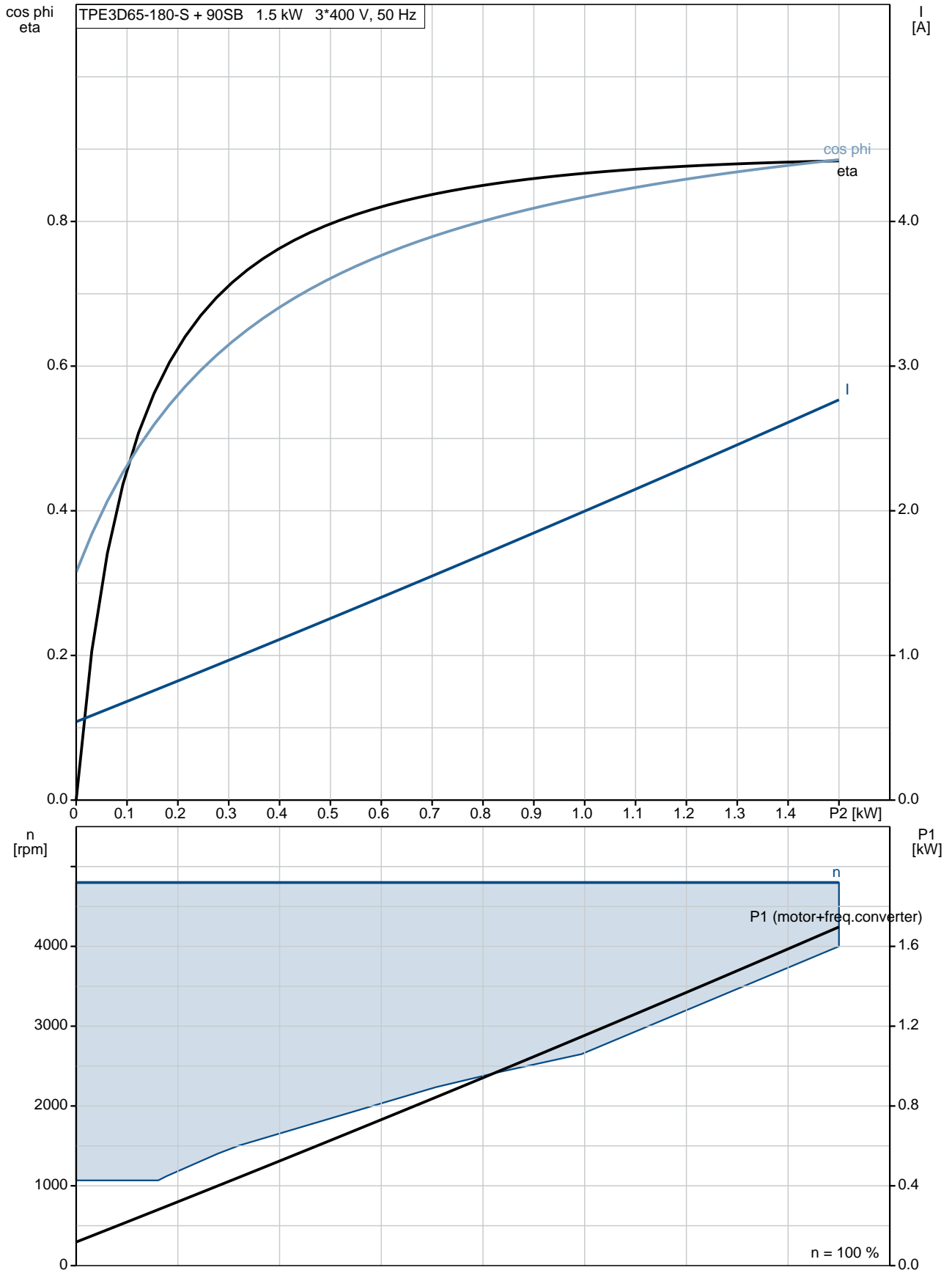
Phone:

Date:

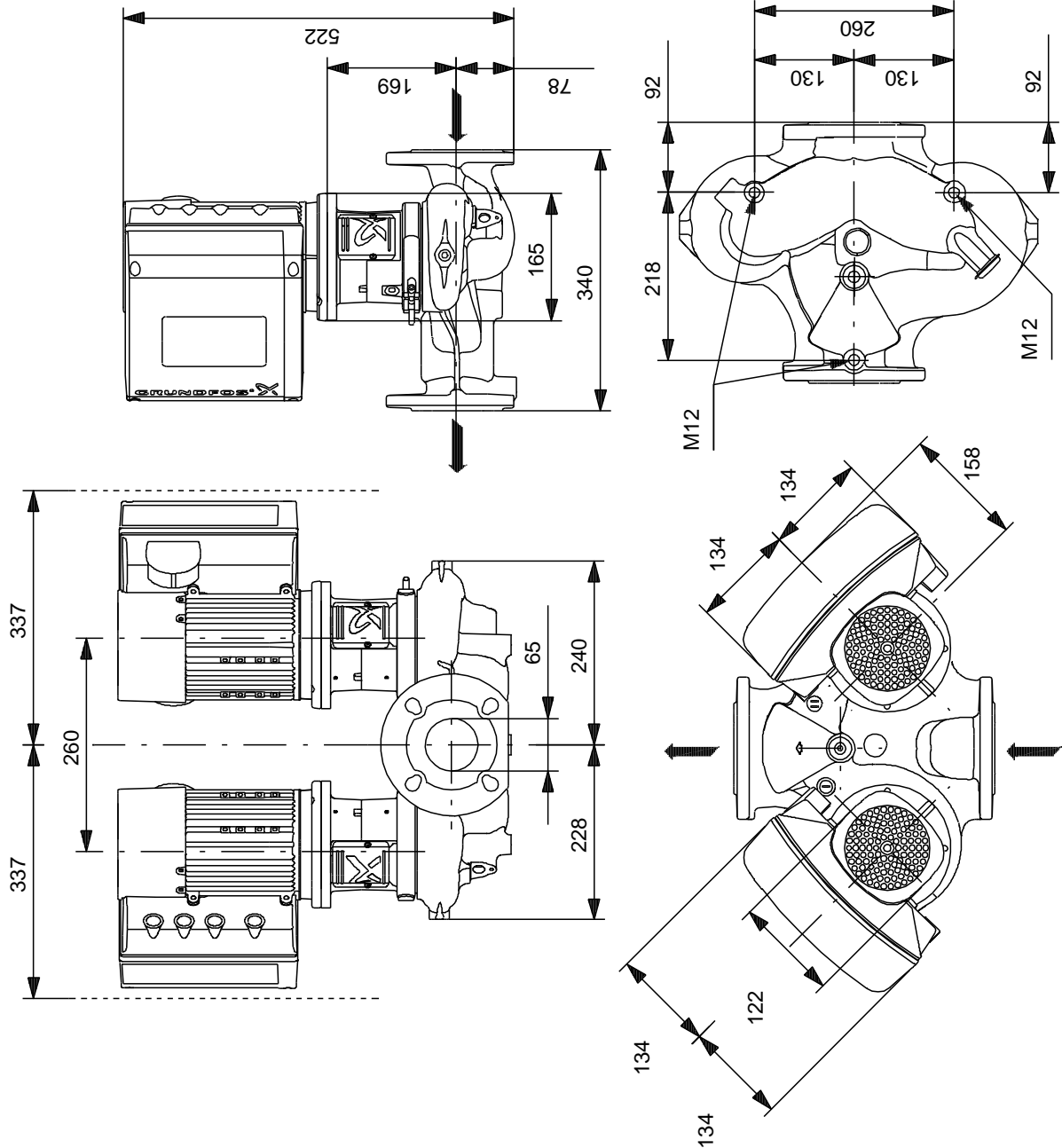
07/03/2019

| Description                        | Value                |
|------------------------------------|----------------------|
| Minimum efficiency index, MEI â%¥: | 0.7                  |
| ErP status:                        | EuP Standalone/Prod. |
| Net weight:                        | 58.6 kg              |
| Gross weight:                      | 71.9 kg              |
| Shipping volume:                   | 246 m³               |
| Config. file no:                   | 98484873             |
| Country of origin:                 | HU                   |
| Custom tariff no.:                 | 84137065             |

## 99272562 TPE3 D 65-180-S A-F-A-BQQE 50 Hz



## 99272562 TPE3 D 65-180-S A-F-A-BQQE 50 Hz



Note! All units are in [mm] unless others are stated.  
Disclaimer: This simplified dimensional drawing does not show all details.