

Qty. Description

1 TPE3 D 80-180-S A-F-A-BQQE



Note! Product picture may differ from actual product

Product No.: [99272529](#)

Single-stage, close-coupled, volute twin-head pump with in-line suction and discharge ports of identical diameter. The twin-head pump is designed with two parallel power-heads. The pump is of the top-pull-out design, i.e. the power head (motor, pump head and impeller) can be removed for maintenance or service while the pump housing remains in the pipework.

Each power head is fitted with an unbalanced rubber bellows seal. The shaft seal is according to EN 12756. Pipework connection is via PN 10 DIN flanges (EN 1092-2 and ISO 7005-2).

Each power head is fitted with a fan-cooled asynchronous motor of indential size. The pump is fitted with a combined temperature- and differential-pressure sensor.

Controls:

Frequency converter: Built-in

Liquid:

Pumped liquid: Water
 Liquid temperature range: -25 .. 120 °C
 Liquid temperature during operation: 20 °C
 Density: 998.2 kg/m³

Technical:

Pump speed on which pump data are based: 3900 rpm
 Rated flow: 48.9 m³/h
 Rated head: 12.6 m
 Actual impeller diameter: 90 mm
 Primary shaft seal: BQQE
 Curve tolerance: ISO9906:2012 3B

Materials:

Pump housing: Cast iron
 EN-JL1040
 ASTM A48-40 B
 Impeller: Composite PES/PP 30% GF

Installation:

Maximum operating pressure: 10 bar
 Max pressure at stated temp: 10 bar / 120 °C
 Flange standard: DIN
 Pipe connection: DN 80
 Pressure rating: PN 10
 Port-to-port length: 360 mm
 Flange size for motor: 56C



Company name:

Created by:

Phone:

Date:

07/03/2019

Qty.	Description
------	-------------

Others:

Minimum efficiency index, MEI η : 0.7

ErP status: EuP Standalone/Prod.

Net weight: 69.9 kg

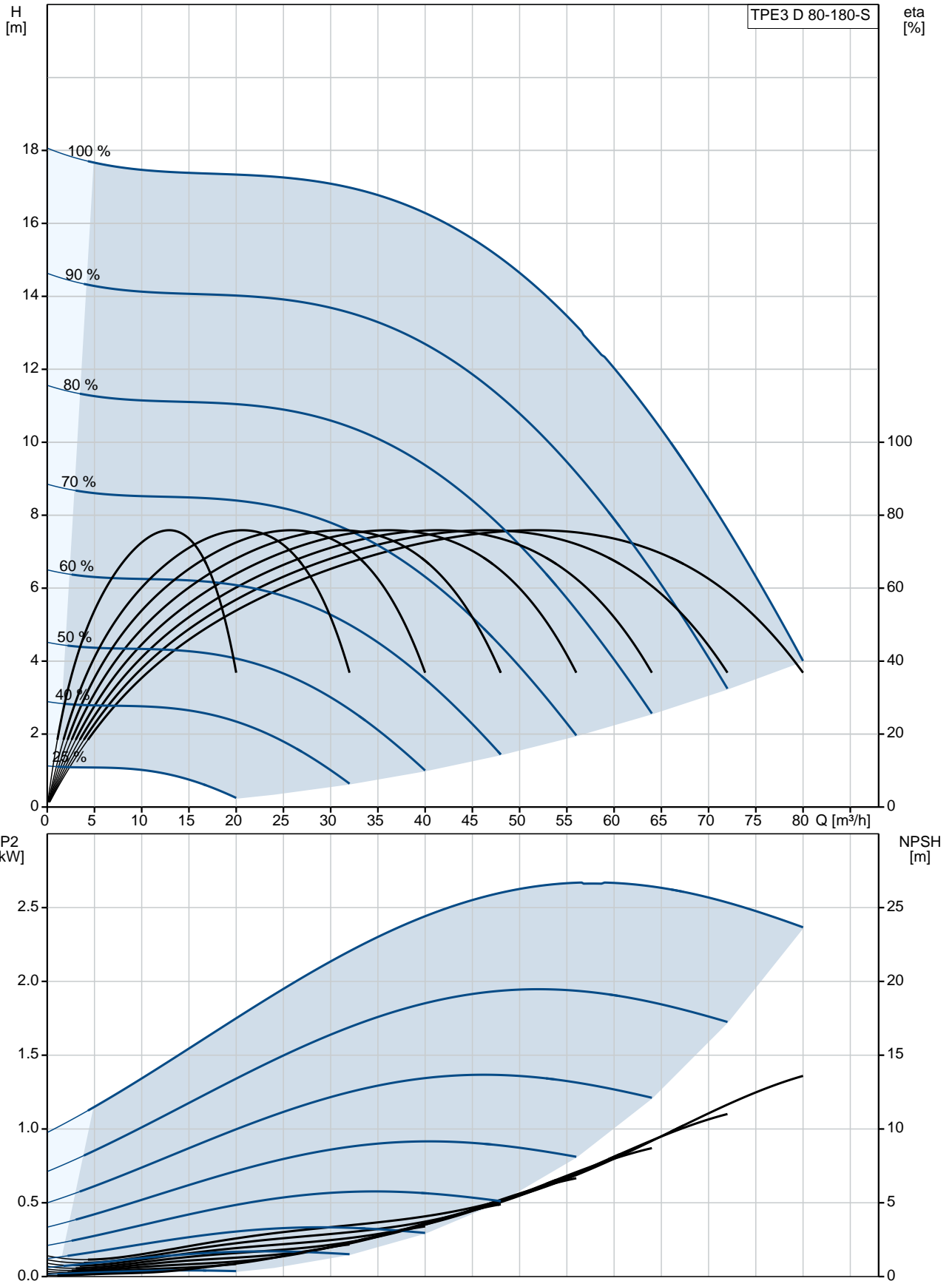
Gross weight: 83.1 kg

Shipping volume: 246 m³

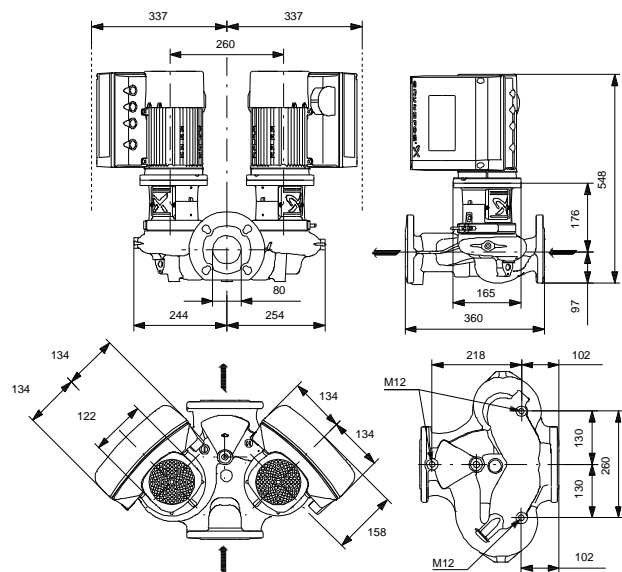
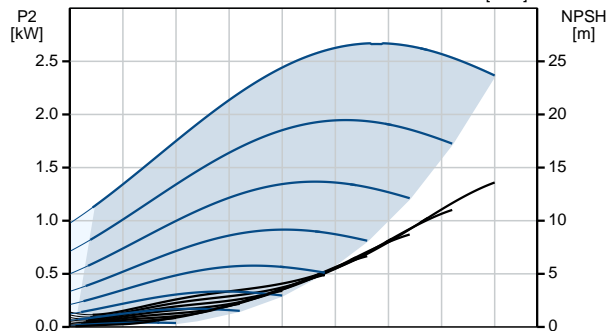
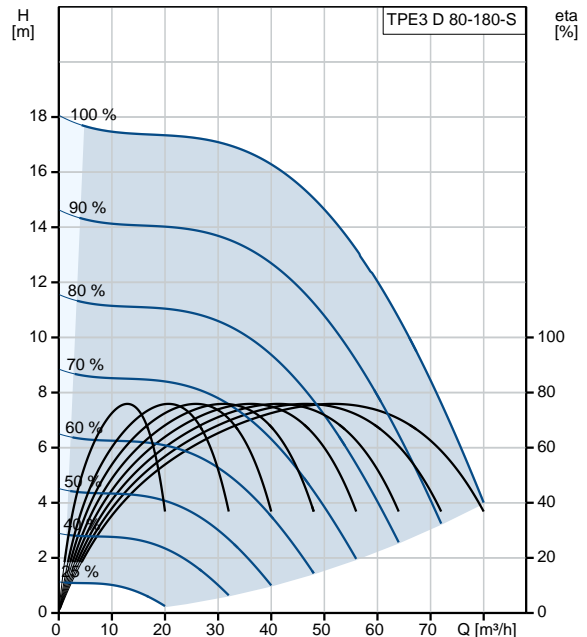
Country of origin: HU

Custom tariff no.: 84137065

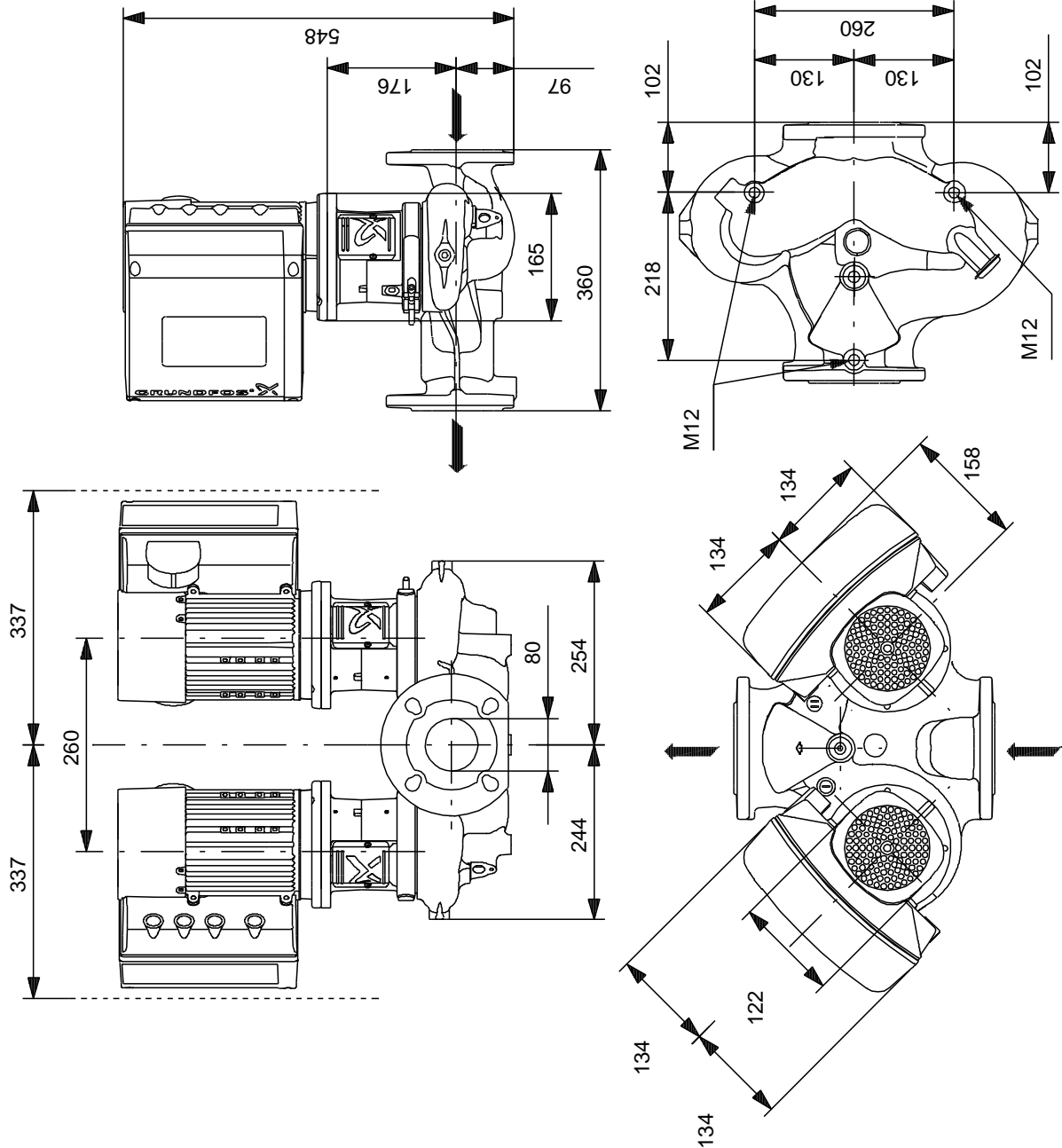
99272529 TPE3 D 80-180-S A-F-A-BQQE 50 Hz



Description	Value
General information:	
Product name:	TPE3 D 80-180-S A-F-A-BQQE
Product No:	99272529
EAN number:	5713826366094
Price:	7.438,00 GBP
Technical:	
Pump speed on which pump data are based:	3900 rpm
Rated flow:	48.9 m ³ /h
Rated head:	12.6 m
Head max:	180 dm
Actual impeller diameter:	90 mm
Primary shaft seal:	BQQE
Curve tolerance:	ISO9906:2012 3B
Pump version:	A
Model:	A
Materials:	
Pump housing:	Cast iron EN-JL1040 ASTM A48-40 B
Impeller:	Composite PES/PP 30% GF
Material code:	A
Installation:	
Maximum operating pressure:	10 bar
Max pressure at stated temp:	10 bar / 120 °C
Flange standard:	DIN
Pipe connection:	DN 80
Pressure rating:	PN 10
Port-to-port length:	360 mm
Flange size for motor:	56C
Connect code:	F
Liquid:	
Pumped liquid:	Water
Liquid temperature range:	-25 .. 120 °C
Liquid temperature during operation:	20 °C
Density:	998.2 kg/m ³
Controls:	
Frequency converter:	Built-in
Others:	
Minimum efficiency index, MEI $\hat{a}\%_{\text{o}}\text{¥}$:	0.7
ErP status:	EuP Standalone/Prod.
Net weight:	69.9 kg
Gross weight:	83.1 kg
Shipping volume:	246 m ³
Config. file no.:	98484881
Country of origin:	HU
Custom tariff no.:	84137065



99272529 TPE3 D 80-180-S A-F-A-BQQE 50 Hz



Note! All units are in [mm] unless others are stated.
Disclaimer: This simplified dimensional drawing does not show all details.