

Qty. Description

1 **MAGNA1 D 100-40 F**



Note! Product picture may differ from actual product

Product No.: [99221448](#)

The new MAGNA1 is the simple option for a job well done. It is the perfect choice when replacing older circulators and due to its compliance with the EuP 2015 regulations, substantial savings on electricity is a reality. The ideal choice for basic performance needs in applications where basic system control and monitoring is desired.

- Monitoring via the fault relay, ensuring peace of mind
- Digital start/stop input available for remote pump control
- Continuous operation and reduced downtime with the wireless twin pump function (available on twin-head pumps)
- High energy efficiency resulting in substantial savings on electricity
- Easy setup and operation via the simple user interface
- No maintenance due to the canned-rotor type design.

MAGNA1 is the simple and efficient choice for most applications including

- Heating
 - Main pump
 - Mixing loops
 - Heating surfaces
- Cooling
 - Air conditioning surfaces
 - Ground source heat pump systems
 - Smaller chiller applications

Liquid:

Pumped liquid: Water
 Liquid temperature range: -10 .. 110 °C
 Liquid temperature during operation: 60 °C
 Density: 983.2 kg/m³

Technical:

TF class: 110
 Approvals on nameplate: CE,VDE,EAC,CN ROHS,WEEE

Materials:

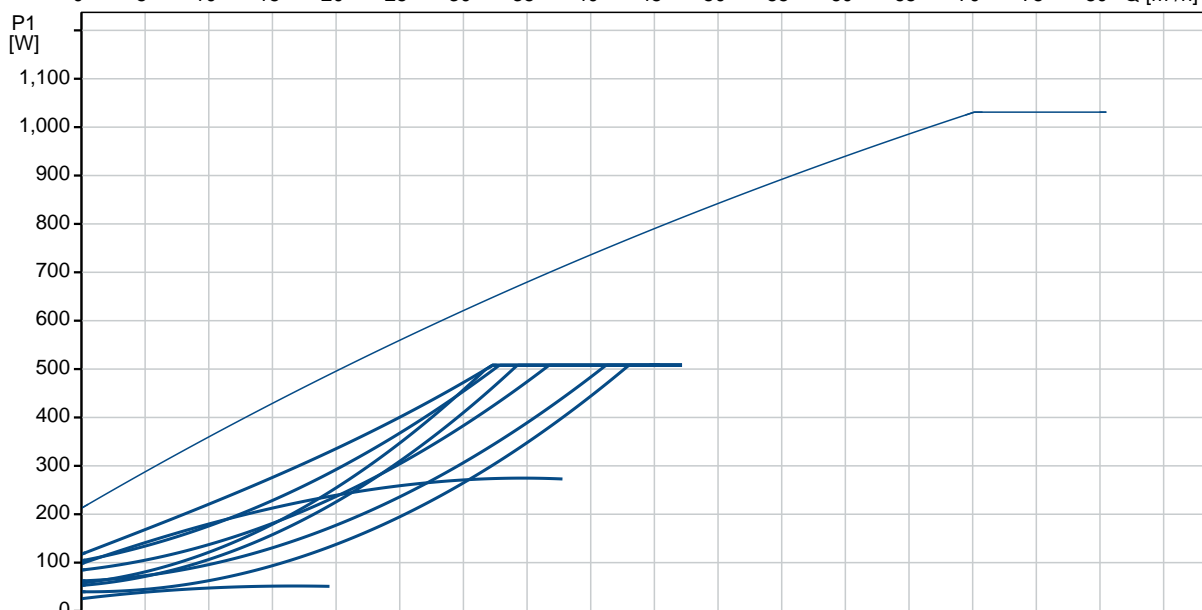
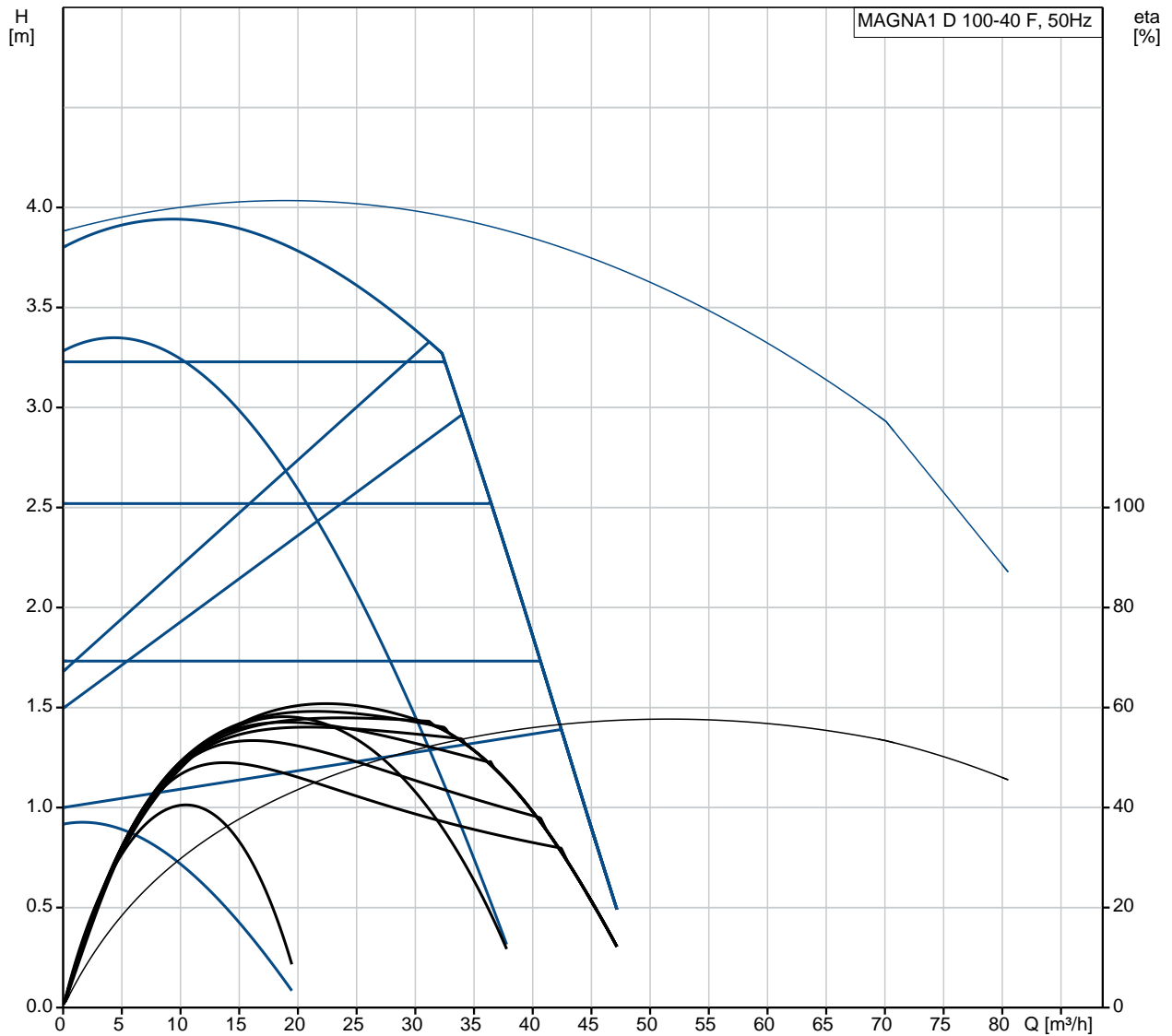
Pump housing: Cast iron
 EN-GJL-250
 ASTM A48-250B
 Impeller: PES 30%GF

Installation:

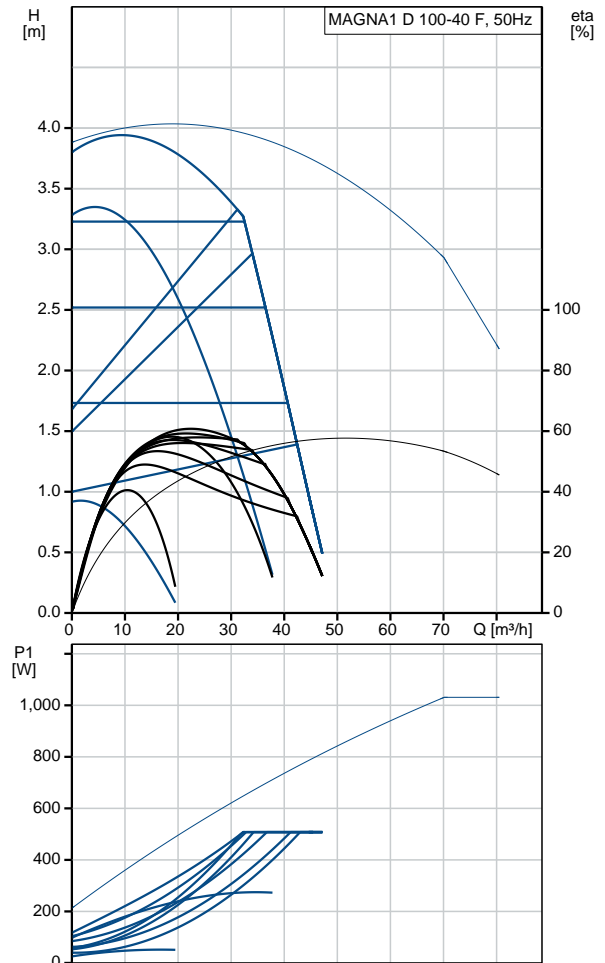
Range of ambient temperature: 0 .. 40 °C
 Maximum operating pressure: 6 bar
 Flange standard: DIN
 Pipe connection: DN 100
 Pressure rating: PN6
 Port-to-port length: 450 mm

Qty.	Description																								
	<p>Electrical data:</p> <table><tr><td>Power input - P1:</td><td>25.7 .. 518 W</td></tr><tr><td>Mains frequency:</td><td>50 Hz</td></tr><tr><td>Rated voltage:</td><td>1 x 230 V</td></tr><tr><td>Maximum current consumption:</td><td>0.27 .. 2.3 A</td></tr><tr><td>Enclosure class (IEC 34-5):</td><td>X4D</td></tr><tr><td>Insulation class (IEC 85):</td><td>F</td></tr></table> <p>Others:</p> <table><tr><td>Energy (EEI):</td><td>0.19</td></tr><tr><td>Net weight:</td><td>60.1 kg</td></tr><tr><td>Gross weight:</td><td>69.8 kg</td></tr><tr><td>Shipping volume:</td><td>0.207 m³</td></tr><tr><td>Country of origin:</td><td>DE</td></tr><tr><td>Custom tariff no.:</td><td>84137030</td></tr></table>	Power input - P1:	25.7 .. 518 W	Mains frequency:	50 Hz	Rated voltage:	1 x 230 V	Maximum current consumption:	0.27 .. 2.3 A	Enclosure class (IEC 34-5):	X4D	Insulation class (IEC 85):	F	Energy (EEI):	0.19	Net weight:	60.1 kg	Gross weight:	69.8 kg	Shipping volume:	0.207 m ³	Country of origin:	DE	Custom tariff no.:	84137030
Power input - P1:	25.7 .. 518 W																								
Mains frequency:	50 Hz																								
Rated voltage:	1 x 230 V																								
Maximum current consumption:	0.27 .. 2.3 A																								
Enclosure class (IEC 34-5):	X4D																								
Insulation class (IEC 85):	F																								
Energy (EEI):	0.19																								
Net weight:	60.1 kg																								
Gross weight:	69.8 kg																								
Shipping volume:	0.207 m ³																								
Country of origin:	DE																								
Custom tariff no.:	84137030																								

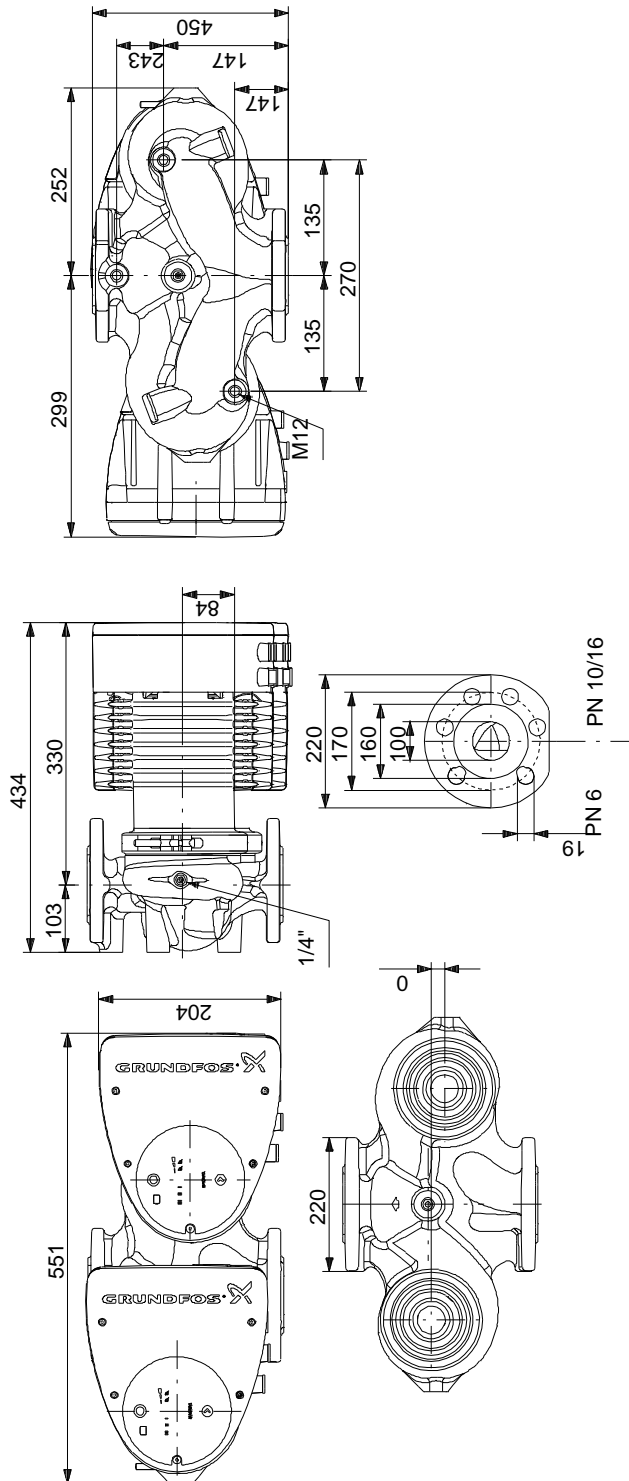
99221448 MAGNA1 D 100-40 F 50 Hz



Description	Value
General information:	
Product name:	MAGNA1 D 100-40 F
Product No:	99221448
EAN number:	5712608944208
Price:	3.669,00 GBP
Technical:	
Head max:	40 dm
TF class:	110
Approvals on nameplate:	CE, VDE, EAC, CN ROHS, WEEE
Model:	C
Materials:	
Pump housing:	Cast iron EN-GJL-250 ASTM A48-250B
Impeller:	PES 30%GF
Installation:	
Range of ambient temperature:	0 .. 40 °C
Maximum operating pressure:	6 bar
Flange standard:	DIN
Pipe connection:	DN 100
Pressure rating:	PN6
Port-to-port length:	450 mm
Liquid:	
Pumped liquid:	Water
Liquid temperature range:	-10 .. 110 °C
Liquid temperature during operation:	60 °C
Density:	983.2 kg/m ³
Electrical data:	
Power input - P1:	25.7 .. 518 W
Mains frequency:	50 Hz
Rated voltage:	1 x 230 V
Maximum current consumption:	0.27 .. 2.3 A
Enclosure class (IEC 34-5):	X4D
Insulation class (IEC 85):	F
Others:	
Energy (EEL):	0.19
Net weight:	60.1 kg
Gross weight:	69.8 kg
Shipping volume:	0.207 m ³
Country of origin:	DE
Custom tariff no.:	84137030



99221448 MAGNA1 D 100-40 F 50 Hz



Note! All units are in [mm] unless others are stated.
 Disclaimer: This simplified dimensional drawing does not show all details.

99221448 MAGNA1 D 100-40 F 50 Hz

Example of mains-connected motor
with mains switch, backup fuse and additional protection



Note! All units are in [mm] unless others are stated.