


Count	Description
1	<p data-bbox="225 338 427 367">MAGNA1 80-60 F</p> <div data-bbox="311 427 515 607" style="text-align: center;">  </div> <p data-bbox="225 660 491 689">Product No.: 99221406</p> <p data-bbox="225 689 1458 790">The new MAGNA1 is the simple option for a job well done. It is the perfect choice when replacing older circulators and due to its compliance with the EuP 2015 regulations, substantial savings on electricity is a reality. The ideal choice for basic performance needs in applications where basic system control and monitoring is desired.</p> <ul data-bbox="263 831 1347 1039" style="list-style-type: none"> • Monitoring via the fault relay, ensuring peace of mind • Digital start/stop input available for remote pump control • Continuous operation and reduced downtime with the wireless twin pump function (available on twin-head pumps) • High energy efficiency resulting in substantial savings on electricity • Easy setup and operation via the simple user interface • No maintenance due to the canned-rotor type design. <p data-bbox="225 1068 1034 1097">MAGNA1 is the simple and efficient choice for most applications including</p> <ul data-bbox="263 1097 727 1335" style="list-style-type: none"> • Heating <ul style="list-style-type: none"> - Main pump - Mixing loops - Heating surfaces • Cooling <ul style="list-style-type: none"> - Air conditioning surfaces - Ground source heat pump systems - Smaller chiller applications <p data-bbox="225 1395 312 1424">Liquid:</p> <p data-bbox="225 1424 657 1453">Pumped liquid: Water</p> <p data-bbox="225 1453 719 1482">Liquid temperature range: 14 .. 230 °F</p> <p data-bbox="225 1482 719 1512">Liquid temperature during operation: 140 °F</p> <p data-bbox="225 1512 708 1541">Density: 61.35 lb/ft³</p> <p data-bbox="225 1572 352 1601">Technical:</p> <p data-bbox="225 1601 632 1630">TF class: 110</p> <p data-bbox="225 1630 941 1659">Approvals on nameplate: CE,VDE,EAC,CN ROHS,WEEE</p> <p data-bbox="225 1691 344 1720">Materials:</p> <p data-bbox="225 1720 777 1807">Pump housing: Cast iron EN-GJL-250 ASTM A48-250B</p> <p data-bbox="225 1807 730 1836">Impeller: PES 30%GF</p> <p data-bbox="225 1868 368 1897">Installation:</p> <p data-bbox="225 1897 719 1926">Range of ambient temperature: 32 .. 104 °F</p> <p data-bbox="225 1926 657 1955">Maximum operating pressure: 87 psi</p> <p data-bbox="225 1955 632 1984">Flange standard: DIN</p> <p data-bbox="225 1984 657 2013">Pipe connection: DN 80</p> <p data-bbox="225 2013 639 2042">Pressure stage: PN6</p> <p data-bbox="225 2042 699 2072">Port-to-port length: 14 3/16 in</p>



Company name:

Created by:

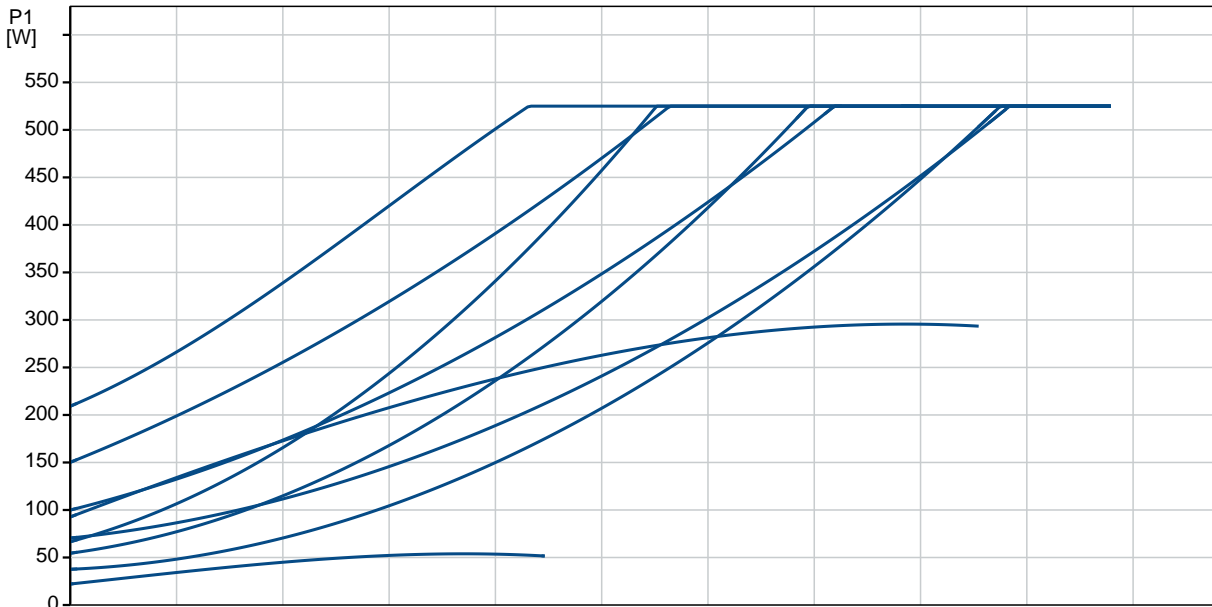
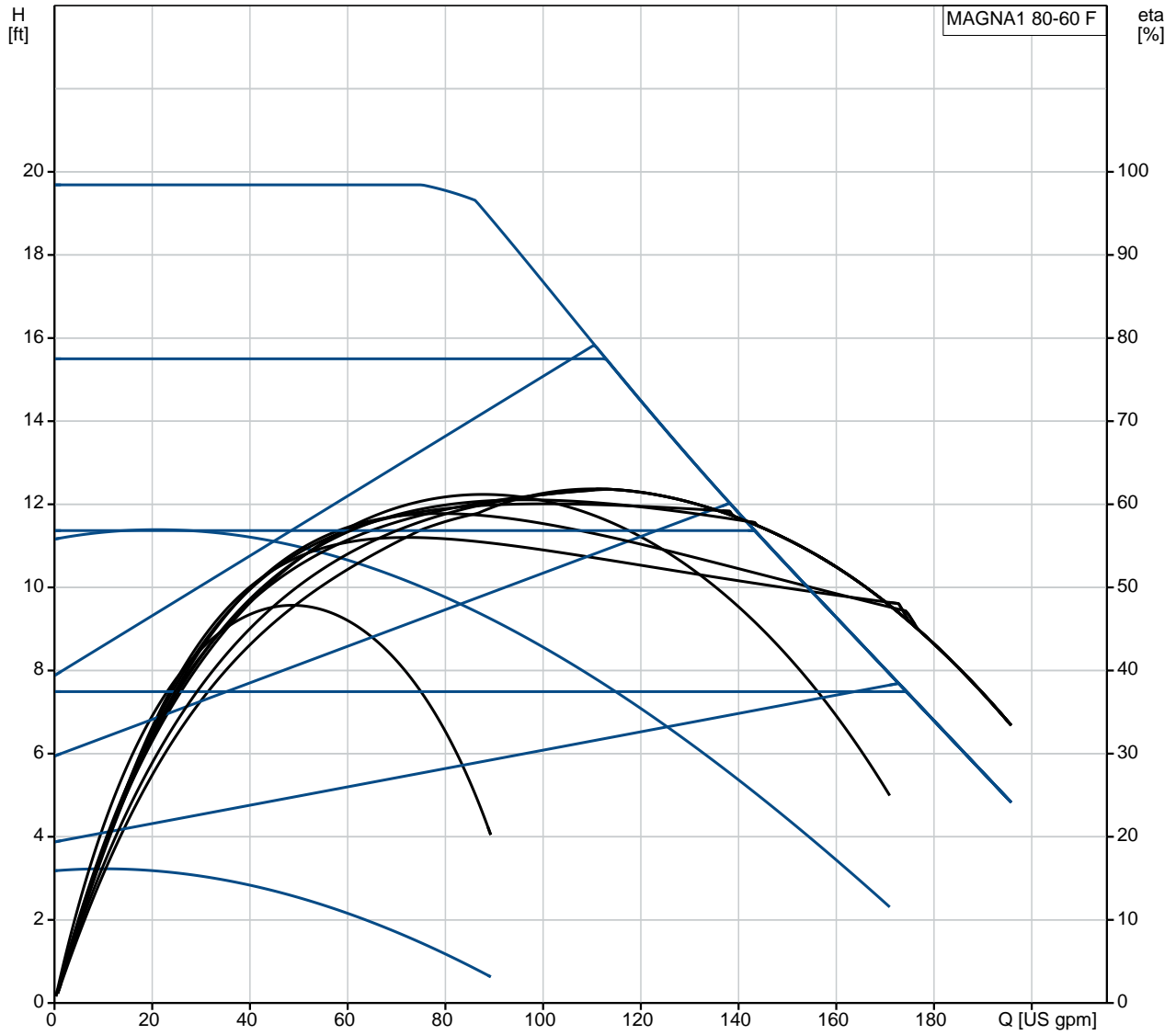
Phone:

Date:

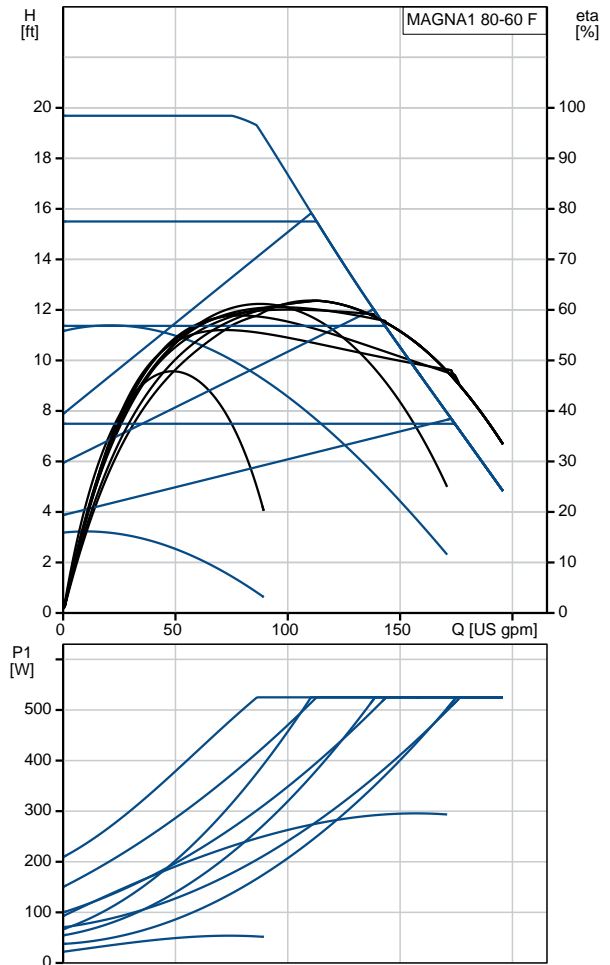
12/18/2018

Count	Description
	<p>Electrical data:</p> <p>Power input - P1: 23.56 .. 536 W Main frequency: 60 Hz Rated voltage: 1 x 230 V Maximum current consumption: 0.24 .. 2.37 A Enclosure class (IEC 34-5): X4D Insulation class (IEC 85): F</p> <p>Others:</p> <p>Energy (EEI): 0.20 Net weight: 59.8 lb Gross weight: 64.7 lb Shipping volume: 2.51 ft³ Country of origin: DE Custom tariff no.: 84137030</p>

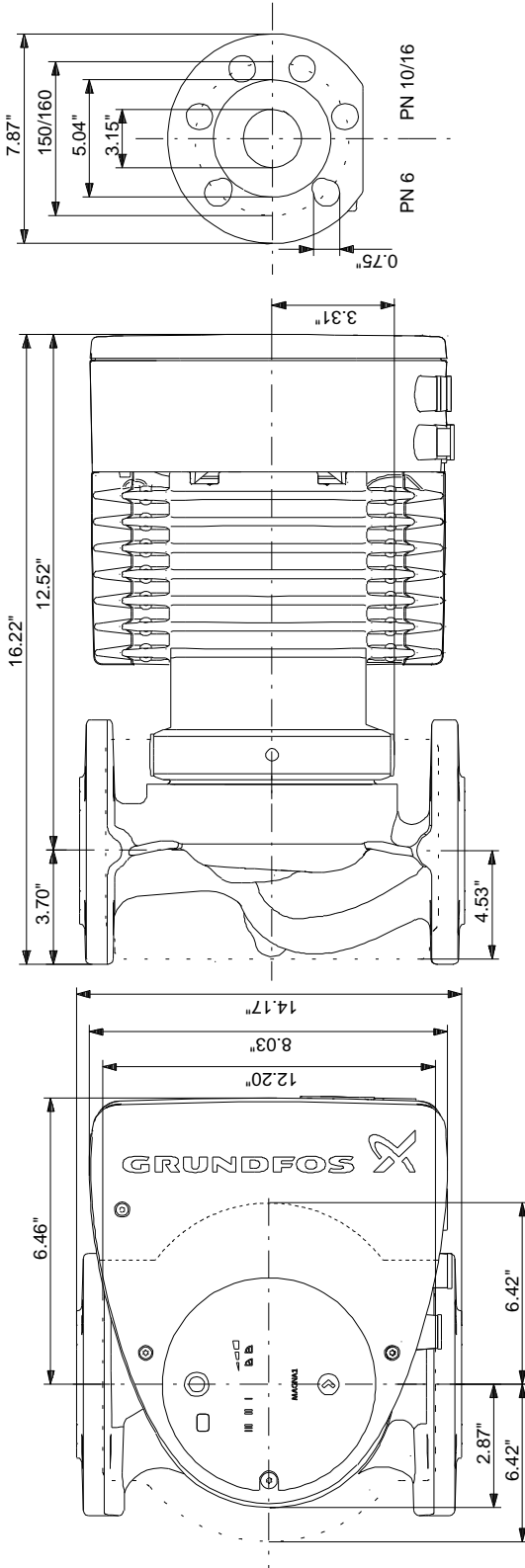
99221406 MAGNA1 80-60 F 60 Hz



Description	Value
General information:	
Product name:	MAGNA1 80-60 F
Product No.:	99221406
EAN:	5712608943782
Technical:	
Head max:	19.69 ft
TF class:	110
Approvals on nameplate:	CE, VDE, EAC, CN ROHS, WEEE
Model:	C
Materials:	
Pump housing:	Cast iron EN-GJL-250 ASTM A48-250B
Impeller:	PES 30%GF
Installation:	
Range of ambient temperature:	32 .. 104 °F
Maximum operating pressure:	87 psi
Flange standard:	DIN
Pipe connection:	DN 80
Pressure stage:	PN6
Port-to-port length:	14 3/16 in
Liquid:	
Pumped liquid:	Water
Liquid temperature range:	14 .. 230 °F
Liquid temperature during operation:	140 °F
Density:	61.35 lb/ft³
Electrical data:	
Power input - P1:	23.56 .. 536 W
Main frequency:	60 Hz
Rated voltage:	1 x 230 V
Maximum current consumption:	0.24 .. 2.37 A
Enclosure class (IEC 34-5):	X4D
Insulation class (IEC 85):	F
Others:	
Energy (EEI):	0.20
Net weight:	59.8 lb
Gross weight:	64.7 lb
Shipping volume:	2.51 ft³
Country of origin:	DE
Custom tariff no.:	84137030



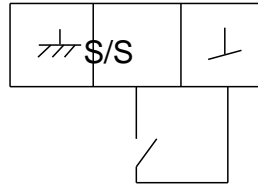
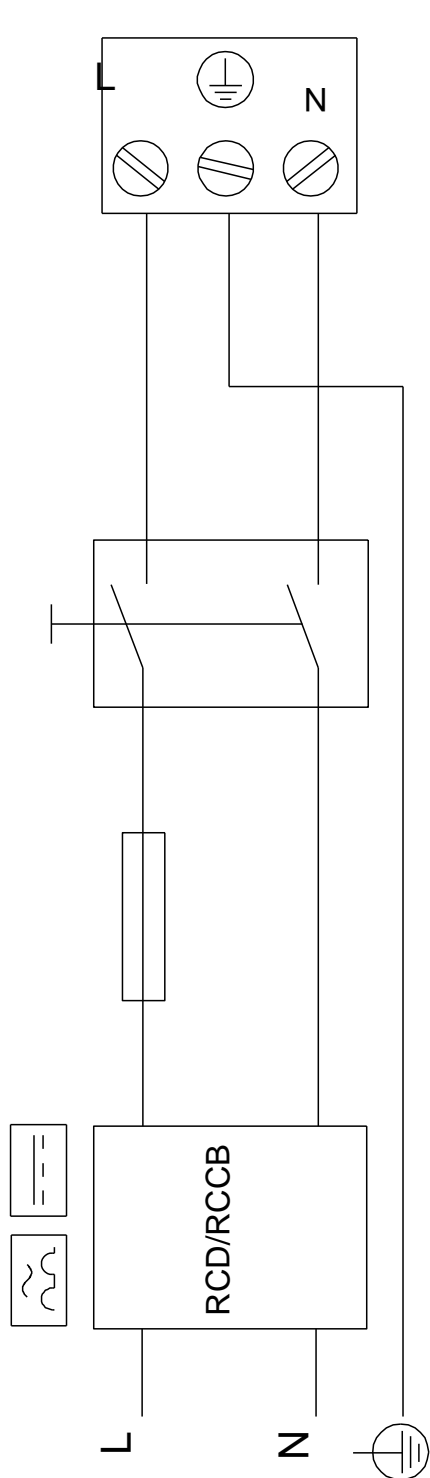
99221406 MAGNA1 80-60 F 60 Hz



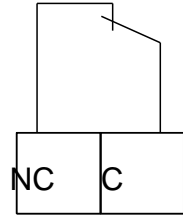
Note! All units are in [mm] unless otherwise stated.
 Disclaimer: This simplified dimensional drawing does not show all details.

99221406 MAGNA1 80-60 F 60 Hz

Example of mains-connected motor with mains switch, backup fuse and additional protection



Digital inputs



Relay outputs

All units are [mm] unless otherwise presented.