

**Qty. Description**

1 **MAGNA1 D 32-60**



**Note! Product picture may differ from actual product**

Product No.: [99221239](#)

The new MAGNA1 is the simple option for a job well done. It is the perfect choice when replacing older circulators and due to its compliance with the EuP 2015 regulations, substantial savings on electricity is a reality. The ideal choice for basic performance needs in applications where basic system control and monitoring is desired.

- Monitoring via the fault relay, ensuring peace of mind
- Digital start/stop input available for remote pump control
- Continuous operation and reduced downtime with the wireless twin pump function (available on twin-head pumps)
- High energy efficiency resulting in substantial savings on electricity
- Easy setup and operation via the simple user interface
- No maintenance due to the canned-rotor type design.

MAGNA1 is the simple and efficient choice for most applications including

- Heating
  - Main pump
  - Mixing loops
  - Heating surfaces
- Cooling
  - Air conditioning surfaces
  - Ground source heat pump systems
  - Smaller chiller applications

**Liquid:**

Pumped liquid: Water  
 Liquid temperature range: -10 .. 110 °C  
 Liquid temperature during operation: 60 °C  
 Density: 983.2 kg/m<sup>3</sup>

**Technical:**

TF class: 110  
 Approvals on nameplate: CE,VDE,EAC,CN ROHS,WEEE

**Materials:**

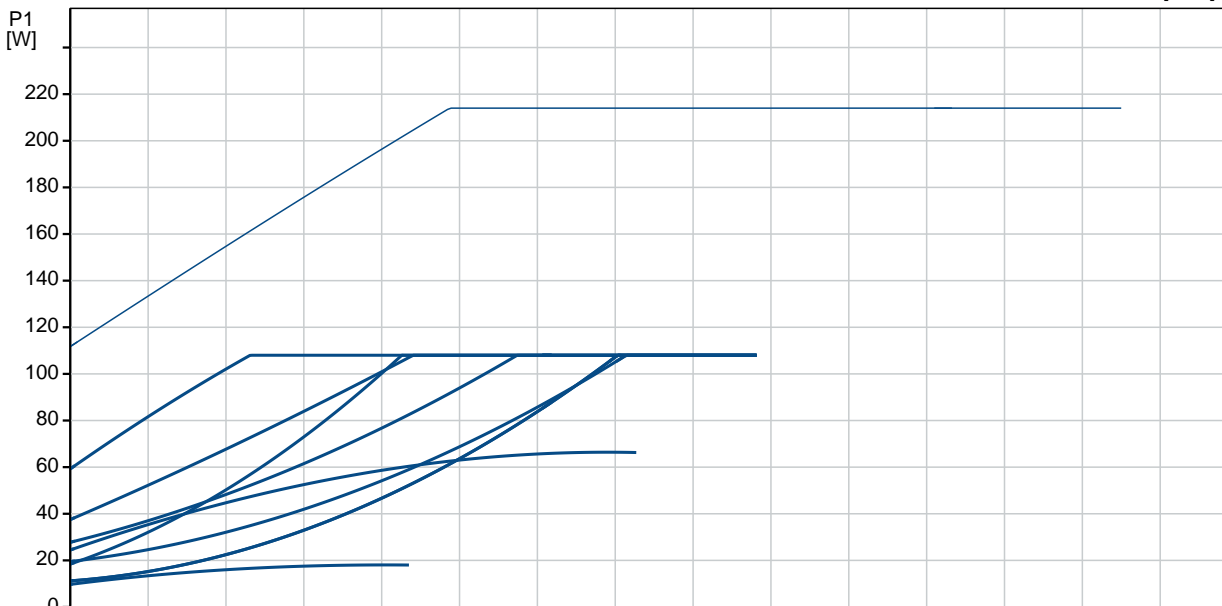
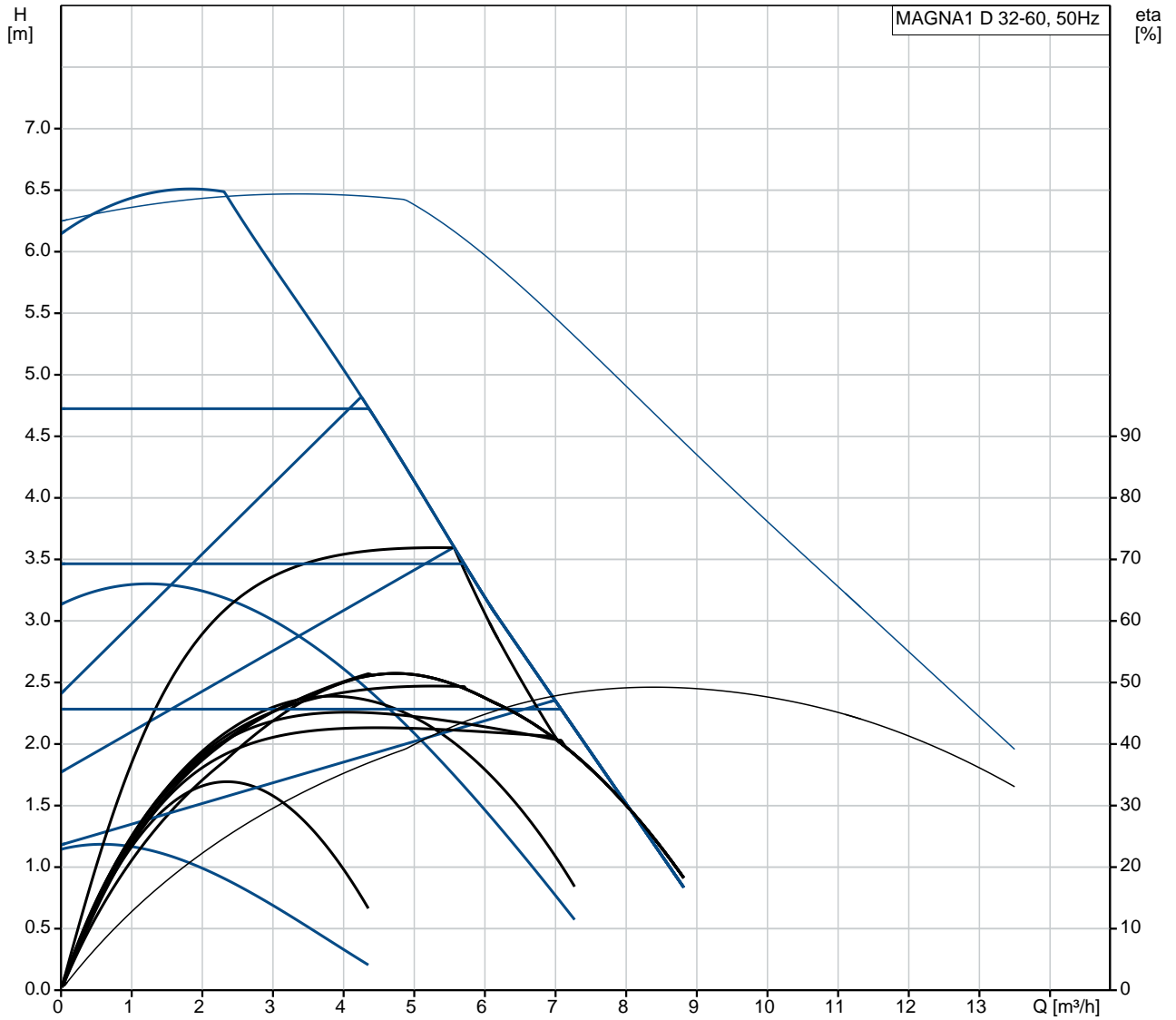
Pump housing: Cast iron  
 EN-GJL-200  
 ASTM A48-200B  
 Impeller: PES 30%GF

**Installation:**

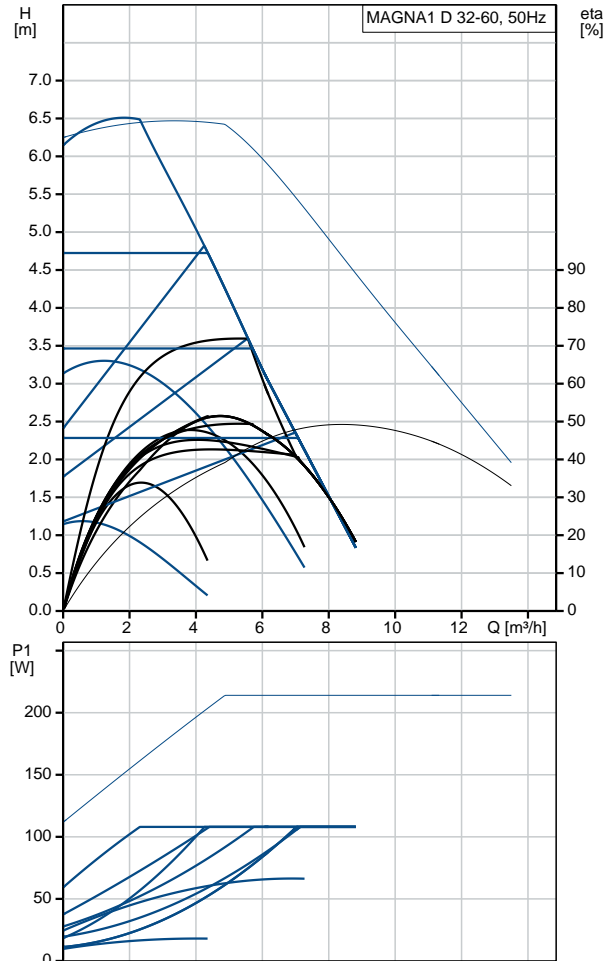
Range of ambient temperature: 0 .. 40 °C  
 Maximum operating pressure: 10 bar  
 Pipe connection: G 2"  
 Pressure rating: PN10  
 Port-to-port length: 180 mm

Qty.	Description
	<p><b>Electrical data:</b></p> <p>Power input - P1: 9 .. 111 W Mains frequency: 50 Hz Rated voltage: 1 x 230 V Maximum current consumption: 0.09 .. 0.9 A Enclosure class (IEC 34-5): X4D Insulation class (IEC 85): F</p> <p><b>Others:</b></p> <p>Energy (EEI): 0.23 Net weight: 11.1 kg Gross weight: 13 kg Shipping volume: 0.046 m<sup>3</sup> Country of origin: DE Custom tariff no.: 84137030</p>

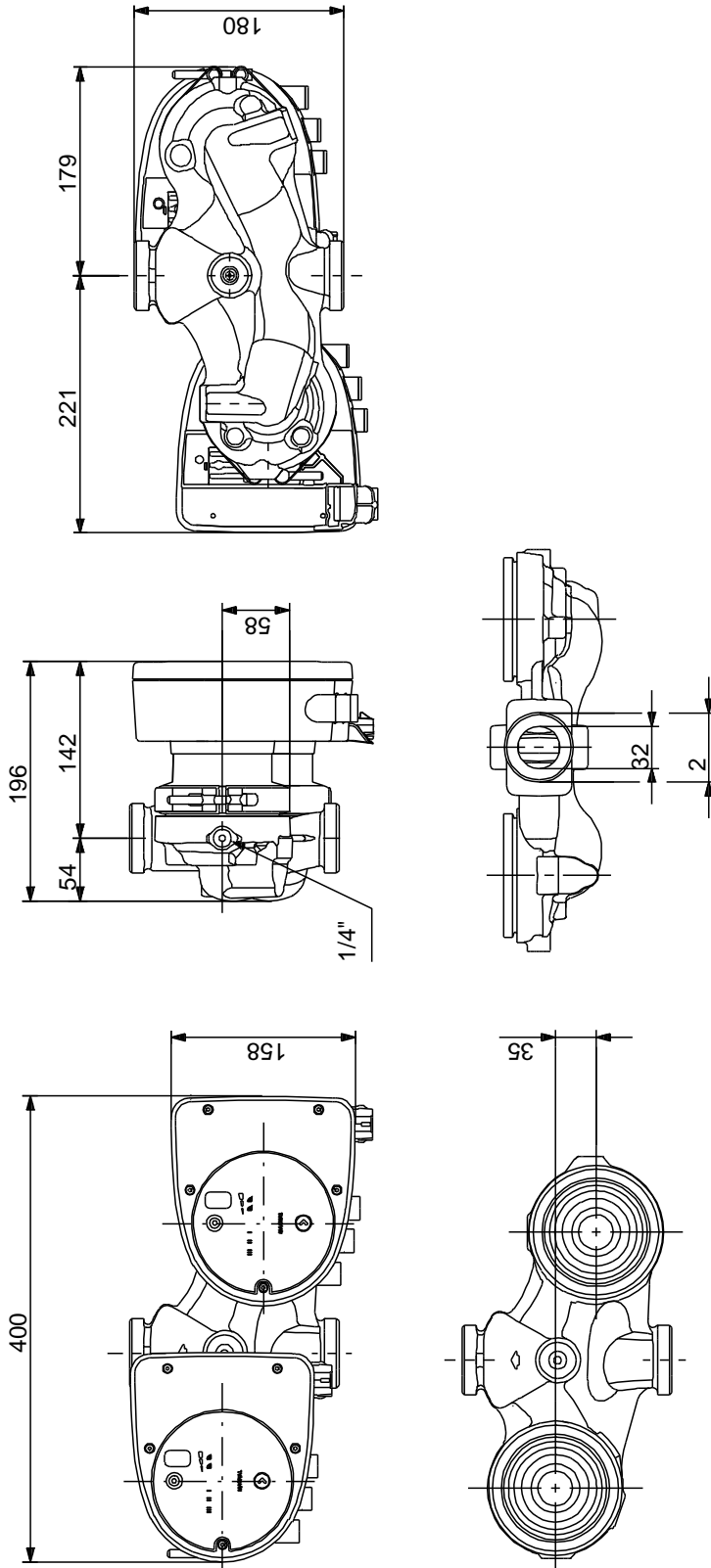
## 99221239 MAGNA1 D 32-60 50 Hz



Description	Value
<b>General information:</b>	
Product name:	MAGNA1 D 32-60
Product No:	99221239
EAN number:	5712608942129
Price:	1.160,00 GBP
<b>Technical:</b>	
Head max:	60 dm
TF class:	110
Approvals on nameplate:	CE, VDE, EAC, CN ROHS, WEEE
Model:	C
<b>Materials:</b>	
Pump housing:	Cast iron EN-GJL-200 ASTM A48-200B
Impeller:	PES 30%GF
<b>Installation:</b>	
Range of ambient temperature:	0 .. 40 °C
Maximum operating pressure:	10 bar
Pipe connection:	G 2"
Pressure rating:	PN10
Port-to-port length:	180 mm
<b>Liquid:</b>	
Pumped liquid:	Water
Liquid temperature range:	-10 .. 110 °C
Liquid temperature during operation:	60 °C
Density:	983.2 kg/m <sup>3</sup>
<b>Electrical data:</b>	
Power input - P1:	9 .. 111 W
Mains frequency:	50 Hz
Rated voltage:	1 x 230 V
Maximum current consumption:	0.09 .. 0.9 A
Enclosure class (IEC 34-5):	X4D
Insulation class (IEC 85):	F
<b>Others:</b>	
Energy (EEI):	0.23
Net weight:	11.1 kg
Gross weight:	13 kg
Shipping volume:	0.046 m <sup>3</sup>
Country of origin:	DE
Custom tariff no.:	84137030

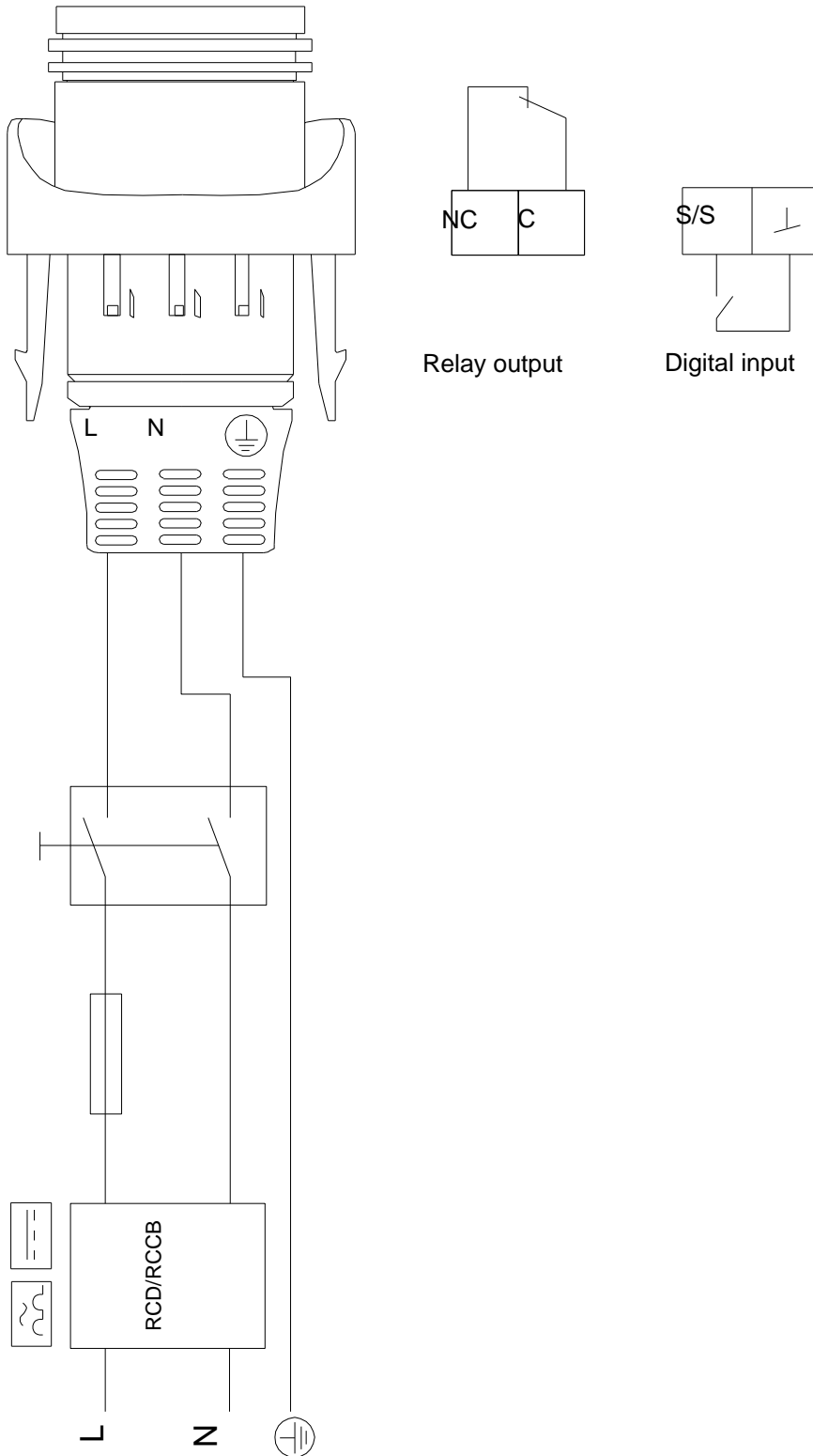


## 99221239 MAGNA1 D 32-60 50 Hz



Note! All units are in [mm] unless others are stated.  
Disclaimer: This simplified dimensional drawing does not show all details.

## 99221239 MAGNA1 D 32-60 50 Hz



Note! All units are in [mm] unless others are stated.