
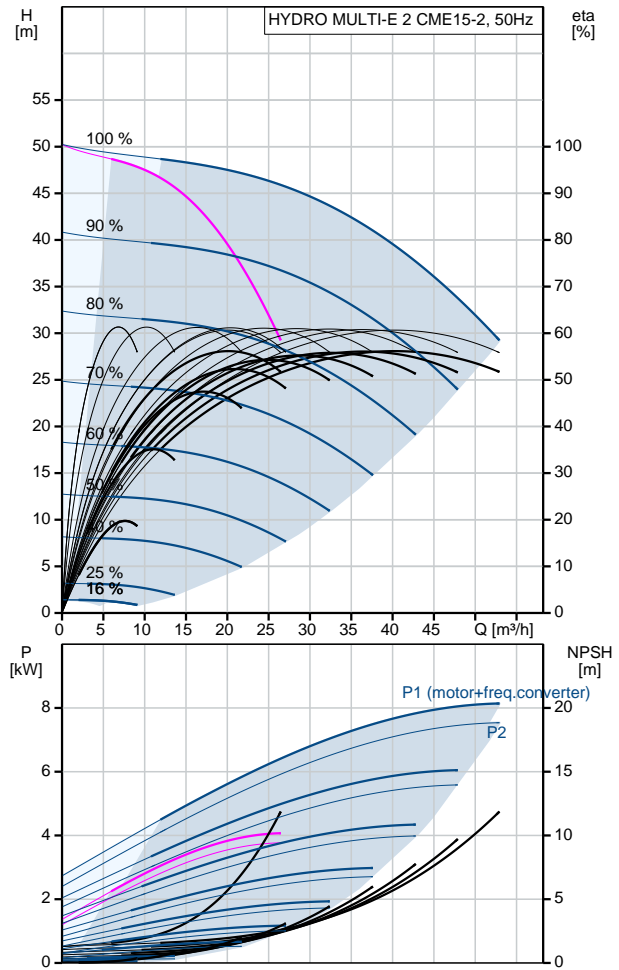


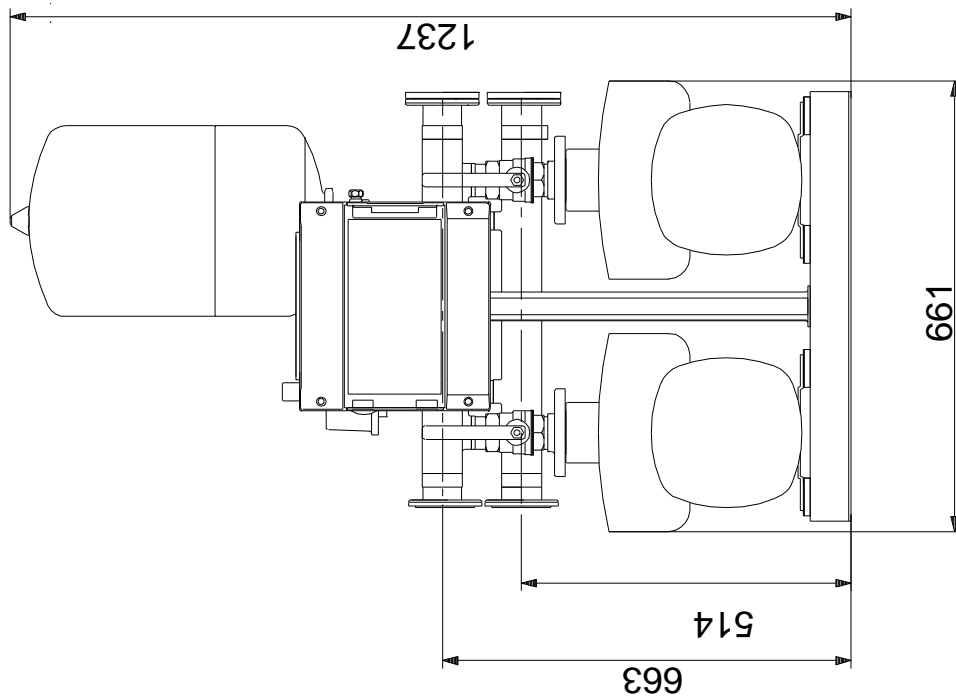
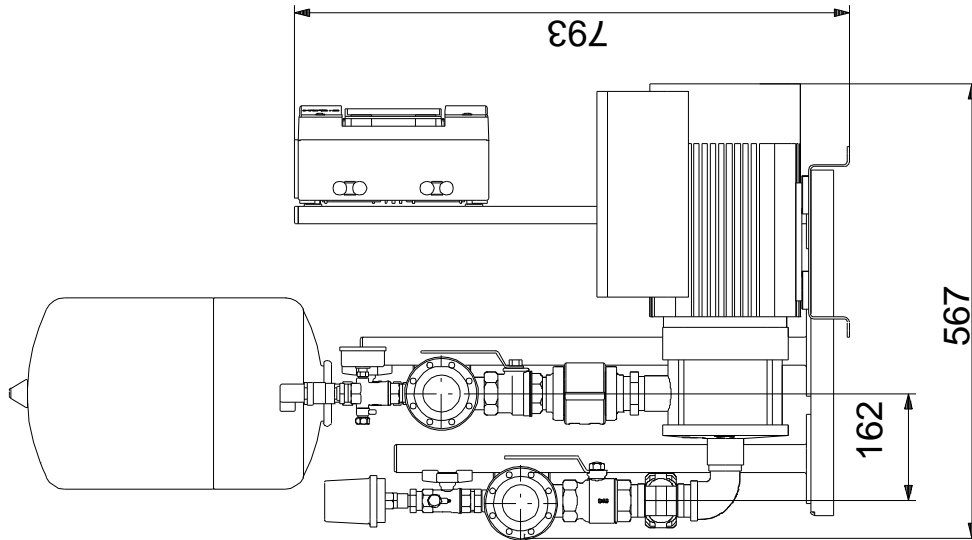
Position	Qty.	Description
	1	<p data-bbox="320 338 651 365"><b>HYDRO MULTI-E 2 CME15-2</b></p> <div data-bbox="408 394 592 618" style="text-align: center;">  </div> <p data-bbox="711 611 1193 633" style="text-align: center;"><b>Note! Product picture may differ from actual product</b></p> <p data-bbox="320 642 584 665">Product No.: <a href="#">99133627</a></p> <p data-bbox="320 701 1426 752">GRUNDFOS Hydro Multi-E booster sets are designed for the transfer and pressure boosting of clean water in waterworks, blocks of flats, hotels, industry, hospitals, schools, etc.</p> <p data-bbox="320 759 1442 810">GRUNDFOS Hydro Multi-E booster set consists of 2 to 3 CME pumps coupled in parallel and mounted on a common base frame provided with all the necessary fittings.</p> <p data-bbox="320 846 1378 875">Hydro Multi-E is mounted on a common base frame made of stainless steel (DIN W.-Nr. 1.4301).</p> <p data-bbox="320 880 1449 1001">On the suction side are fitted a suction manifold (DIN W.-Nr. 1.4401 or DIN W.-Nr. 1.4571) , a pressure switch mounted on a drainable valve and an isolating valve. On the discharge side of the pumps are fitted a non-return valve, an isolating valve, a pressure gauge, two pressure transmitters mounted on a drainable valve, a diaphragm tank and a stainless steel discharge manifold (DIN W.-Nr. 1.4401 or DIN W.-Nr. 1.4571).</p> <p data-bbox="320 1016 1083 1046">The Hydro Multi-E is fitted with an on/off-switch for the supply voltage.</p> <p data-bbox="320 1077 1398 1128">The Hydro Multi-E is designed for maintaining a constant pressure regardless of flow changes and fluctuation.</p> <p data-bbox="320 1164 1347 1216">The internal PI-controller regulates the number of running pumps and the speed of the pumps according to the required flow.</p> <p data-bbox="320 1252 1458 1303">The system can be operated directly on the panel of any of the pumps or via Grundfos GO (available as accessory)</p> <p data-bbox="320 1339 979 1606">Besides the system features:                  2 Digital outputs                  2 Digital inputs (one used for dry run protection)                  2 Analogue inputs (one used for discharge pressure sensor)                  Multi-Master functionality                  2 Limit functions                  Set-point influence function                  Pipe filling function                  High Efficient PM motors</p> <p data-bbox="320 1637 708 1666">Available communication protocols:</p> <ul data-bbox="320 1671 523 1937" style="list-style-type: none"> <li>•LON</li> <li>•Profibus</li> <li>•Modbus</li> <li>•SMS/GSM/GPRS</li> <li>•GRM</li> <li>•BACnet</li> <li>•BACnet IP</li> <li>•Modbus TCP</li> <li>•PROFINET</li> </ul> <p data-bbox="320 1973 1426 2002">When delivered, the GRUNDFOS Hydro Multi-E booster set is factory tested and ready for operation.</p> <p data-bbox="320 2060 405 2089"><b>Liquid:</b></p>

Position	Qty.	Description
		<p>Pumped liquid: Water</p> <p>Liquid temperature range: 5 .. 60 °C</p> <p>Liquid temperature during operation: 20 °C</p> <p>Density: 998.2 kg/m<sup>3</sup></p> <p><b>Materials:</b></p> <p>Pump housing: Stainless steel</p> <p><b>Installation:</b></p> <p>Maximum operating pressure: 10 bar</p> <p>Maximum inlet pressure: PN 10 bar</p> <p>Flange standard: DIN2642</p> <p>Manifold inlet: DN 80</p> <p>Manifold outlet: DN 80</p> <p><b>Electrical data:</b></p> <p>IE Efficiency class: IE5</p> <p>Power (P2) main pump: 4 kW</p> <p>Mains frequency: 50 Hz</p> <p>Rated voltage: 3 x 380-415 V</p> <p>Rated current: 15.2 A</p> <p>Start. method: electronically</p> <p>Enclosure class (IEC 34-5): IP54</p> <p><b>Tank:</b></p> <p>Volume of pressure tank: 33 l</p> <p>Diaphragm tank: Yes</p> <p><b>Others:</b></p> <p>Net weight: 155 kg</p> <p>Gross weight: 162 kg</p> <p>Shipping volume: 0.531 m<sup>3</sup></p> <p>Language: MULTI</p> <p>Country of origin: GB</p> <p>Custom tariff no.: 84137075</p>

Description	Value
<b>General information:</b>	
Product name:	HYDRO MULTI-E 2 CME15-2
Product No:	99133627
EAN number:	5712607367305
<b>Technical:</b>	
Min flow system:	1.7 m <sup>3</sup> /h
Max flow:	52.8 m <sup>3</sup> /h
Head max:	48 m
Pump name:	CME15-2
Number of pumps:	2
<b>Materials:</b>	
Pump housing:	Stainless steel
Manifolds:	Stainless steel
<b>Installation:</b>	
Maximum operating pressure:	10 bar
Maximum inlet pressure:	PN 10 bar
Flange standard:	DIN2642
Manifold inlet:	DN 80
Manifold outlet:	DN 80
<b>Liquid:</b>	
Pumped liquid:	Water
Liquid temperature range:	5 .. 60 °C
Liquid temperature during operation:	20 °C
Density:	998.2 kg/m <sup>3</sup>
<b>Electrical data:</b>	
IE Efficiency class:	IE5
Power (P2) main pump:	4 kW
Mains frequency:	50 Hz
Rated voltage:	3 x 380-415 V
Rated current:	15.2 A
Start. method:	electronically
Enclosure class (IEC 34-5):	IP54
<b>Tank:</b>	
Volume of pressure tank:	33 l
Diaphragm tank:	Yes
<b>Others:</b>	
Net weight:	155 kg
Gross weight:	162 kg
Shipping volume:	0.531 m <sup>3</sup>
Language:	MULTI
Product range:	International
Country of origin:	GB
Custom tariff no.:	84137075

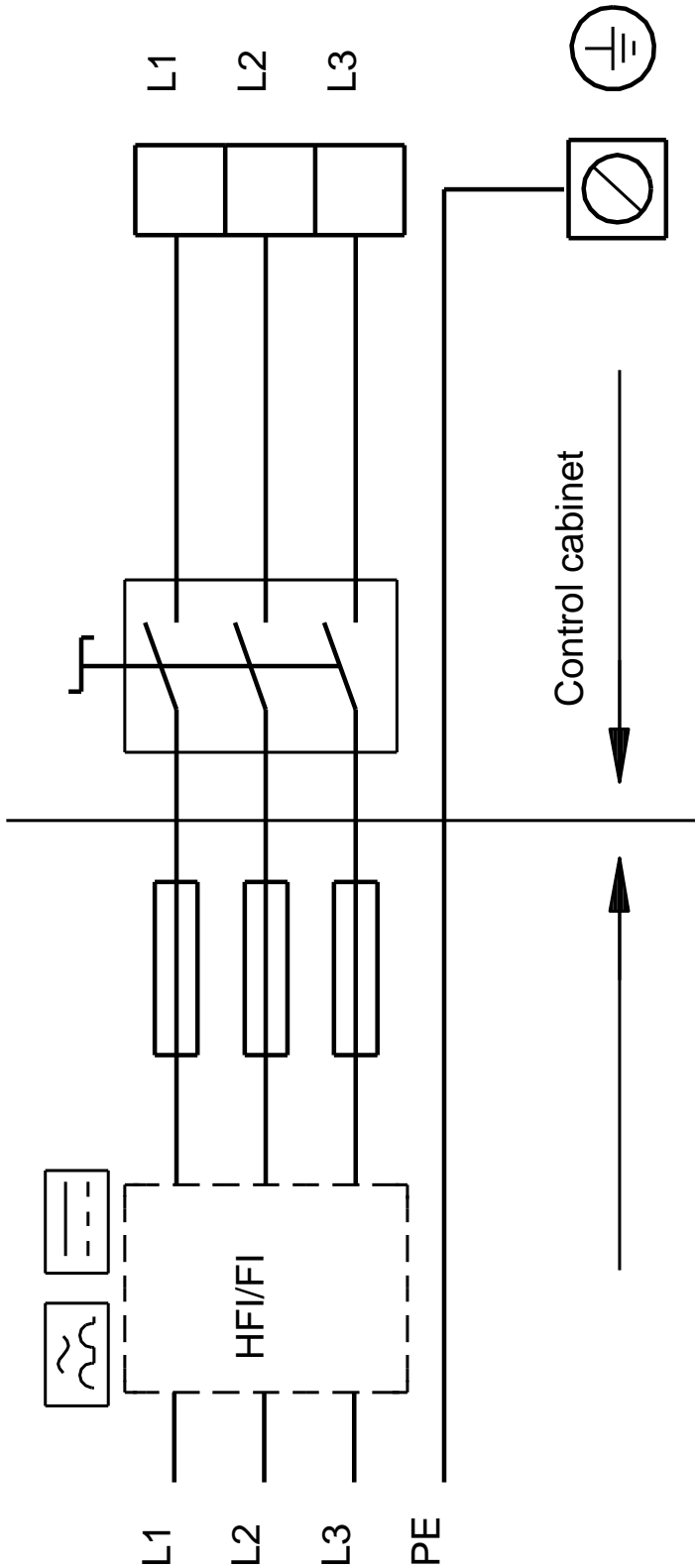


## 99133627 HYDRO MULTI-E 2 CME15-2 50 Hz



Note! All units are in [mm] unless others are stated.  
Disclaimer: This simplified dimensional drawing does not show all details.

## 99133627 HYDRO MULTI-E 2 CME15-2 50 Hz



Note! All units are in [mm] unless others are stated.