
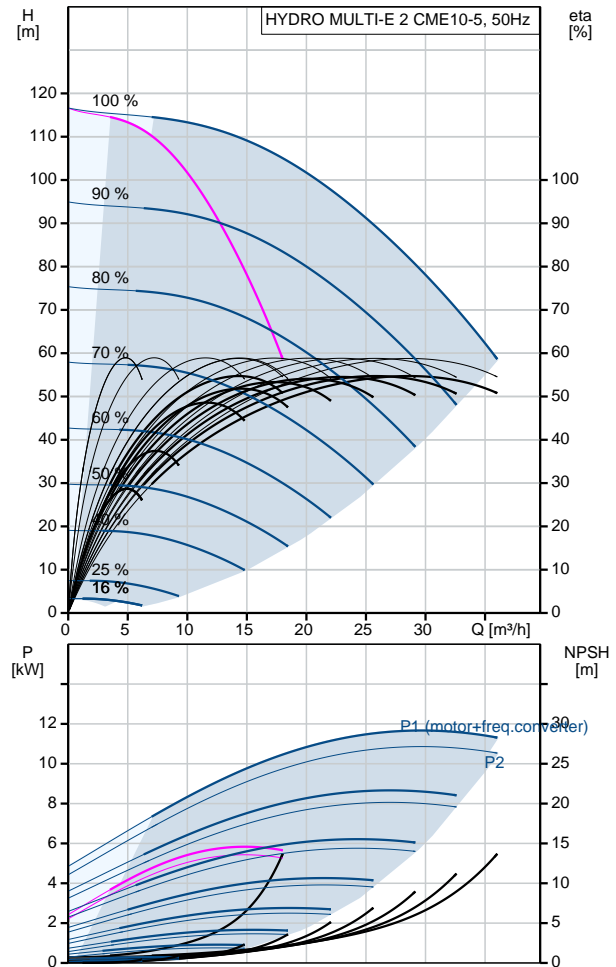


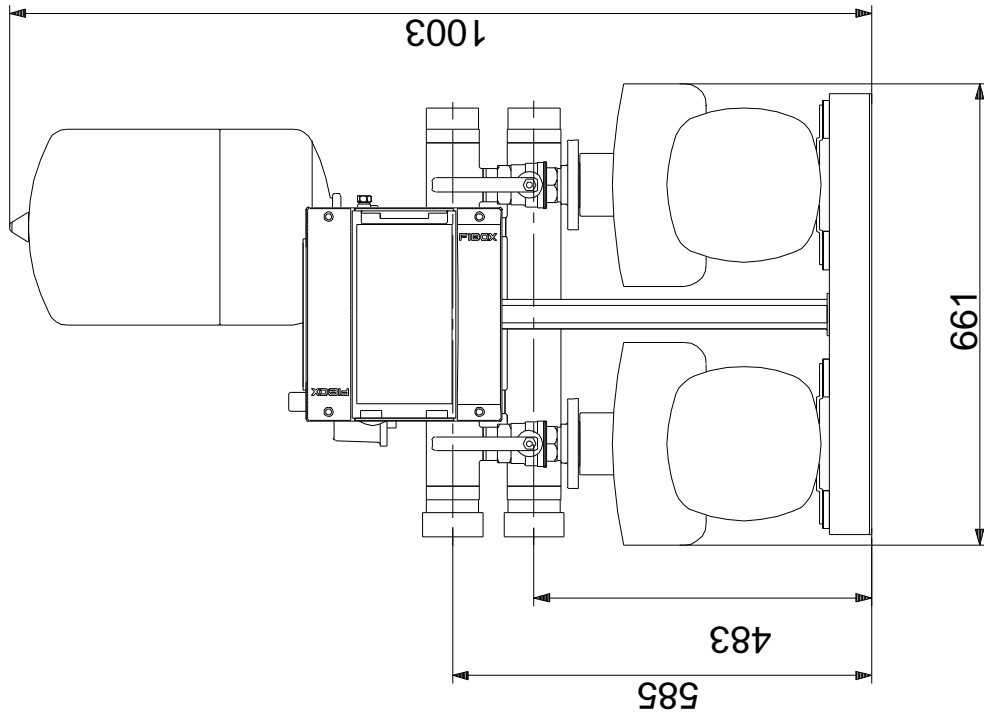
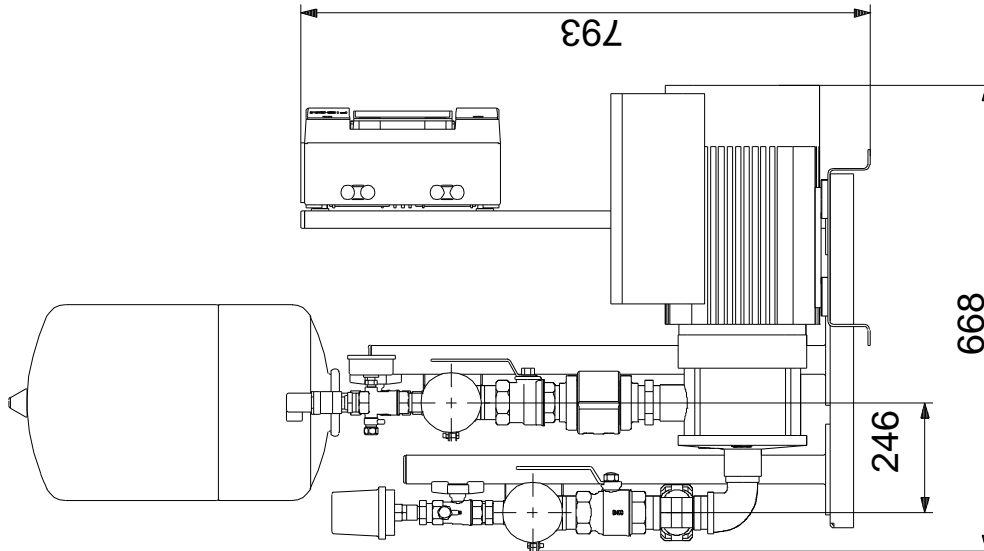
Position	Qty.	Description
	1	<p><b>HYDRO MULTI-E 2 CME10-5</b></p>  <p style="text-align: center;"><b>Note! Product picture may differ from actual product</b></p> <p>Product No.: <a href="#">99133622</a></p> <p>GRUNDFOS Hydro Multi-E booster sets are designed for the transfer and pressure boosting of clean water in waterworks, blocks of flats, hotels, industry, hospitals, schools, etc. GRUNDFOS Hydro Multi-E booster set consists of 2 to 3 CME pumps coupled in parallel and mounted on a common base frame provided with all the necessary fittings.</p> <p>Hydro Multi-E is mounted on a common base frame made of stainless steel (DIN W.-Nr. 1.4301). On the suction side are fitted a suction manifold (DIN W.-Nr. 1.4401 or DIN W.-Nr. 1.4571) , a pressure switch mounted on a drainable valve and an isolating valve. On the discharge side of the pumps are fitted a non-return valve, an isolating valve, a pressure gauge, two pressure transmitters mounted on a drainable valve, a diaphragm tank and a stainless steel discharge manifold (DIN W.-Nr. 1.4401 or DIN W.-Nr. 1.4571).</p> <p>The Hydro Multi-E is fitted with an on/off-switch for the supply voltage.</p> <p>The Hydro Multi-E is designed for maintaining a constant pressure regardless of flow changes and fluctuation.</p> <p>The internal PI-controller regulates the number of running pumps and the speed of the pumps according to the required flow.</p> <p>The system can be operated directly on the panel of any of the pumps or via Grundfos GO (available as accessory)</p> <p>Besides the system features:</p> <ul style="list-style-type: none"> <li>2 Digital outputs</li> <li>2 Digital inputs (one used for dry run protection)</li> <li>2 Analogue inputs (one used for discharge pressure sensor)</li> <li>Multi-Master functionality</li> <li>2 Limit functions</li> <li>Set-point influence function</li> <li>Pipe filling function</li> <li>High Efficient PM motors</li> </ul> <p>Available communication protocols:</p> <ul style="list-style-type: none"> <li>•LON</li> <li>•Profibus</li> <li>•Modbus</li> <li>•SMS/GSM/GPRS</li> <li>•GRM</li> <li>•BACnet</li> <li>•BACnet IP</li> <li>•Modbus TCP</li> <li>•PROFINET</li> </ul> <p>When delivered, the GRUNDFOS Hydro Multi-E booster set is factory tested and ready for operation.</p> <p><b>Liquid:</b></p>

Position	Qty.	Description
		<p>Pumped liquid: Water            Liquid temperature range: 5 .. 60 °C            Liquid temperature during operation: 20 °C            Density: 998.2 kg/m³</p> <p><b>Materials:</b>            Pump housing: Stainless steel</p> <p><b>Installation:</b>            Maximum operating pressure: 16 bar            Maximum inlet pressure: PN 16 bar            Flange standard: DIN ISO 7/1            Manifold inlet: R 2 1/2            Manifold outlet: R 2 1/2</p> <p><b>Electrical data:</b>            IE Efficiency class: IE5            Power (P2) main pump: 5.5 kW            Mains frequency: 50 Hz            Rated voltage: 3 x 380-415 V            Rated current: 20.6 A            Start. method: electronically            Enclosure class (IEC 34-5): IP54</p> <p><b>Tank:</b>            Volume of pressure tank: 12 l            Diaphragm tank: Yes</p> <p><b>Others:</b>            Net weight: 151 kg            Gross weight: 158 kg            Shipping volume: 0.467 m³            Language: MULTI            Country of origin: GB            Custom tariff no.: 84137075</p>

Description	Value
<b>General information:</b>	
Product name:	HYDRO MULTI-E 2 CME10-5
Product No:	99133622
EAN number:	5712607367244
<b>Technical:</b>	
Min flow system:	1 m <sup>3</sup> /h
Max flow:	36 m <sup>3</sup> /h
Head max:	112 m
Pump name:	CME10-5
Number of pumps:	2
<b>Materials:</b>	
Pump housing:	Stainless steel
Manifolds:	Stainless steel
<b>Installation:</b>	
Maximum operating pressure:	16 bar
Maximum inlet pressure:	PN 16 bar
Flange standard:	DIN ISO 7/1
Manifold inlet:	R 2 1/2
Manifold outlet:	R 2 1/2
<b>Liquid:</b>	
Pumped liquid:	Water
Liquid temperature range:	5 .. 60 °C
Liquid temperature during operation:	20 °C
Density:	998.2 kg/m <sup>3</sup>
<b>Electrical data:</b>	
IE Efficiency class:	IE5
Power (P2) main pump:	5.5 kW
Mains frequency:	50 Hz
Rated voltage:	3 x 380-415 V
Rated current:	20.6 A
Start. method:	electronically
Enclosure class (IEC 34-5):	IP54
<b>Tank:</b>	
Volume of pressure tank:	12 l
Diaphragm tank:	Yes
<b>Others:</b>	
Net weight:	151 kg
Gross weight:	158 kg
Shipping volume:	0.467 m <sup>3</sup>
Language:	MULTI
Product range:	International
Country of origin:	GB
Custom tariff no.:	84137075

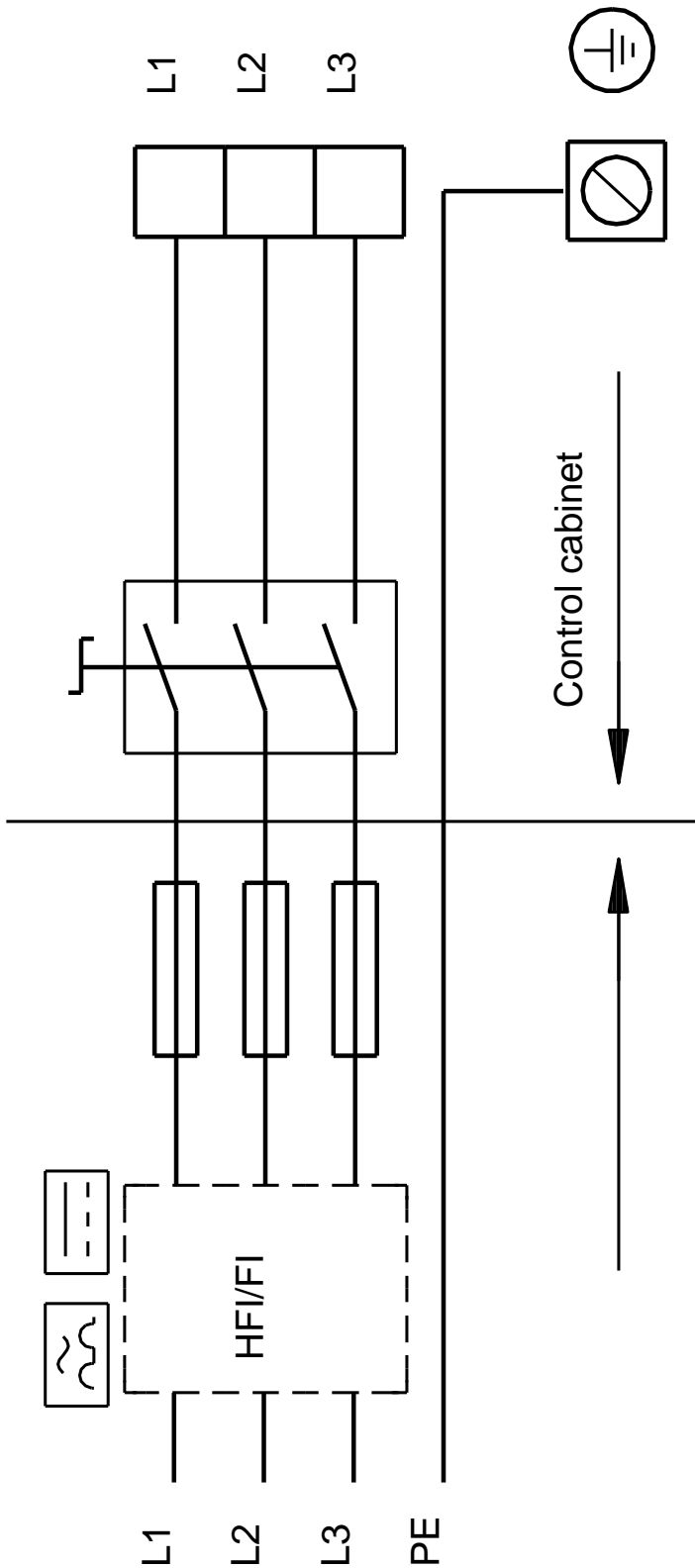


## 99133622 HYDRO MULTI-E 2 CME10-5 50 Hz



Note! All units are in [mm] unless others are stated.  
Disclaimer: This simplified dimensional drawing does not show all details.

## 99133622 HYDRO MULTI-E 2 CME10-5 50 Hz



Note! All units are in [mm] unless others are stated.