

**Qty. Description**

1 CRNE 20-4 N-FGJ-A-E-HQQE



Note! Product picture may differ from actual product

Product No.: [99071767](#)

Vertical, multistage centrifugal pump with inlet and outlet ports on same the level (inline). Pump materials in contact with the liquid are in high-grade stainless steel. A cartridge shaft seal ensures high reliability, safe handling, and easy access and service. Power transmission is via a rigid split coupling. Pipe connection is via combined DIN-ANSI-JIS flanges.

The pump is fitted with a 3-phase, fan-cooled, permanent-magnet, synchronous motor.

The motor efficiency is classified as IE5 in accordance with IEC 60034-30-2.

The motor includes a frequency converter and PI controller in the motor terminal box. This enables continuously variable control of the motor speed, which again enables adaptation of the performance to a given requirement.

An operating panel on the motor terminal box enables setting of required setpoint as well as setting of pump to "Min." or "Max." operation or to "Stop". The Grundfos Eye indicator on the operating panel provides visual indication of pump status:

- "Power on": Motor is running (rotating green indicator lights) or not running (permanently green indicator lights)
- "Warning": Motor is still running (rotating yellow indicator lights) or has stopped (permanently yellow indicator lights)
- "Alarm": Motor has stopped (flashing red indicator lights).

Communication with the pump is possible by means of Grundfos GO Remote (accessory). The remote control enables further settings as well as reading out of a number of parameters such as "Actual value", "Speed", "Power input" and total "Power consumption".

The terminal box has a number of inputs and outputs enabling the motor to be used in advanced applications where many inputs and outputs are required:

- two dedicated digital inputs
- three analog inputs, 0(4)-20 mA, 0-5 V, 0-10 V, 0.5 - 3.5 V; the factory-fitted pressure sensor is connected to one of these inputs
- 5 V voltage supply to potentiometer and sensor
- one analog output, 0-10 V, 0(4)-20 mA
- two configurable digital inputs or open-collector outputs
- two Pt100/Pt1000 inputs
- LiqTec, dry-running protection sensor input
- Grundfos Digital Sensor input and output
- 24 V voltage supply for sensors
- two signal-relay outputs (potential-free contacts)
- GENibus connection
- interface for Grundfos CIM fieldbus module.

Qty.	Description
	<p><b>Controls:</b>            Frequency converter: Built-in            Pressure sensor: Yes</p> <p><b>Liquid:</b>            Pumped liquid: Water            Liquid temperature range: -20 .. 120 °C            Selected liquid temperature: 20 °C            Density at selected liquid temperature: 998.2 kg/m<sup>3</sup></p> <p><b>Technical:</b>            Pump speed on which pump data are based: 3525 rpm            Rated flow: 25.3 m<sup>3</sup>/h            Rated head: 67.1 m            Pump orientation: Vertical            Shaft seal arrangement: Single            Code for shaft seal: HQQE            Approvals on nameplate: CE, EAC,ACS            Curve tolerance: ISO9906:2012 3B</p> <p><b>Materials:</b>            Base: Stainless steel                      EN 1.4408                      AISI 316            Impeller: Stainless steel                      EN 1.4401                      AISI 316            Bearing: SIC</p> <p><b>Installation:</b>            Maximum ambient temperature: 50 °C            Maximum operating pressure: 25 bar            Max pressure at stated temp: 25 bar / 120 °C              25 bar / -20 °C            Type of connection: DIN / ANSI / JIS            Size of inlet connection: DN 50            Size of outlet connection: DN 50            Pressure rating for pipe connection: PN 25            Flange rating inlet: 300 lb            Flange size for motor: FF265</p> <p><b>Electrical data:</b>            Motor standard: IEC            Motor type: 132SF            IE Efficiency class: IE5            Rated power - P2: 7.5 kW            Power (P2) required by pump: 7.5 kW            Mains frequency: 50 Hz            Rated voltage: 3 x 380-500 V            Rated current: 14.1-11.2 A            Cos phi - power factor: 0.93-0.89            Rated speed: 360-4000 rpm            Efficiency: 92.5%            Motor efficiency at full load: 92.5 %            Enclosure class (IEC 34-5): IP55            Insulation class (IEC 85): F            Motor No: 98971052</p> <p><b>Others:</b></p>



Company name:

Created by:

Phone:

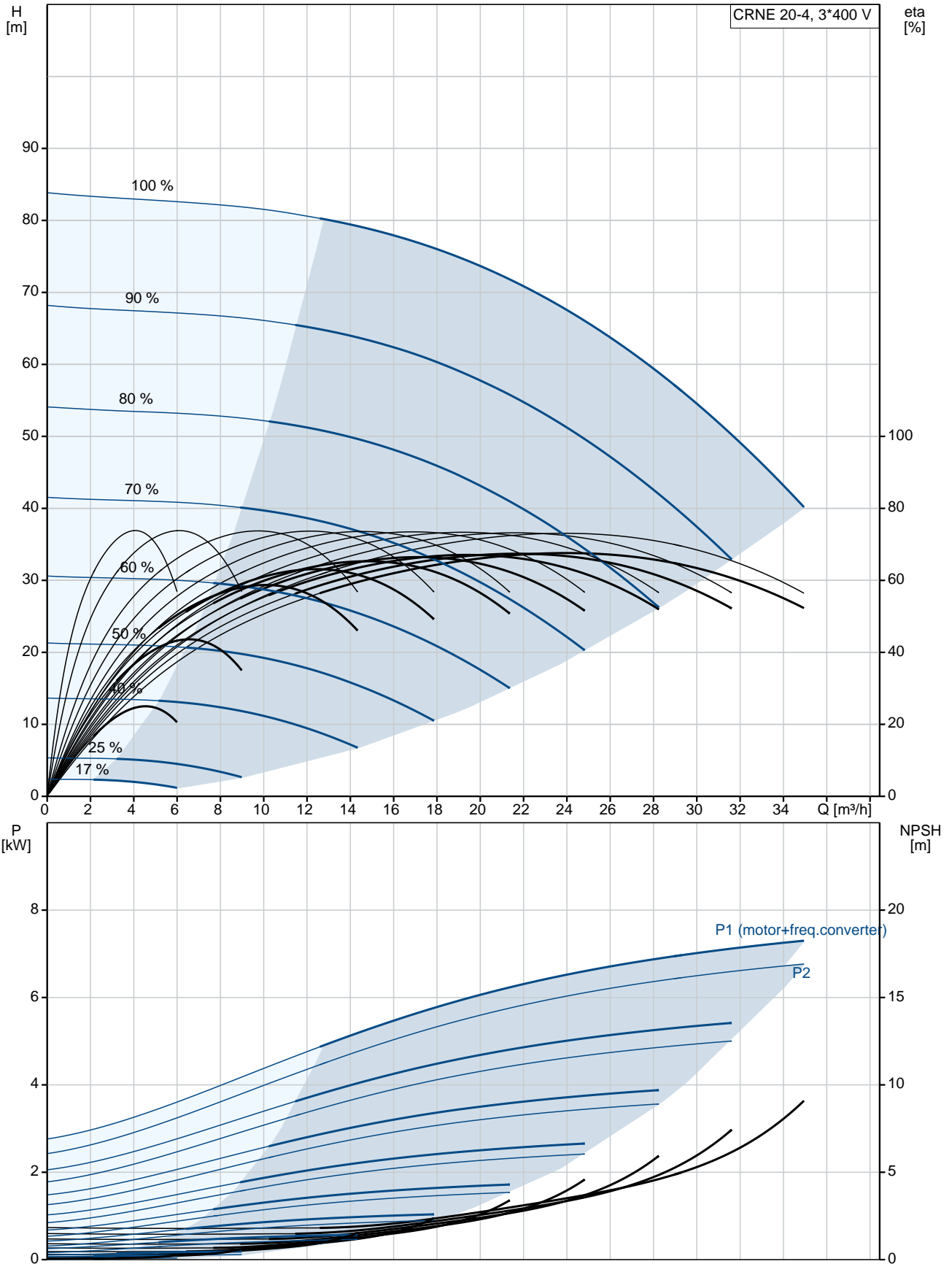
Date:

26/11/2019

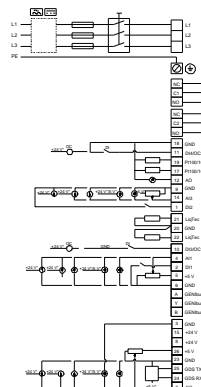
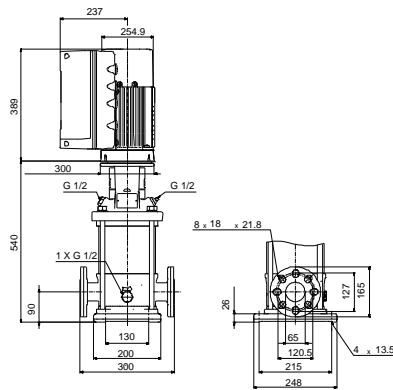
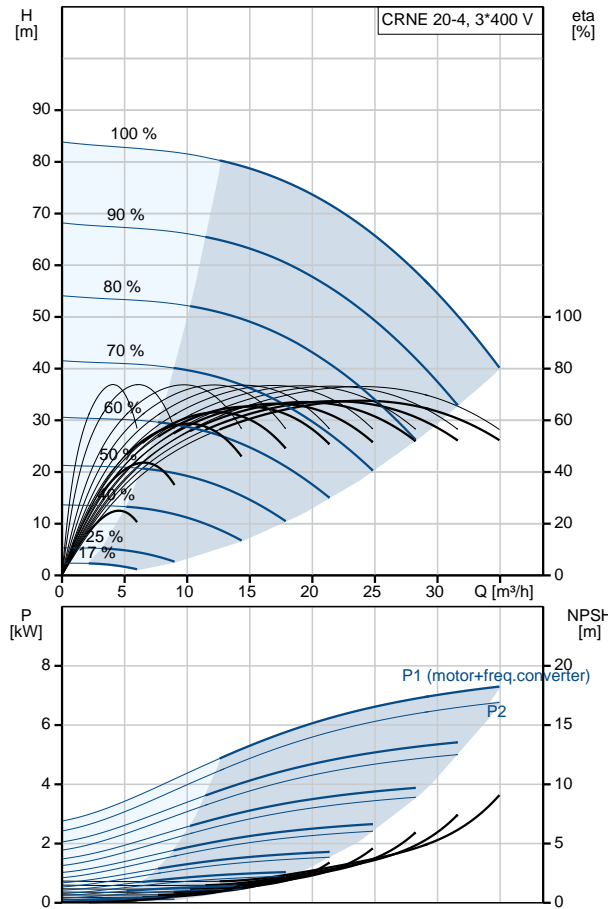
Qty.	Description
------	-------------

	Minimum efficiency index, MEI : 0.70 Net weight: 91 kg Gross weight: 119 kg Shipping volume: 0.37 m <sup>3</sup> Country of origin: GB Custom tariff no.: 84137075
--	---

## 99071767 CRNE 20-4 N-FGJ-A-E-HQQE 50 Hz



Description	Value
<b>General information:</b>	
Product name:	CRNE 20-4 N-FGJ-A-E-HQQE
Product No:	99071767
EAN number:	5712606197538 5712606197538
Price:	5.736,00 GBP
<b>Technical:</b>	
Pump speed on which pump data are based:	3525 rpm
Rated flow:	25.3 m <sup>3</sup> /h
Rated head:	67.1 m
Head max:	84.7 m
Stages:	4
Impellers:	4
Number of reduced-diameter impellers:	0
Low NPSH:	No
Pump orientation:	Vertical
Shaft seal arrangement:	Single
Code for shaft seal:	HQQE
Approvals on nameplate:	CE, EAC, ACS
Curve tolerance:	ISO9906:2012 3B
Pump version:	N
Model:	A
<b>Materials:</b>	
Base:	Stainless steel EN 1.4408 AISI 316
Impeller:	Stainless steel EN 1.4401 AISI 316
Material code:	A
Code for rubber:	E
Bearing:	SIC
<b>Installation:</b>	
Maximum ambient temperature:	50 °C
Maximum operating pressure:	25 bar
Max pressure at stated temp:	25 bar / 120 °C 25 bar / -20 °C
Type of connection:	DIN / ANSI / JIS
Size of inlet connection:	DN 50
Size of outlet connection:	DN 50
Pressure rating for pipe connection:	PN 25
Flange rating inlet:	300 lb
Flange size for motor:	FF265
Connect code:	FGJ
<b>Liquid:</b>	
Pumped liquid:	Water
Liquid temperature range:	-20 .. 120 °C
Selected liquid temperature:	20 °C
Density at selected liquid temperature:	998.2 kg/m <sup>3</sup>
<b>Electrical data:</b>	
Motor standard:	IEC
Motor type:	132SF
IE Efficiency class:	IE5
Rated power - P2:	7.5 kW
Power (P2) required by pump:	7.5 kW
Mains frequency:	50 Hz





Company name:

Created by:

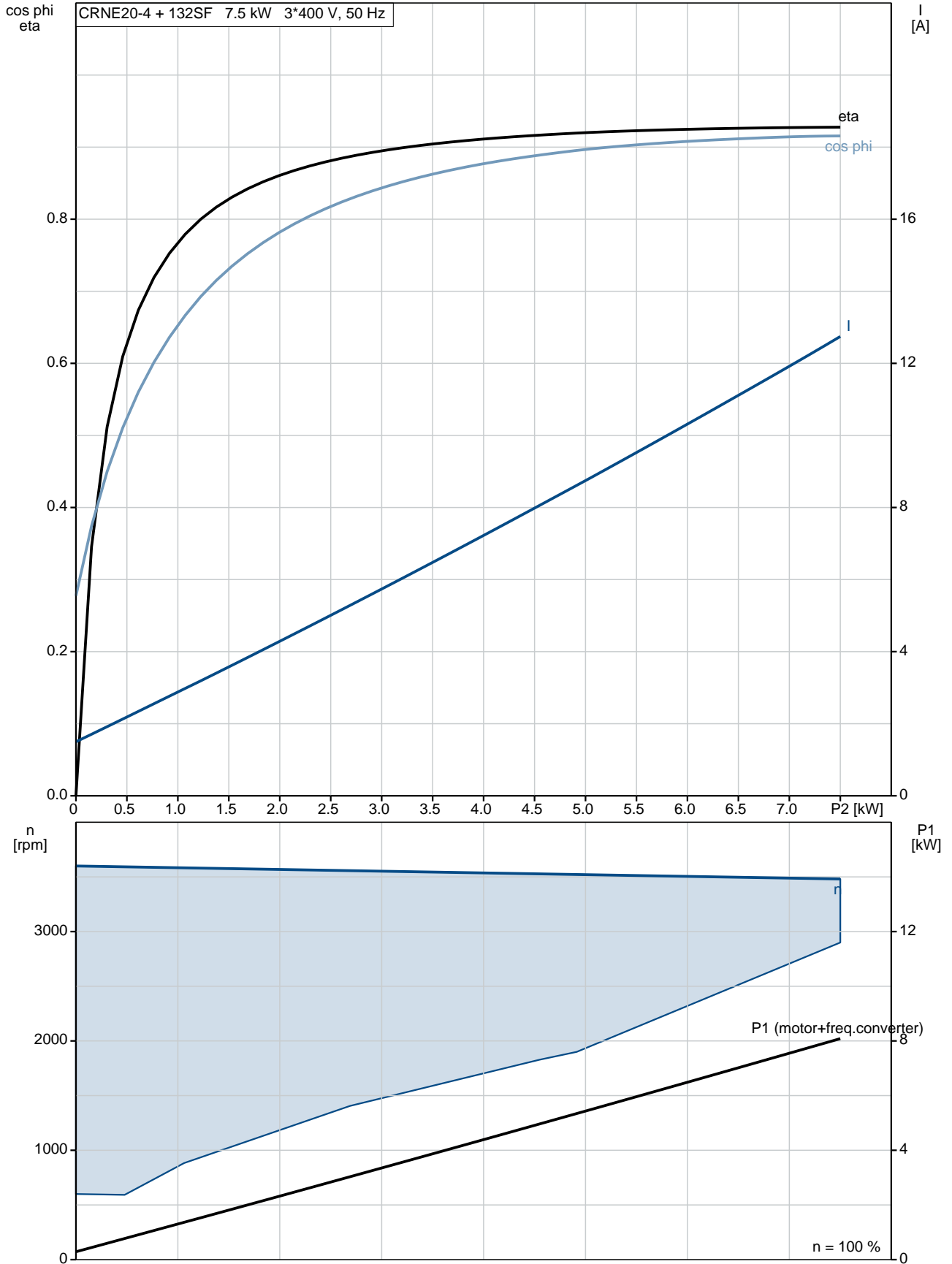
Phone:

Date:

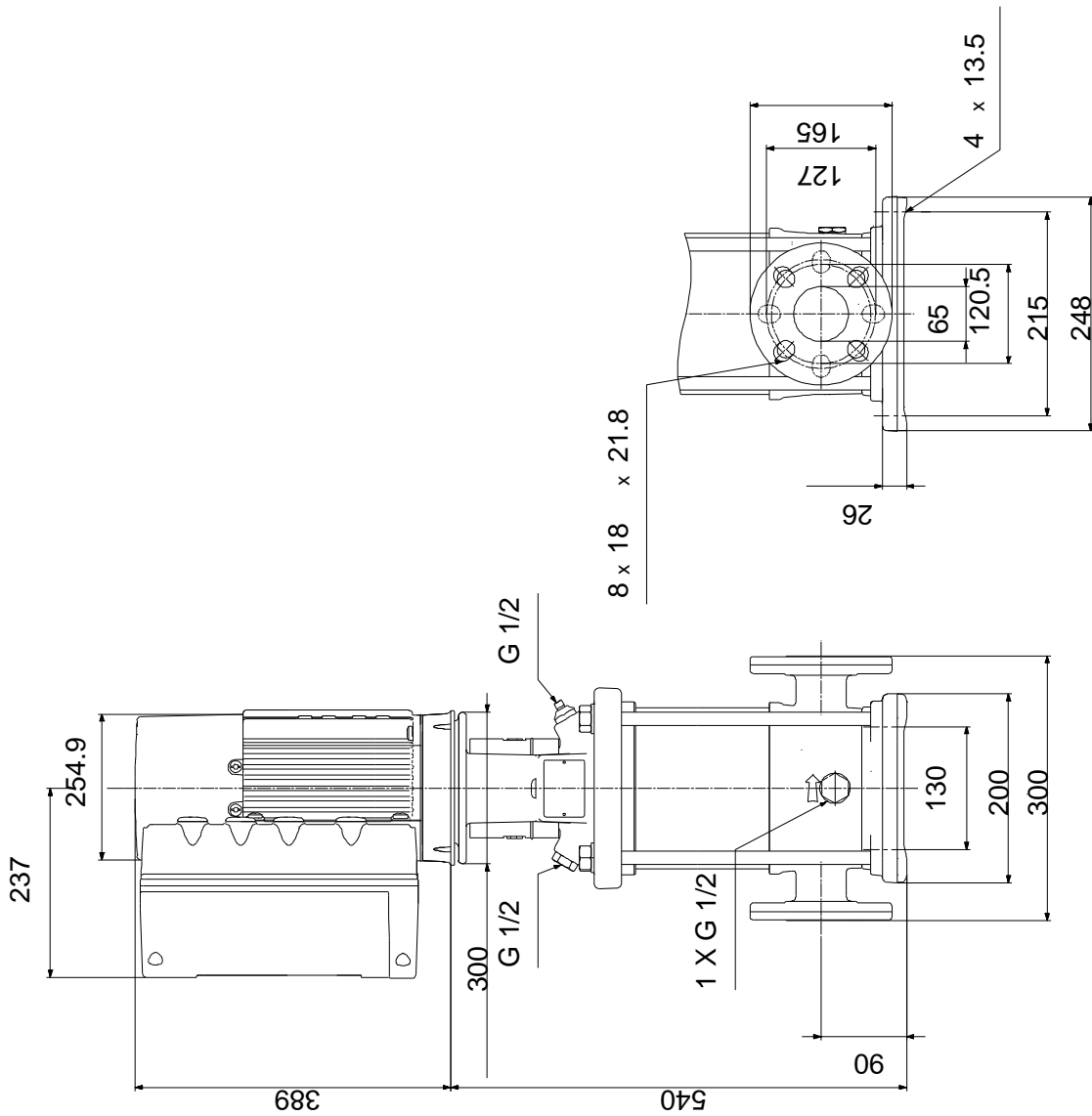
26/11/2019

Description	Value
Rated voltage:	3 x 380-500 V
Rated current:	14.1-11.2 A
Cos phi - power factor:	0.93-0.89
Rated speed:	360-4000 rpm
Efficiency:	92.5%
Motor efficiency at full load:	92.5 %
Enclosure class (IEC 34-5):	IP55
Insulation class (IEC 85):	F
Motor protec:	YES
Motor No:	98971052
<b>Controls:</b>	
Control panel:	Standard
Function Module:	FM300 - Advanced
Frequency converter:	Built-in
Pressure sensor:	Yes
<b>Others:</b>	
Minimum efficiency index, MEI :	0.70
Net weight:	91 kg
Gross weight:	119 kg
Shipping volume:	0.37 m <sup>3</sup>
Country of origin:	GB
Custom tariff no.:	84137075

## 99071767 CRNE 20-4 N-FGJ-A-E-HQQE 50 Hz



**99071767 CRNE 20-4 N-FGJ-A-E-HQQE 50 Hz**



Note! All units are in [mm] unless others are stated.  
Disclaimer: This simplified dimensional drawing does not show all details.