

**Qty. Description**

1 CRNE 15-8 N-FGJ-A-E-HQQE



Note! Product picture may differ from actual product

Product No.: [99071641](#)

Vertical, multistage centrifugal pump with inlet and outlet ports on same the level (inline). Pump materials in contact with the liquid are in high-grade stainless steel. A cartridge shaft seal ensures high reliability, safe handling, and easy access and service. Power transmission is via a rigid split coupling. Pipe connection is via combined DIN-ANSI-JIS flanges.

The pump is fitted with a 3-phase, fan-cooled, permanent-magnet, synchronous motor.

The motor efficiency is classified as IE5 in accordance with IEC 60034-30-2.

The motor includes a frequency converter and PI controller in the motor terminal box. This enables continuously variable control of the motor speed, which again enables adaptation of the performance to a given requirement.

An operating panel on the motor terminal box enables setting of required setpoint as well as setting of pump to "Min." or "Max." operation or to "Stop". The Grundfos Eye indicator on the operating panel provides visual indication of pump status:

- "Power on": Motor is running (rotating green indicator lights) or not running (permanently green indicator lights)
- "Warning": Motor is still running (rotating yellow indicator lights) or has stopped (permanently yellow indicator lights)
- "Alarm": Motor has stopped (flashing red indicator lights).

Communication with the pump is possible by means of Grundfos GO Remote (accessory). The remote control enables further settings as well as reading out of a number of parameters such as "Actual value", "Speed", "Power input" and total "Power consumption".

**Controls:**

Frequency converter: Built-in  
Pressure sensor: Yes

**Liquid:**

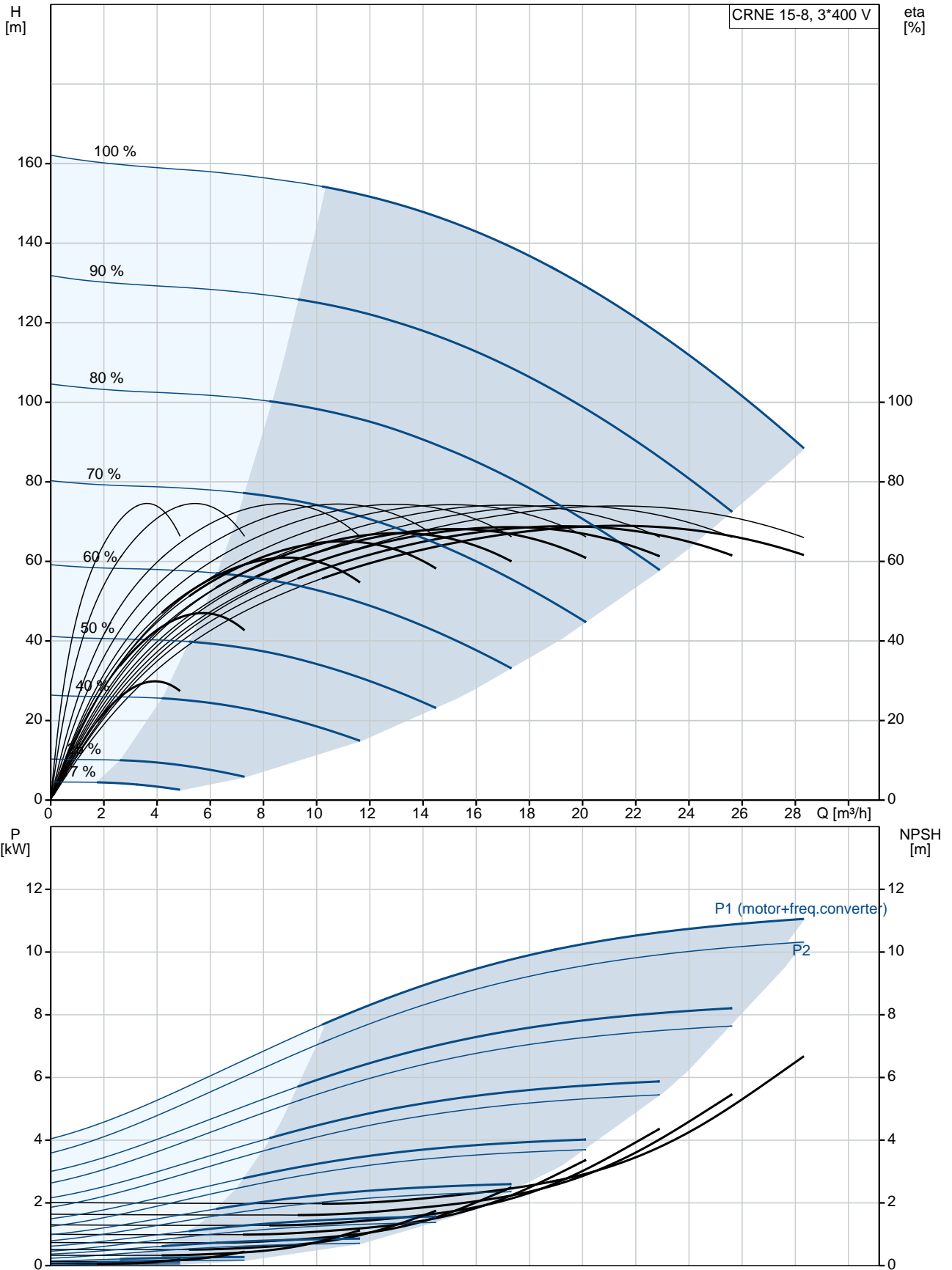
Pumped liquid: Water  
Liquid temperature range: -20 .. 120 °C  
Selected liquid temperature: 20 °C  
Density at selected liquid temperature: 998.2 kg/m<sup>3</sup>

**Technical:**

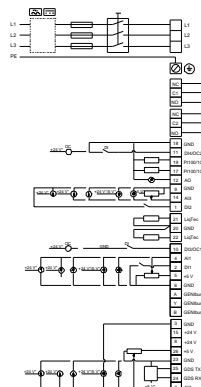
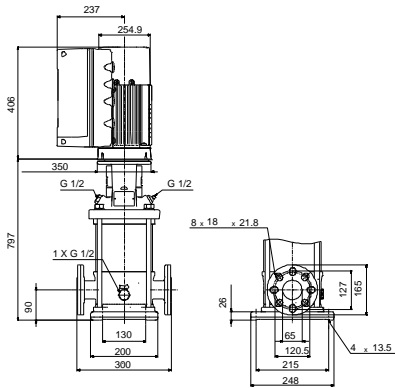
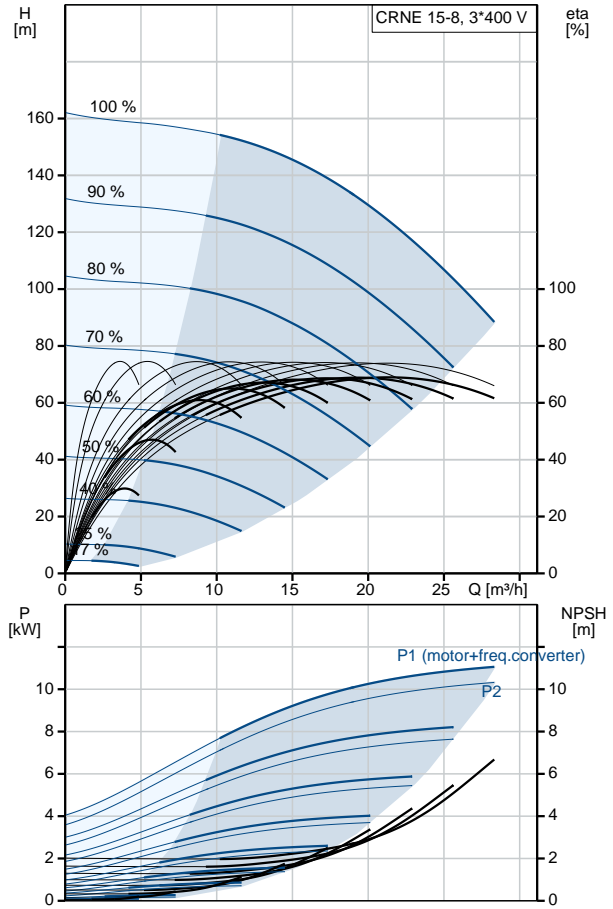
Pump speed on which pump data are based: 3529 rpm  
Rated flow: 20.5 m<sup>3</sup>/h  
Rated head: 130.1 m  
Pump orientation: Vertical

| Qty. | Description   |
|------|---|
|      | <p>Shaft seal arrangement: Single<br/>           Code for shaft seal: HQQE<br/>           Approvals on nameplate: CE, EAC,ACS<br/>           Curve tolerance: ISO9906:2012 3B</p> <p><b>Materials:</b><br/>           Base: Stainless steel<br/>                     EN 1.4408<br/>                     AISI 316<br/>           Impeller: Stainless steel<br/>                     EN 1.4401<br/>                     AISI 316<br/>           Bearing: SIC</p> <p><b>Installation:</b><br/>           Maximum ambient temperature: 50 °C<br/>           Maximum operating pressure: 25 bar<br/>           Max pressure at stated temp: 25 bar / 120 °C<br/>             25 bar / -20 °C<br/>           Type of connection: DIN / ANSI / JIS<br/>           Size of inlet connection: DN 50<br/>           Size of outlet connection: DN 50<br/>           Pressure rating for pipe connection: PN 25<br/>           Flange rating inlet: 300 lb<br/>           Flange size for motor: FF300</p> <p><b>Electrical data:</b><br/>           Motor standard: IEC<br/>           Motor type: 160MH<br/>           IE Efficiency class: IE5<br/>           Rated power - P2: 11 kW<br/>           Power (P2) required by pump: 11 kW<br/>           Mains frequency: 50 Hz<br/>           Rated voltage: 3 x 380-500 V<br/>           Rated current: 20.3-16.0 A<br/>           Cos phi - power factor: 0.93-0.90<br/>           Rated speed: 360-4000 rpm<br/>           Efficiency: 93.1%<br/>           Motor efficiency at full load: 93.1 %<br/>           Enclosure class (IEC 34-5): IP55<br/>           Insulation class (IEC 85): F<br/>           Motor No: 98971053</p> <p><b>Others:</b><br/>           Minimum efficiency index, MEI : 0.70<br/>           Net weight: 120 kg<br/>           Gross weight: 151 kg<br/>           Shipping volume: 0.619 m<sup>3</sup><br/>           Country of origin: GB<br/>           Custom tariff no.: 84137075</p> |

## 99071641 CRNE 15-8 N-FGJ-A-E-HQQE 50 Hz



| Description                              | Value                                    |
|--|--|
| <b>General information:</b>              |  |
| Product name:                            | CRNE 15-8<br>N-FGJ-A-E-HQQE              |
| Product No:                              | 99071641                                 |
| EAN number:                              | 5712606195206<br>5712606195206           |
| Price:                                   | 7.295,00 GBP                             |
| <b>Technical:</b>                        |  |
| Pump speed on which pump data are based: | 3529 rpm                                 |
| Rated flow:                              | 20.5 m <sup>3</sup> /h                   |
| Rated head:                              | 130.1 m                                  |
| Head max:                                | 163 m                                    |
| Stages:                                  | 8  |
| Impellers:                               | 8  |
| Number of reduced-diameter impellers:    | 0  |
| Low NPSH:                                | No                                       |
| Pump orientation:                        | Vertical                                 |
| Shaft seal arrangement:                  | Single                                   |
| Code for shaft seal:                     | HQQE                                     |
| Approvals on nameplate:                  | CE, EAC, ACS                             |
| Curve tolerance:                         | ISO9906:2012 3B                          |
| Pump version:                            | N  |
| Model:                                   | A  |
| <b>Materials:</b>                        |  |
| Base:                                    | Stainless steel<br>EN 1.4408<br>AISI 316 |
| Impeller:                                | Stainless steel<br>EN 1.4401<br>AISI 316 |
| Material code:                           | A  |
| Code for rubber:                         | E  |
| Bearing:                                 | SIC                                      |
| <b>Installation:</b>                     |  |
| Maximum ambient temperature:             | 50 °C                                    |
| Maximum operating pressure:              | 25 bar                                   |
| Max pressure at stated temp:             | 25 bar / 120 °C<br>25 bar / -20 °C       |
| Type of connection:                      | DIN / ANSI / JIS                         |
| Size of inlet connection:                | DN 50                                    |
| Size of outlet connection:               | DN 50                                    |
| Pressure rating for pipe connection:     | PN 25                                    |
| Flange rating inlet:                     | 300 lb                                   |
| Flange size for motor:                   | FF300                                    |
| Connect code:                            | FGJ                                      |
| <b>Liquid:</b>                           |  |
| Pumped liquid:                           | Water                                    |
| Liquid temperature range:                | -20 .. 120 °C                            |
| Selected liquid temperature:             | 20 °C                                    |
| Density at selected liquid temperature:  | 998.2 kg/m <sup>3</sup>                  |
| <b>Electrical data:</b>                  |  |
| Motor standard:                          | IEC                                      |
| Motor type:                              | 160MH                                    |
| IE Efficiency class:                     | IE5                                      |
| Rated power - P2:                        | 11 kW                                    |
| Power (P2) required by pump:             | 11 kW                                    |
| Mains frequency:                         | 50 Hz                                    |





Company name:

Created by:

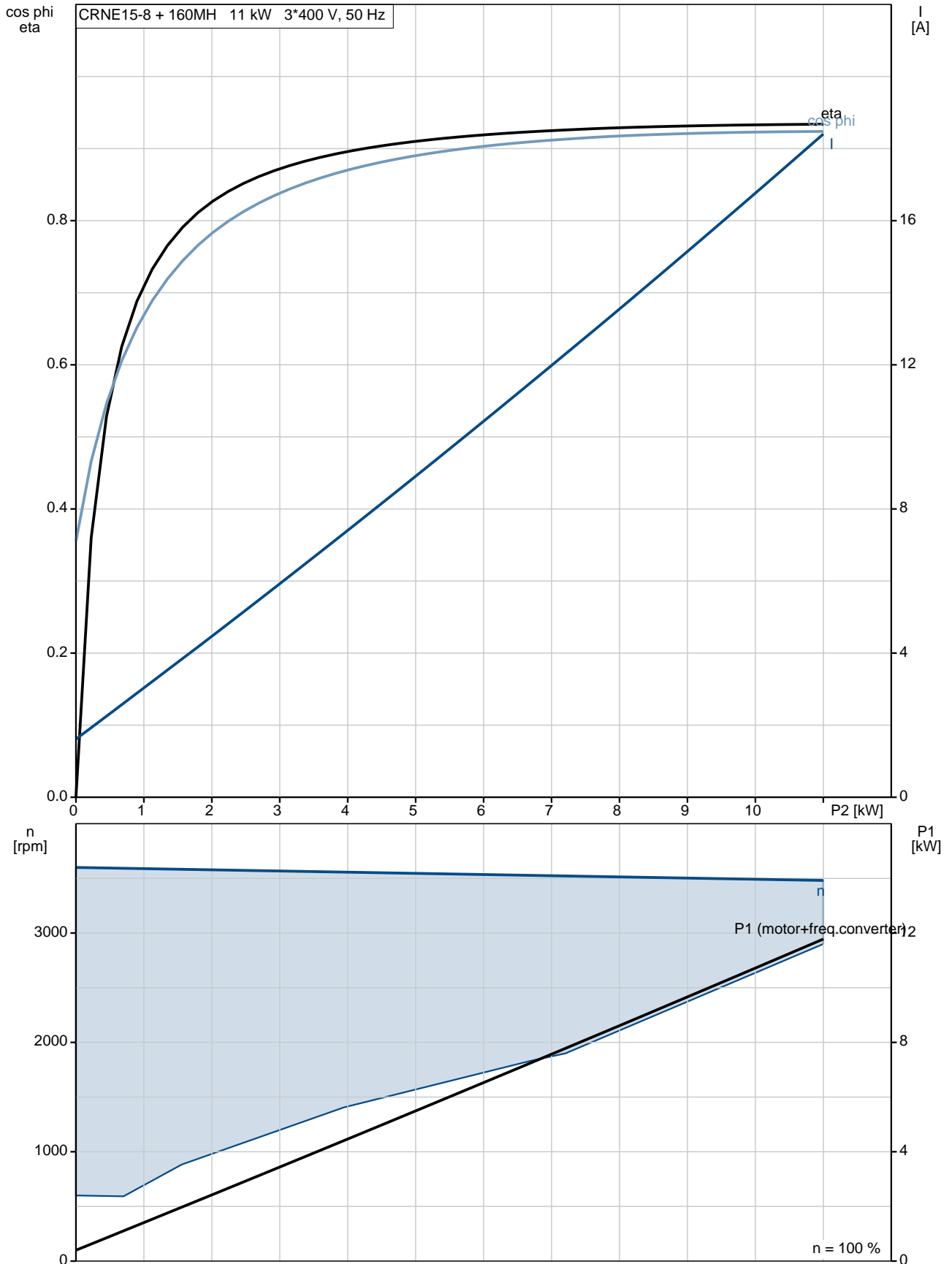
Phone:

Date:

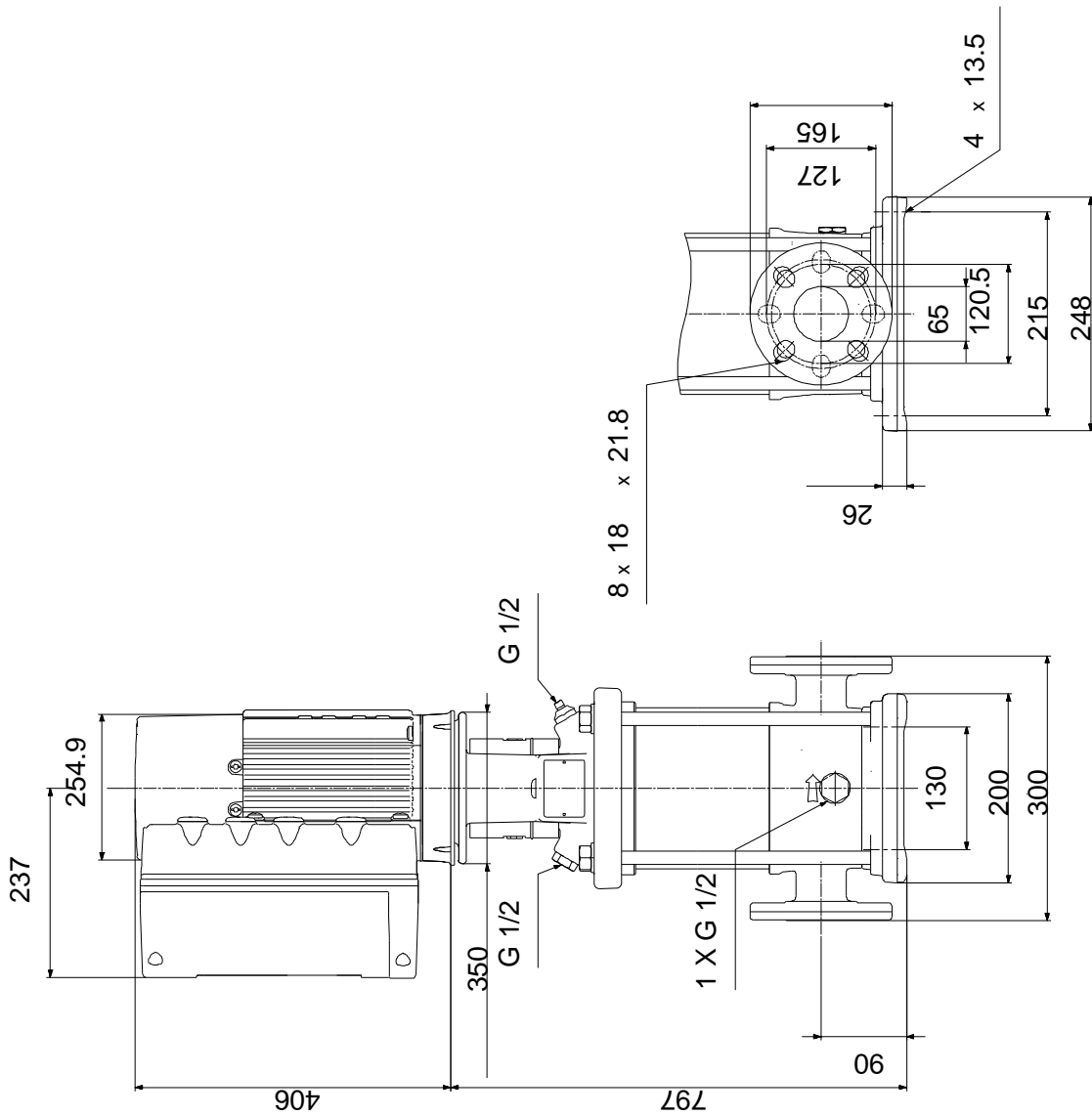
26/11/2019

| Description                     | Value                |
|---------------------------------|----------------------|
| Rated voltage:                  | 3 x 380-500 V        |
| Rated current:                  | 20.3-16.0 A          |
| Cos phi - power factor:         | 0.93-0.90            |
| Rated speed:                    | 360-4000 rpm         |
| Efficiency:                     | 93.1%                |
| Motor efficiency at full load:  | 93.1 %               |
| Enclosure class (IEC 34-5):     | IP55                 |
| Insulation class (IEC 85):      | F                    |
| Motor protec:                   | YES                  |
| Motor No:                       | 98971053             |
| <b>Controls:</b>                |                      |
| Control panel:                  | Standard             |
| Function Module:                | 300                  |
| Frequency converter:            | Built-in             |
| Pressure sensor:                | Yes                  |
| <b>Others:</b>                  |                      |
| Minimum efficiency index, MEI : | 0.70                 |
| Net weight:                     | 120 kg               |
| Gross weight:                   | 151 kg               |
| Shipping volume:                | 0.619 m <sup>3</sup> |
| Country of origin:              | GB                   |
| Custom tariff no.:              | 84137075             |

## 99071641 CRNE 15-8 N-FGJ-A-E-HQQE 50 Hz



**99071641 CRNE 15-8 N-FGJ-A-E-HQQE 50 Hz**



Note! All units are in [mm] unless others are stated.  
Disclaimer: This simplified dimensional drawing does not show all details.