


Position	Count	Description
	1	<p><b>CM10-6 A-R-I-E-AQQE</b></p>  <p>Product No.: <a href="#">99057080</a></p> <p>Compact, reliable, horizontal, multistage, end-suction centrifugal pump with axial suction port and radial discharge port. Pump materials in contact with the liquid are in stainless steel. The mechanical shaft seal is a special designed, unbalanced O-ring seal. Pipework connection is via internal Whitworth pipe threads, Rp (ISO 7/1).</p> <p>The pump is fitted with a 3-phase, foot-mounted, fan-cooled asynchronous motor.</p> <p><b>Liquid:</b>  Pumped liquid: Water  Liquid temperature range: -4 .. 248 °F  Liquid temperature during operation: 68 °F  Density: 62.29 lb/ft<sup>3</sup></p> <p><b>Technical:</b>  Rated flow: 44 US gpm  Rated head: 256.9 ft  Primary shaft seal: AQQE  Approvals on nameplate: CE,WRAS,ACS,TR,EAC  Curve tolerance: ISO9906:2012 3B</p> <p><b>Materials:</b>  Pump housing: Stainless steel  DIN W.-Nr. 1.4301  AISI 304  Impeller: Stainless steel  DIN W.-Nr. 1.4301  AISI 304  Rubber: EPDM</p> <p><b>Installation:</b>  Maximum ambient temperature: 131 °F  Maximum operating pressure: 145 psi  Max pressure at stated temperature: 145 psi / 250 °F  Flange standard: WHITWORTH THREAD RP  Pump inlet: Rp 1 1/2  Pump outlet: Rp 1 1/2</p> <p><b>Electrical data:</b>  Motor type: 112MC  IE Efficiency class: IE3  Rated power - P2: 5.5 HP  Main frequency: 50 Hz  Rated voltage: 3 x 220-240D/380-415Y V  Rated current: 13,8-13,2/8,00-7,65 A  Starting current: 1120-1230 %  Rated speed: 2920-2940 rpm  Motor efficiency at full load: 89.2 %  Enclosure class (IEC 34-5): IP55</p>



Company name:

Created by:

Phone:

Date:

10/4/2018

Position	Count	Description
		<p data-bbox="341 338 726 374">Insulation class (IEC 85): F</p> <p data-bbox="341 400 432 430"><b>Others:</b></p> <p data-bbox="341 432 775 463">Minimum efficiency index, MEI : 0.52</p> <p data-bbox="341 463 775 495">Net weight: 109 lb</p> <p data-bbox="341 495 775 526">Gross weight: 115 lb</p> <p data-bbox="341 526 743 557">Country of origin: HU</p> <p data-bbox="341 557 818 589">Custom tariff no.: 84137075</p>



Company name:

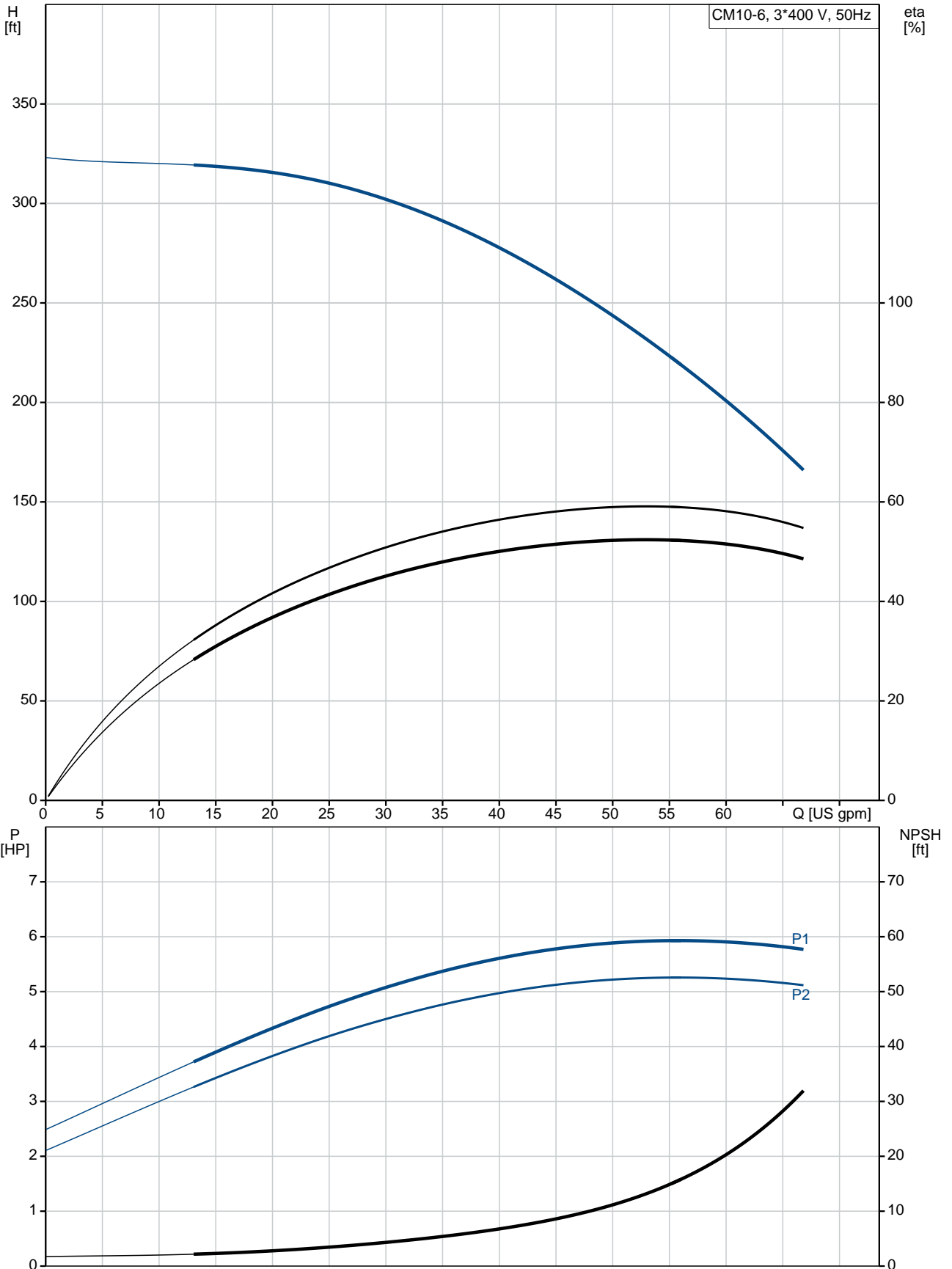
Created by:

Phone:

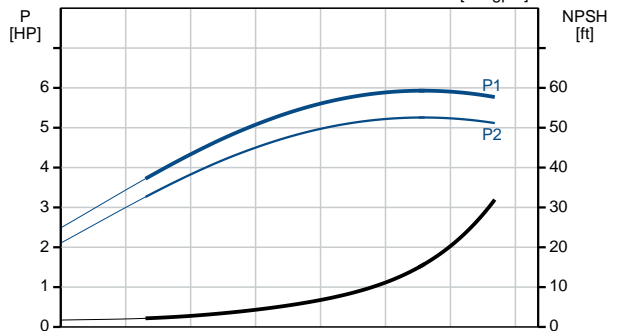
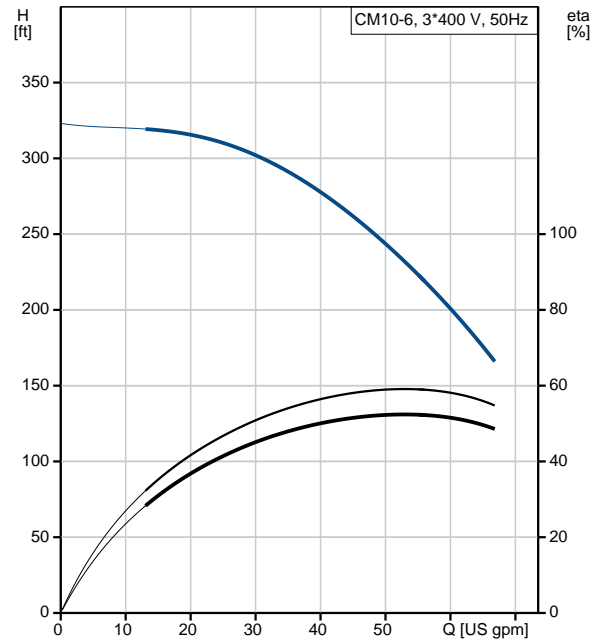
Date:

10/4/2018

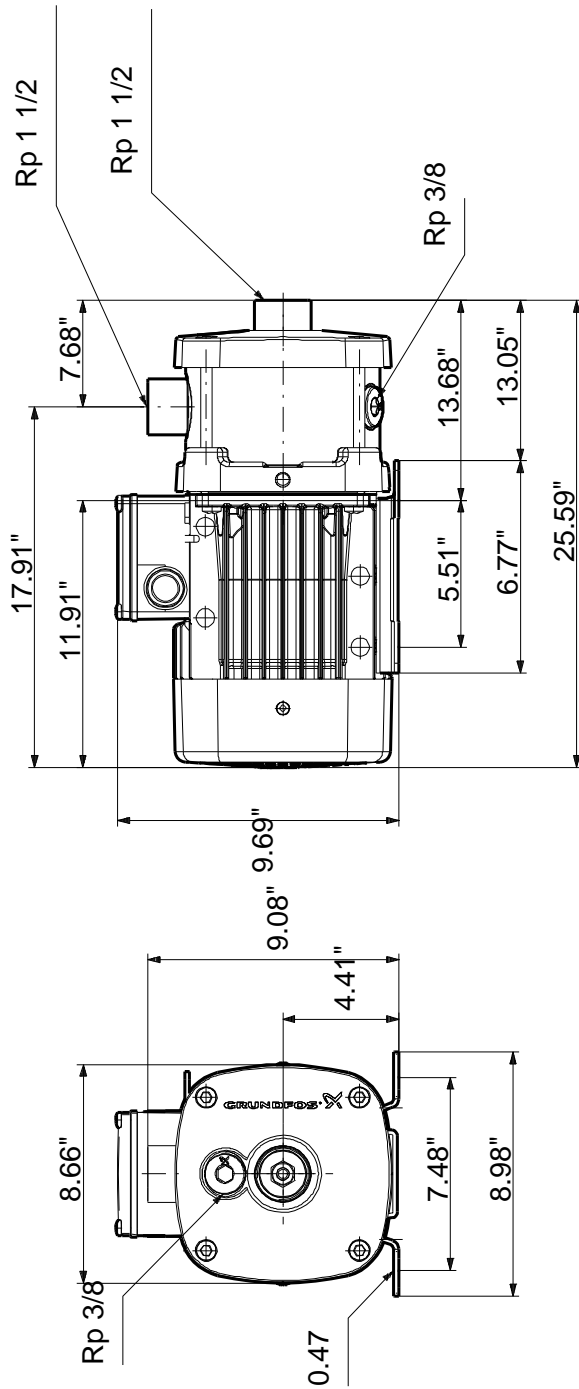
### 99057080 CM10-6 A-R-I-E-AQQE 50 Hz



Description	Value
<b>General information:</b>	
Product name:	CM10-6 A-R-I-E-AQQE
Product No.:	99057080
EAN:	5712605939351
<b>Technical:</b>	
Rated flow:	44 US gpm
Rated head:	256.9 ft
Impellers:	6
Primary shaft seal:	AQQE
Approvals on nameplate:	CE,WRAS,ACS,TR,EAC
Curve tolerance:	ISO9906:2012 3B
Pump version:	A
Model:	A
<b>Materials:</b>	
Pump housing:	Stainless steel DIN W.-Nr. 1.4301 AISI 304
Impeller:	Stainless steel DIN W.-Nr. 1.4301 AISI 304
Material code:	I
Rubber:	EPDM
Code for rubber:	E
<b>Installation:</b>	
Maximum ambient temperature:	131 °F
Maximum operating pressure:	145 psi
Max pressure at stated temperature:	145 psi / 250 °F
Flange standard:	WHITWORTH THREAD RP
Pump inlet:	Rp 1 1/2
Pump outlet:	Rp 1 1/2
Connect code:	R
<b>Liquid:</b>	
Pumped liquid:	Water
Liquid temperature range:	-4 .. 248 °F
Liquid temperature during operation:	68 °F
Density:	62.29 lb/ft³
<b>Electrical data:</b>	
Motor type:	112MC
IE Efficiency class:	IE3
Rated power - P2:	5.5 HP
Main frequency:	50 Hz
Rated voltage:	3 x 220-240D/380-415Y V
Rated current:	13,8-13,2/8,00-7,65 A
Starting current:	1120-1230 %
Rated speed:	2920-2940 rpm
Motor efficiency at full load:	89.2 %
Enclosure class (IEC 34-5):	IP55
Insulation class (IEC 85):	F
Motor protection:	TP211
<b>Others:</b>	
Minimum efficiency index, MEI :	0.52
Net weight:	109 lb
Gross weight:	115 lb
Country of origin:	HU
Custom tariff no.:	84137075

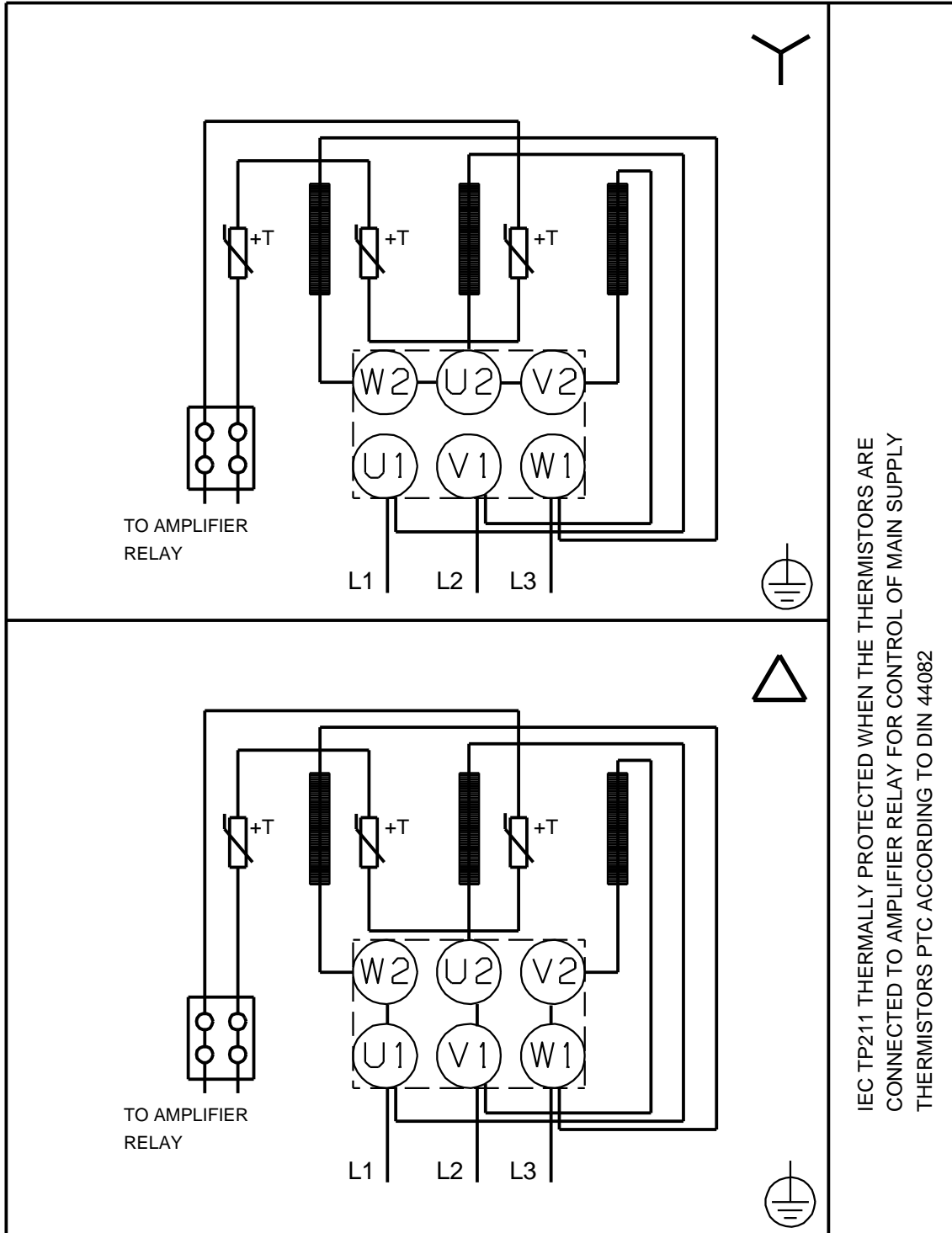


## 99057080 CM10-6 A-R-I-E-AQQE 50 Hz



Note! All units are in [mm] unless otherwise stated.  
 Disclaimer: This simplified dimensional drawing does not show all details.

## 99057080 CM10-6 A-R-I-E-AQQE 50 Hz



IEC TP211 THERMALLY PROTECTED WHEN THE THERMISTORS ARE  
CONNECTED TO AMPLIFIER RELAY FOR CONTROL OF MAIN SUPPLY  
THERMISTORS PTC ACCORDING TO DIN 44082

All units are [mm] unless otherwise presented.