

Qty. Description

1 MTH 4-8/8 A-W-A-AQQV



Note! Product picture may differ from actual product

Product No.: [98993074](#)

Multistage, immersible, self-priming, centrifugal pump for vertical installation in tanks etc.

The pump has the following characteristics:

- Installation length according to DIN 5440.
- Impellers, intermediate chambers and spline shaft are made of Stainless steel.
- Mechanical shaft seal according to EN 12756.

The pump is close-coupled with a 3-phase motor.

Liquid:

Pumped liquid: Water
 Liquid temperature range: -10 .. 90 °C
 Selected liquid temperature: 20 °C
 Density at selected liquid temperature: 998.2 kg/m³

Technical:

Rated flow: 5 m³/h
 Rated head: 51.5 m
 Chambers: 8
 Code for shaft seal: AQQV
 Curve tolerance: ISO9906:2012 3B

Materials:

Pump housing: Cast iron
 EN 1561 EN-GJL-200
 ASTM A48-25B
 Impeller: Stainless steel
 EN 1.4301
 AISI 304

Installation:

Maximum ambient temperature: 40 °C
 Maximum operating pressure: 10 bar
 Max pressure at stated temp: 10 bar / 90 °C
 Type of connection: Rp
 Size of outlet connection: 3/4 inch
 Immersion depth: 307 mm

Electrical data:

Motor standard: IEC
 Frame size: 90
 Multi plug: No
 IE efficiency class: IE3



Company name:

Created by:

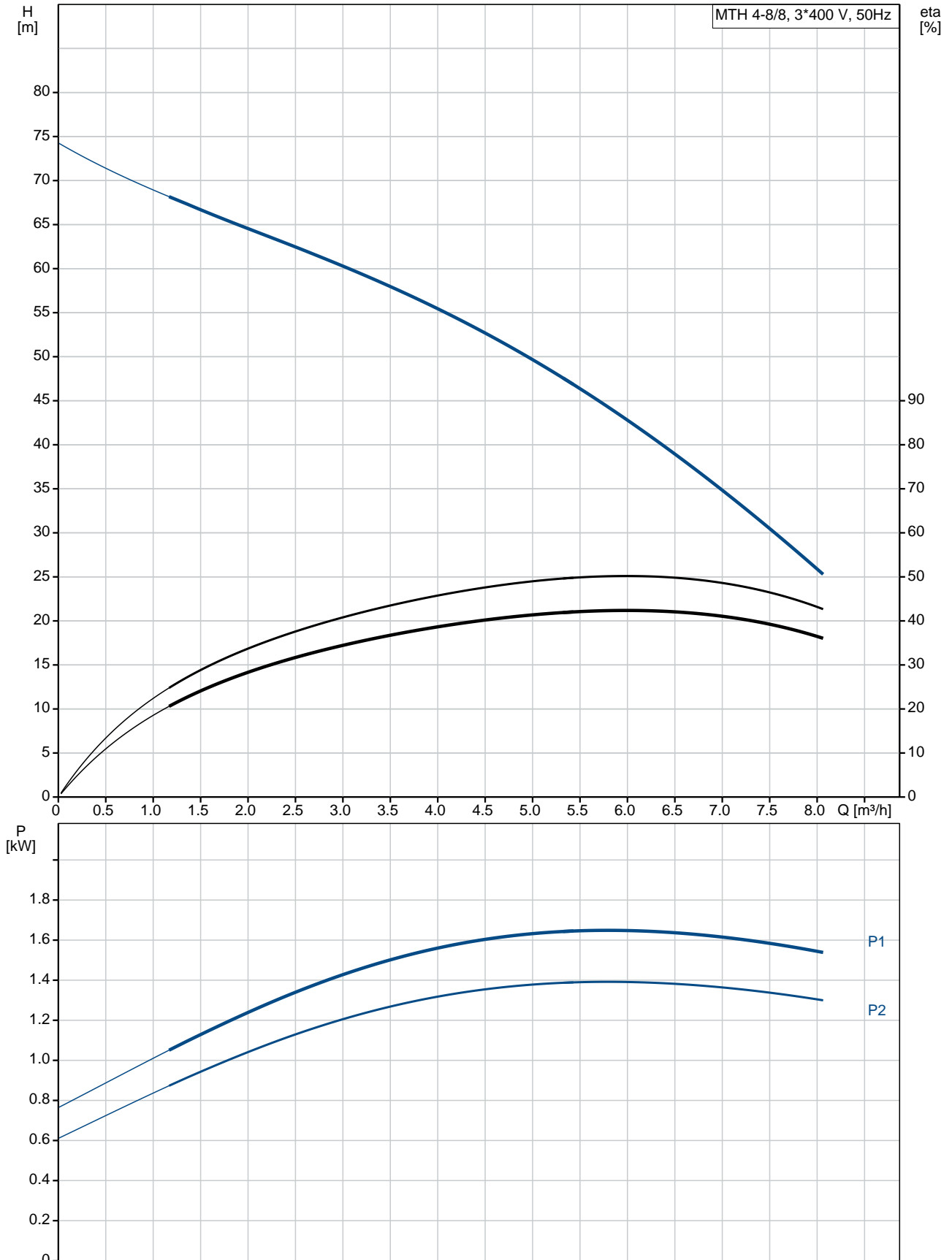
Phone:

Date:

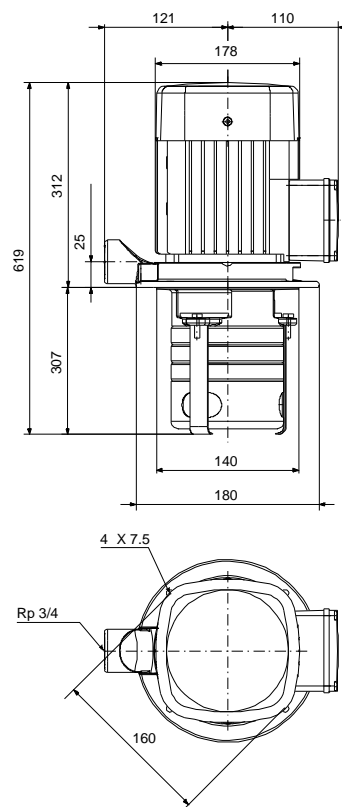
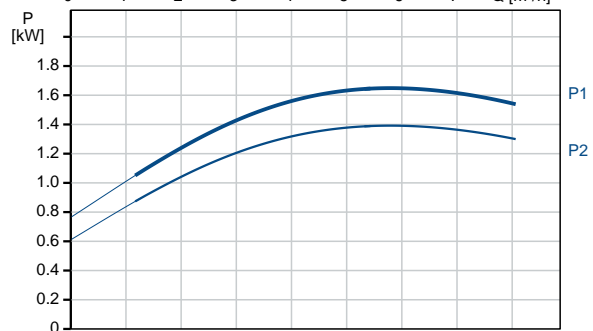
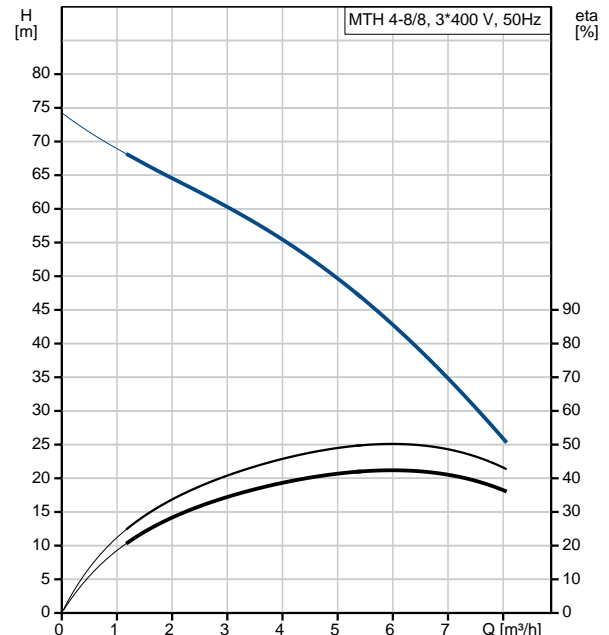
15/10/2019

Qty.	Description
	Rated power - P2: 1.5 kW
	Mains frequency: 50 Hz
	Phases: 3
	Rated voltage: 220-240D/380-415Y V
	Service factor: 1.15
	Rated current: 5.45/3.15 A
	Starting current: 850-930 %
	Rated speed: 2900 rpm
	Enclosure class (IEC 34-5): IP54
	Insulation class (IEC 85): F
	Built-in motor protection: NONE
	Others:
	Terminal box position: 6
	Minimum efficiency index, MEI : 0.70
	Net weight: 30 kg
	Gross weight: 31.3 kg
	Country of origin: HU
	Custom tariff no.: 84137075

98993074 MTH 4-8/8 A-W-A-AQQV 50 Hz



Description	Value
General information:	
Product name:	MTH 4-8/8 A-W-A-AQQV
Product No:	98993074
EAN number:	5712604839201
	5712604839201
Price:	1.127,00 GBP
Technical:	
Rated flow:	5 m ³ /h
Rated head:	51.5 m
Chambers:	8
Impellers:	8
Number of reduced-diameter impellers:	0
Code for shaft seal:	AQQV
Curve tolerance:	ISO9906:2012 3B
Pump version:	A
Materials:	
Pump housing:	Cast iron
	EN 1561 EN-GJL-200
	ASTM A48-25B
Impeller:	Stainless steel
	EN 1.4301
	AISI 304
Material code:	A
Installation:	
Maximum ambient temperature:	40 °C
Maximum operating pressure:	10 bar
Max pressure at stated temp:	10 bar / 90 °C
Type of connection:	Rp
Size of outlet connection:	3/4 inch
Immersion depth:	307 mm
Connect code:	W
Liquid:	
Pumped liquid:	Water
Liquid temperature range:	-10 .. 90 °C
Selected liquid temperature:	20 °C
Density at selected liquid temperature:	998.2 kg/m ³
Electrical data:	
Motor standard:	IEC
Frame size:	90
Multi plug:	No
IE efficiency class:	IE3
Rated power - P2:	1.5 kW
Mains frequency:	50 Hz
Phases:	3
Rated voltage:	220-240D/380-415Y V
Service factor:	1.15
Rated current:	5.45/3.15 A
Starting current:	850-930 %
Rated speed:	2900 rpm
Enclosure class (IEC 34-5):	IP54
Insulation class (IEC 85):	F
Built-in motor protection:	NONE
Others:	
Terminal box position:	6
Minimum efficiency index, MEI :	0.70
Net weight:	30 kg
Gross weight:	31.3 kg
Country of origin:	HU





Company name:

Created by:

Phone:

Date:

15/10/2019

Description

Value

Custom tariff no.:

84137075

98993074 MTH 4-8/8 A-W-A-AQQV 50 Hz

