

**Qty. Description**

1 MTH 4-3/3 A-W-A-AQQV



Note! Product picture may differ from actual product

Product No.: [98993037](#)

Multistage, immersible, self-priming, centrifugal pump for vertical installation in tanks etc.

The pump has the following characteristics:

- Installation length according to DIN 5440.
- Impellers, intermediate chambers and spline shaft are made of Stainless steel.
- Mechanical shaft seal according to EN 12756.

The pump is close-coupled with a 3-phase motor.

**Liquid:**

Pumped liquid: Water  
 Liquid temperature range: -10 .. 90 °C  
 Selected liquid temperature: 20 °C  
 Density at selected liquid temperature: 998.2 kg/m<sup>3</sup>

**Technical:**

Rated flow: 5 m<sup>3</sup>/h  
 Rated head: 18.5 m  
 Chambers: 3  
 Code for shaft seal: AQQV  
 Curve tolerance: ISO9906:2012 3B

**Materials:**

Pump housing: Cast iron  
 EN 1561 EN-GJL-200  
 ASTM A48-25B  
 Impeller: Stainless steel  
 EN 1.4301  
 AISI 304

**Installation:**

Maximum ambient temperature: 40 °C  
 Maximum operating pressure: 10 bar  
 Max pressure at stated temp: 10 bar / 90 °C  
 Type of connection: Rp  
 Size of outlet connection: 3/4 inch  
 Immersion depth: 172 mm

**Electrical data:**

Motor standard: IEC  
 Frame size: 80  
 Multi plug: No  
 IE efficiency class: IE3



Company name:

Created by:

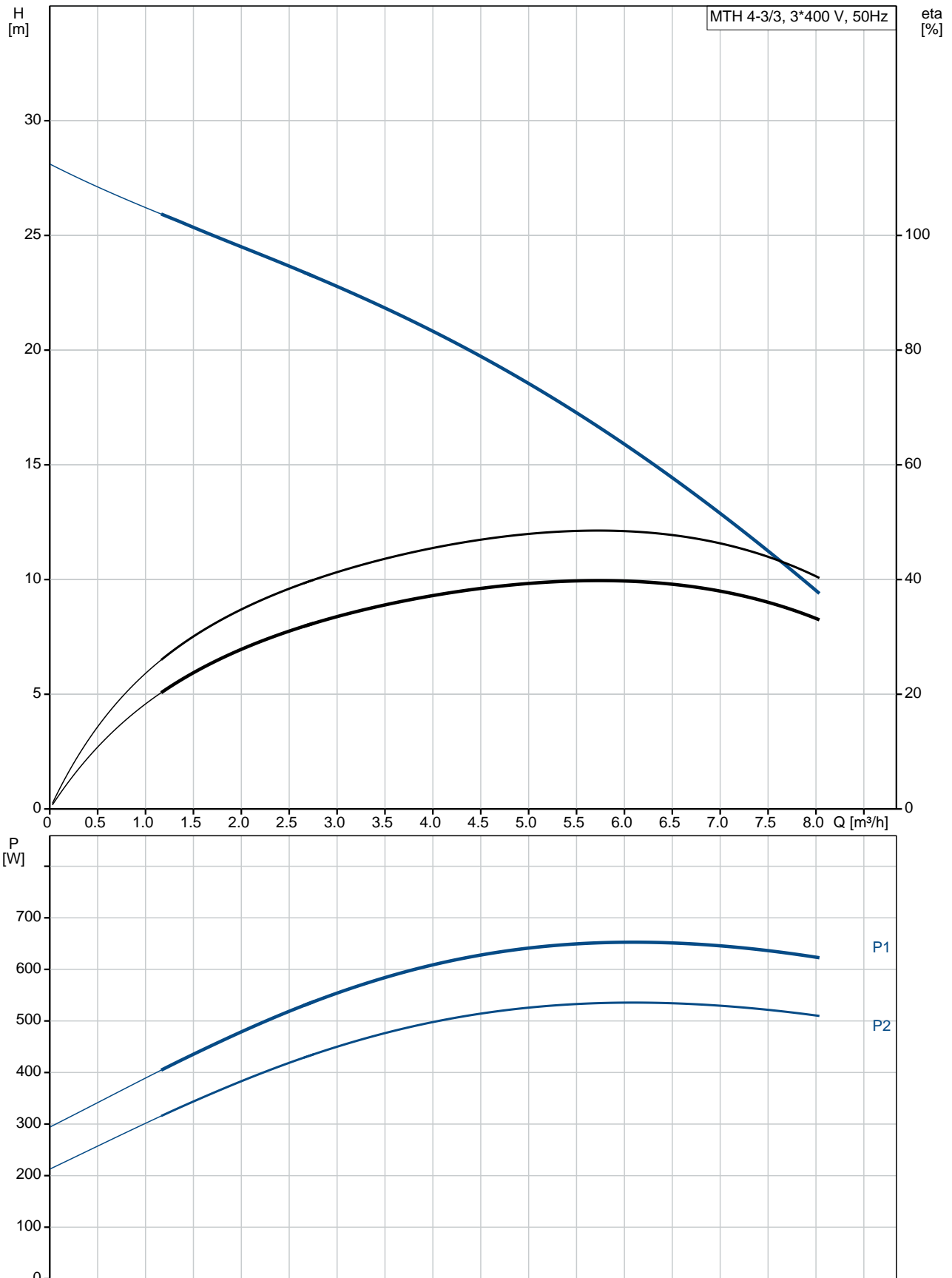
Phone:

Date:

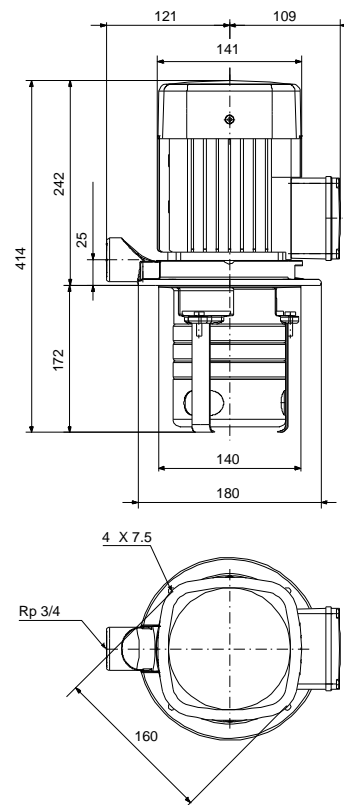
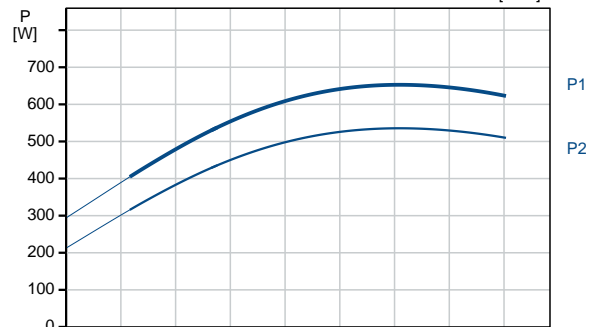
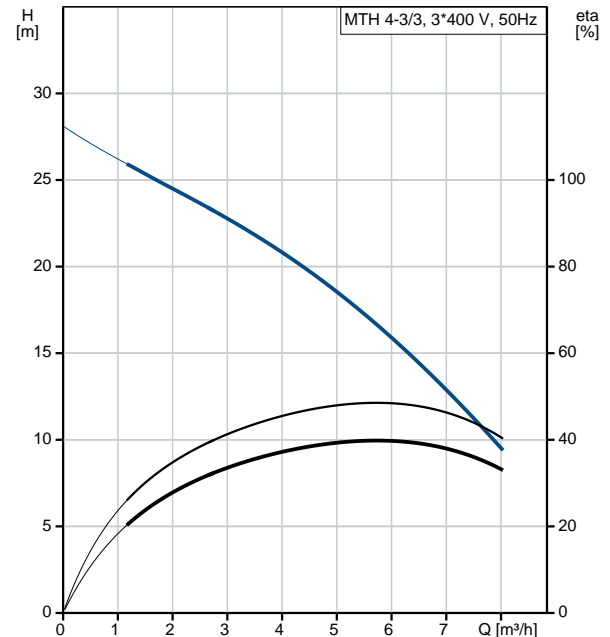
15/10/2019

Qty.	Description
	Rated power - P2: 0.75 kW
	Mains frequency: 50 Hz
	Phases: 3
	Rated voltage: 220-240D/380-415Y V
	Service factor: 1.30
	Rated current: 3.30/1.90 A
	Starting current: 580-620 %
	Rated speed: 2855 rpm
	Enclosure class (IEC 34-5): IP54
	Insulation class (IEC 85): F
	Built-in motor protection: NONE
	<b>Others:</b>
	Terminal box position: 6
	Minimum efficiency index, MEI : 0.70
	Net weight: 16.3 kg
	Gross weight: 17.5 kg
	Country of origin: HU
	Custom tariff no.: 84137075

## 98993037 MTH 4-3/3 A-W-A-AQQV 50 Hz



Description	Value
<b>General information:</b>	
Product name:	MTH 4-3/3 A-W-A-AQQV
Product No:	98993037
EAN number:	5712604838839
	5712604838839
Price:	717,00 GBP
<b>Technical:</b>	
Rated flow:	5 m <sup>3</sup> /h
Rated head:	18.5 m
Chambers:	3
Impellers:	3
Number of reduced-diameter impellers:	0
Code for shaft seal:	AQQV
Curve tolerance:	ISO9906:2012 3B
Pump version:	A
<b>Materials:</b>	
Pump housing:	Cast iron
	EN 1561 EN-GJL-200
	ASTM A48-25B
Impeller:	Stainless steel
	EN 1.4301
	AISI 304
Material code:	A
<b>Installation:</b>	
Maximum ambient temperature:	40 °C
Maximum operating pressure:	10 bar
Max pressure at stated temp:	10 bar / 90 °C
Type of connection:	Rp
Size of outlet connection:	3/4 inch
Immersion depth:	172 mm
Connect code:	W
<b>Liquid:</b>	
Pumped liquid:	Water
Liquid temperature range:	-10 .. 90 °C
Selected liquid temperature:	20 °C
Density at selected liquid temperature:	998.2 kg/m <sup>3</sup>
<b>Electrical data:</b>	
Motor standard:	IEC
Frame size:	80
Multi plug:	No
IE efficiency class:	IE3
Rated power - P2:	0.75 kW
Mains frequency:	50 Hz
Phases:	3
Rated voltage:	220-240D/380-415Y V
Service factor:	1.30
Rated current:	3.30/1.90 A
Starting current:	580-620 %
Rated speed:	2855 rpm
Enclosure class (IEC 34-5):	IP54
Insulation class (IEC 85):	F
Built-in motor protection:	NONE
<b>Others:</b>	
Terminal box position:	6
Minimum efficiency index, MEI :	0.70
Net weight:	16.3 kg
Gross weight:	17.5 kg
Country of origin:	HU





Company name:

Created by:

Phone:

Date:

15/10/2019

**Description**

**Value**

Custom tariff no.:

84137075