
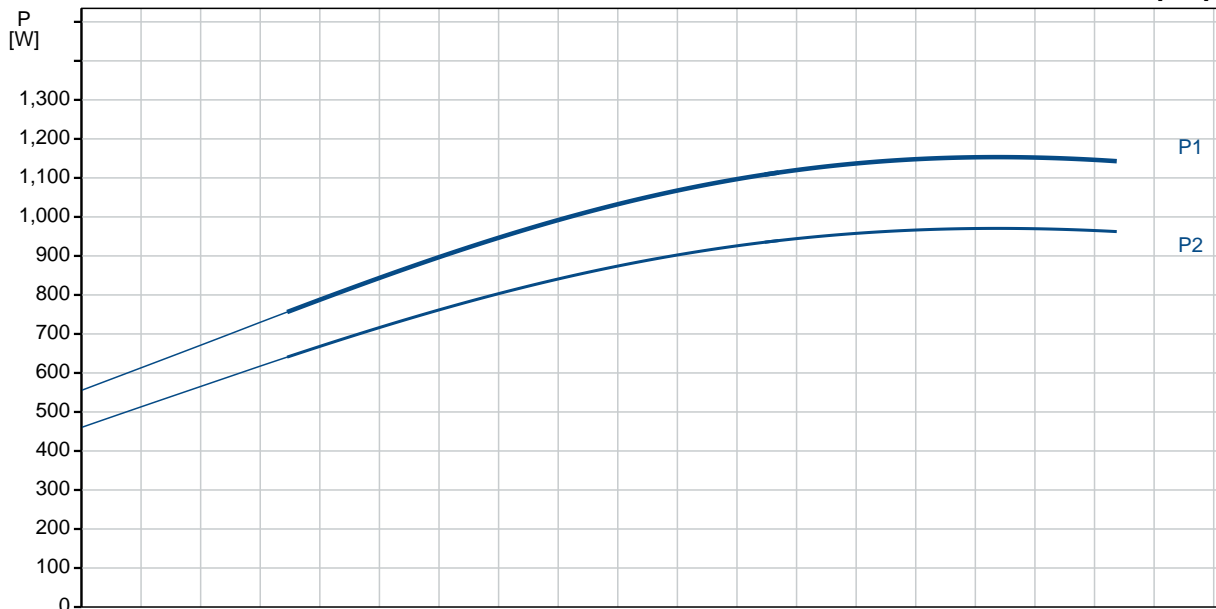
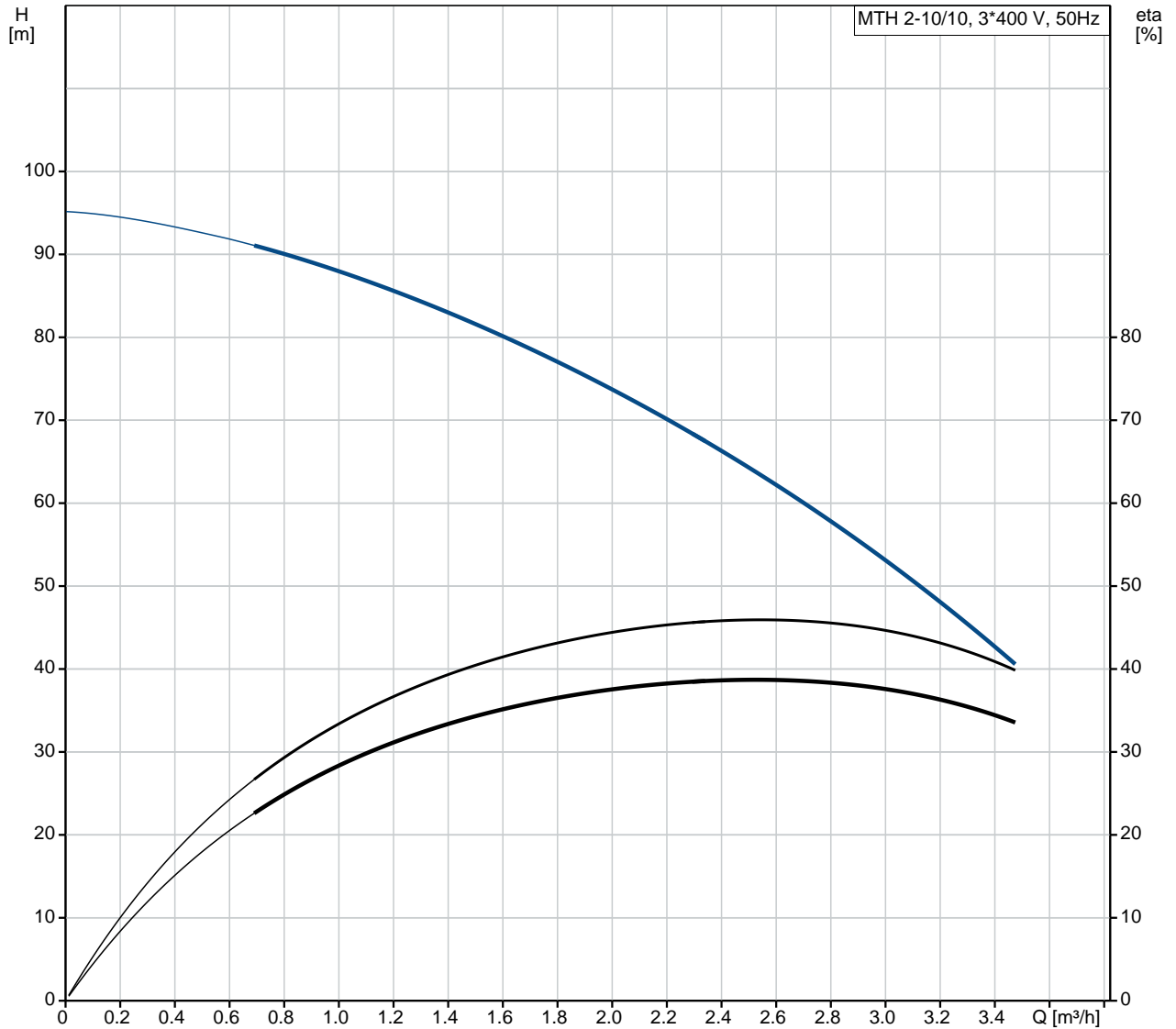


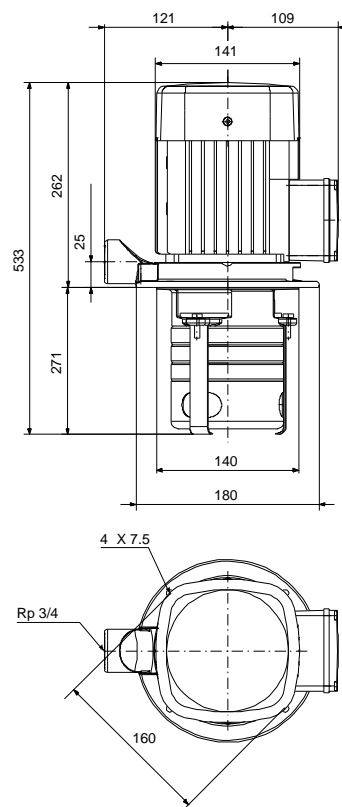
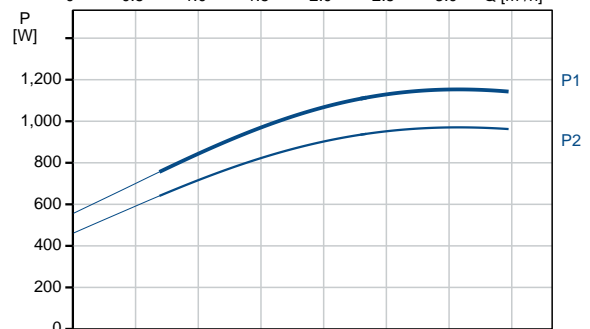
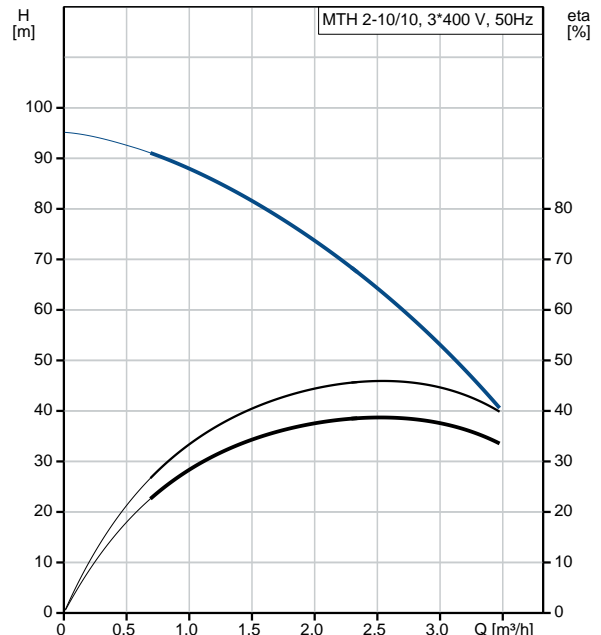
Qty.	Description
1	<p data-bbox="199 340 518 362">MTH 2-10/10 A-W-A-AQQV</p> <div data-bbox="255 436 526 694">  </div> <p data-bbox="590 728 1077 750" style="text-align: center;">Note! Product picture may differ from actual product</p> <p data-bbox="199 757 470 779">Product No.: 98992652</p> <p data-bbox="199 786 1173 808">Multistage, immersible, self-priming, centrifugal pump for vertical installation in tanks etc.</p> <p data-bbox="199 846 678 869">The pump has the following characteristics:</p> <ul data-bbox="239 875 782 987" style="list-style-type: none"> - Installation length according to DIN 5440. - Impellers, intermediate chambers and spline shaft are made of Stainless steel. - Mechanical shaft seal according to EN 12756. <p data-bbox="199 1025 742 1048">The pump is close-coupled with a 3-phase motor.</p> <p data-bbox="199 1086 295 1108">Liquid:</p> <p data-bbox="199 1115 774 1227">Pumped liquid: Water Liquid temperature range: -10 .. 90 °C Selected liquid temperature: 20 °C Density at selected liquid temperature: 998.2 kg/m³</p> <p data-bbox="199 1265 327 1288">Technical:</p> <p data-bbox="199 1294 766 1440">Rated flow: 2.5 m³/h Rated head: 64.9 m Chambers: 10 Code for shaft seal: AQQV Curve tolerance: ISO9906:2012 3B</p> <p data-bbox="199 1473 327 1496">Materials:</p> <p data-bbox="199 1503 805 1671">Pump housing: Cast iron EN 1561 EN-GJL-200 ASTM A48-25B Impeller: Stainless steel EN 1.4301 AISI 304</p> <p data-bbox="199 1709 343 1731">Installation:</p> <p data-bbox="199 1738 726 1917">Maximum ambient temperature: 40 °C Maximum operating pressure: 10 bar Max pressure at stated temp: 10 bar / 90 °C Type of connection: Rp Size of outlet connection: 3/4 inch Immersion depth: 271 mm</p> <p data-bbox="199 1951 391 1973">Electrical data:</p> <p data-bbox="199 1980 614 2092">Motor standard: IEC Frame size: 80 Multi plug: No IE efficiency class: IE3</p>

Qty.	Description
	<p>Rated power - P2: 1.1 kW Mains frequency: 50 Hz Phases: 3 Rated voltage: 220-240D/380-415Y V Service factor: 1.30 Rated current: 4.35/2.55 A Starting current: 450-500 % Rated speed: 2855 rpm Enclosure class (IEC 34-5): IP54 Insulation class (IEC 85): F Built-in motor protection: NONE</p> <p>Others: Terminal box position: 6 Minimum efficiency index, MEI : 0.70 Net weight: 17.5 kg Gross weight: 18.6 kg Country of origin: HU Custom tariff no.: 84137075</p>

98992652 MTH 2-10/10 A-W-A-AQQV 50 Hz



Description	Value
General information:	
Product name:	MTH 2-10/10 A-W-A-AQQV
Product No:	98992652
EAN number:	5712604834985
Price:	5712604834985
Price:	803,00 GBP
Technical:	
Rated flow:	2.5 m ³ /h
Rated head:	64.9 m
Chambers:	10
Impellers:	10
Number of reduced-diameter impellers:	0
Code for shaft seal:	AQQV
Curve tolerance:	ISO9906:2012 3B
Pump version:	A
Materials:	
Pump housing:	Cast iron EN 1561 EN-GJL-200
	ASTM A48-25B
Impeller:	Stainless steel EN 1.4301 AISI 304
Material code:	A
Installation:	
Maximum ambient temperature:	40 °C
Maximum operating pressure:	10 bar
Max pressure at stated temp:	10 bar / 90 °C
Type of connection:	Rp
Size of outlet connection:	3/4 inch
Immersion depth:	271 mm
Connect code:	W
Liquid:	
Pumped liquid:	Water
Liquid temperature range:	-10 .. 90 °C
Selected liquid temperature:	20 °C
Density at selected liquid temperature:	998.2 kg/m ³
Electrical data:	
Motor standard:	IEC
Frame size:	80
Multi plug:	No
IE efficiency class:	IE3
Rated power - P2:	1.1 kW
Mains frequency:	50 Hz
Phases:	3
Rated voltage:	220-240D/380-415Y V
Service factor:	1.30
Rated current:	4.35/2.55 A
Starting current:	450-500 %
Rated speed:	2855 rpm
Enclosure class (IEC 34-5):	IP54
Insulation class (IEC 85):	F
Built-in motor protection:	NONE
Others:	
Terminal box position:	6
Minimum efficiency index, MEI :	0.70
Net weight:	17.5 kg





Company name:

Created by:

Phone:

Date:

15/10/2019

Description	Value
Gross weight:	18.6 kg
Country of origin:	HU
Custom tariff no.:	84137075