


Position	Qty.	Description
	1	<p>TPD 32-230/2 A-F-A-BQQE</p>  <p>Product No.: 98958123</p> <p>Single-stage, close-coupled, volute twin-head pump with in-line suction and discharge ports of identical diameter. The twin-head pump is designed with two parallel power-heads. The pump is of the top-pull-out design, i.e. the power head (motor, pump head and impeller) can be removed for maintenance or service while the pump housing remains in the pipework.</p> <p>Each power head is fitted with an unbalanced rubber bellows seal. The shaft seal is according to EN 12756. Pipework connection is via PN 6/10 DIN flanges (EN 1092-2 and ISO 7005-2).</p> <p>Each power head is fitted with a fan-cooled asynchronous motor of identical size.</p> <p>Liquid:</p> <p>Pumped liquid: Water Liquid temperature range: -25 .. 120 °C Liquid temperature during operation: 20 °C Density: 998.2 kg/m³</p> <p>Technical:</p> <p>Rated flow: 7.1 m³/h Rated head: 15 m Actual impeller diameter: 136 mm Primary shaft seal: BQQE Curve tolerance: ISO9906:2012 3B</p> <p>Materials:</p> <p>Pump housing: Cast iron EN-JL1040 ASTM A48-40 B</p> <p>Impeller: Stainless steel DIN W.-Nr. 1.4301 AISI 304</p> <p>Installation:</p> <p>Range of ambient temperature: -30 .. 40 °C Maximum operating pressure: 10 bar Flange standard: DIN Pipe connection: DN 32 Pump inlet: DN 32 Pump outlet: DN 32 Pressure rating: PN 6/10 (@): 280 mm Flange size for motor: FT100</p> <p>Electrical data:</p> <p>Motor type: 80B Rated power - P2: 2 x 0.75 kW Mains frequency: 50 Hz Rated voltage: 1 x 220-230/240 V Rated current: 5.10/4.75 A</p>



Company name:

Created by:

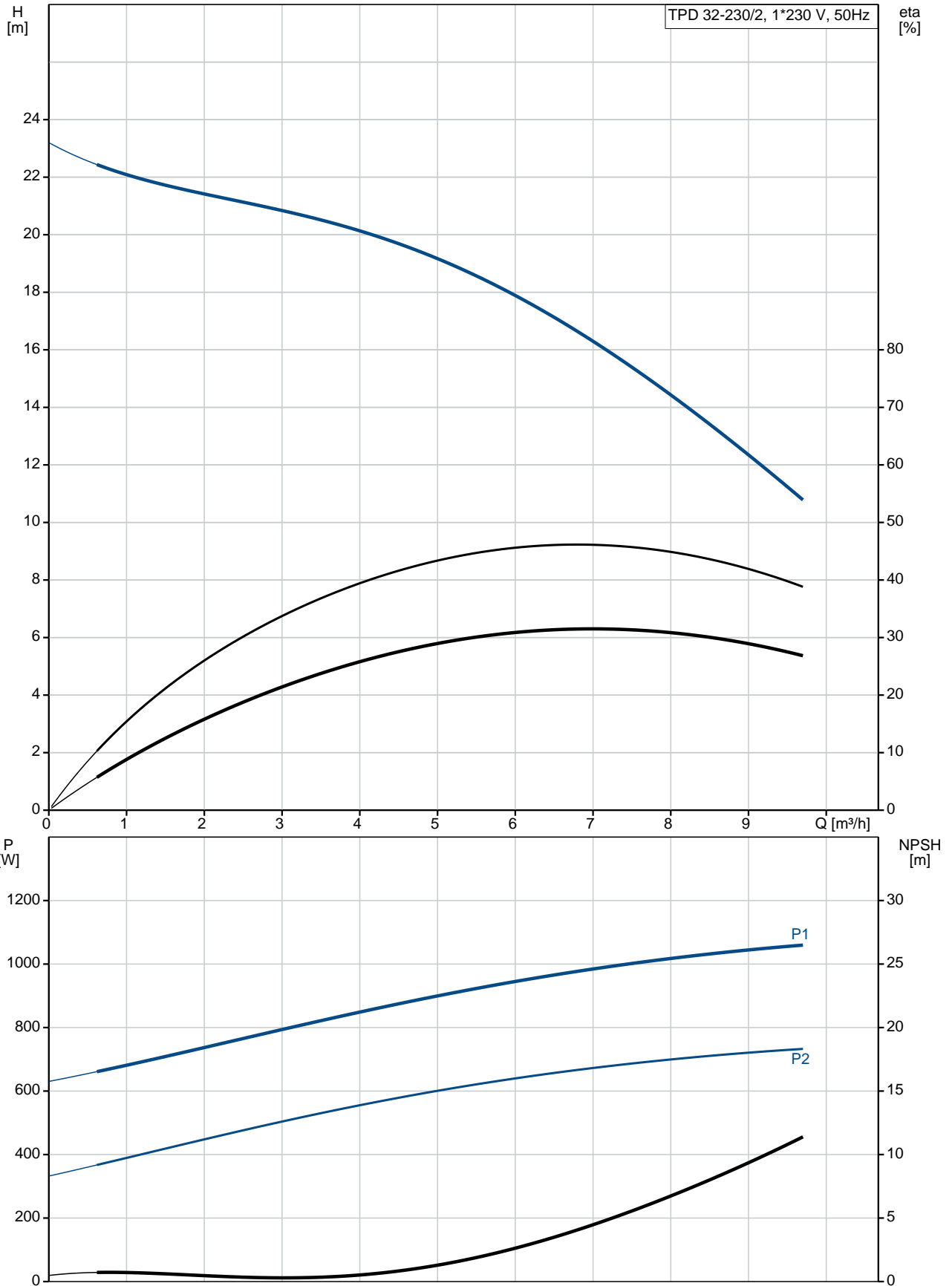
Phone:

Date:

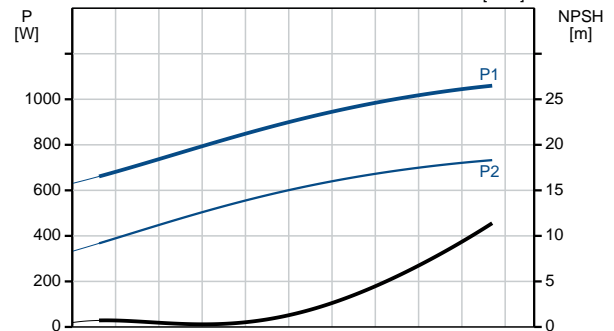
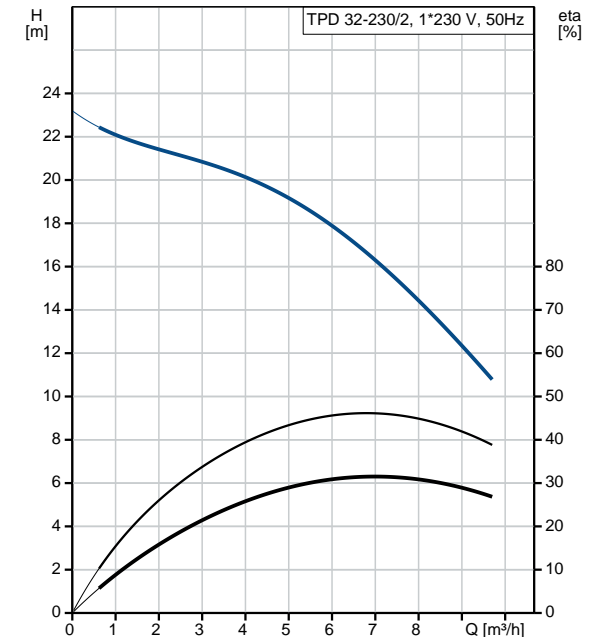
11/10/2018

Position	Qty.	Description
		Starting current: 300 % Cos phi - power factor: 0.99 Rated speed: 2780 rpm Efficiency: 72.1% Motor efficiency at full load: 72.1 % Number of poles: 2 Enclosure class (IEC 34-5): 55 Dust/Jetting Insulation class (IEC 85): F Others: Minimum efficiency index, MEI : 0.64 ErP status: EuP Standalone/Prod. Net weight: 58.7 kg Gross weight: 65.7 kg Shipping volume: 0.12 m ³ Country of origin: HU Custom tariff no.: 84137065

98958123 TPD 32-230/2 A-F-A-BQQE 50 Hz



Description	Value
General information:	
Product name:	TPD 32-230/2 A-F-A-BQQE
Product No:	98958123
EAN number:	5712604245903
Price:	2.423,00 GBP
Technical:	
Rated flow:	7.1 m ³ /h
Rated head:	15 m
Head max:	230 dm
Actual impeller diameter:	136 mm
Primary shaft seal:	BQQE
Curve tolerance:	ISO9906:2012 3B
Pump version:	A
Model:	A
Materials:	
Pump housing:	Cast iron EN-JL1040
	ASTM A48-40 B
Impeller:	Stainless steel DIN W.-Nr. 1.4301 AISI 304
Material code:	A
Installation:	
Range of ambient temperature:	-30 .. 40 °C
Maximum operating pressure:	10 bar
Flange standard:	DIN
Pipe connection:	DN 32
Pump inlet:	DN 32
Pump outlet:	DN 32
Pressure rating:	PN 6/10
(@)	280 mm
Flange size for motor:	FT100
Connect code:	F
Liquid:	
Pumped liquid:	Water
Liquid temperature range:	-25 .. 120 °C
Liquid temperature during operation:	20 °C
Density:	998.2 kg/m ³
Electrical data:	
Motor type:	80B
Rated power - P2:	2 x 0.75 kW
Mains frequency:	50 Hz
Rated voltage:	1 x 220-230/240 V
Rated current:	5.10/4.75 A
Starting current:	300 %
Cos phi - power factor:	0.99
Rated speed:	2780 rpm
Efficiency:	72.1%
Motor efficiency at full load:	72.1 %
Number of poles:	2
Enclosure class (IEC 34-5):	55 Dust/Jetting
Insulation class (IEC 85):	F
Motor protec:	PTO
Motor No:	85215104
Others:	
Minimum efficiency index, MEI :	0.64
ErP status:	EuP Standalone/Prod.
Net weight:	58.7 kg





Company name:

Created by:

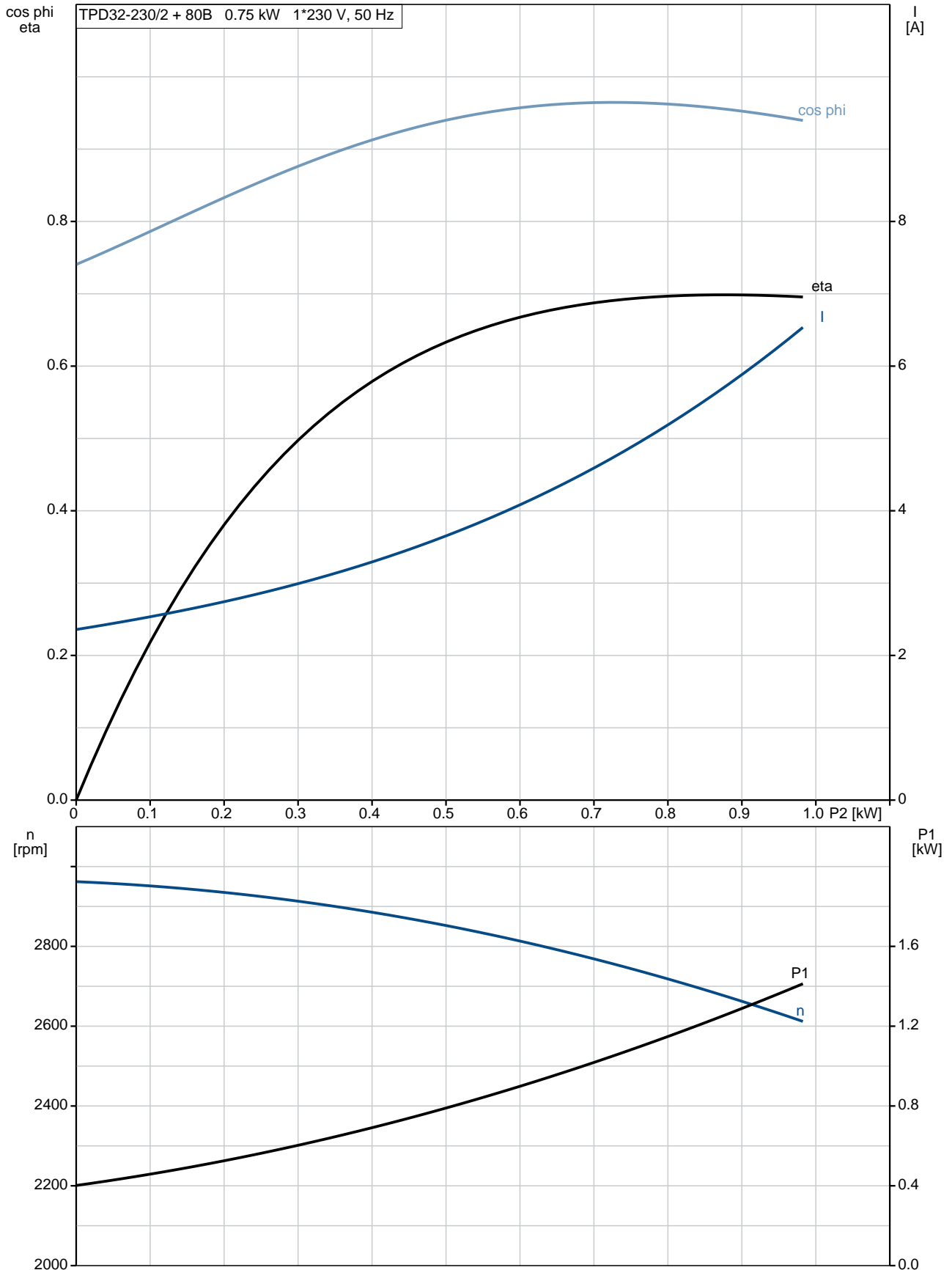
Phone:

Date:

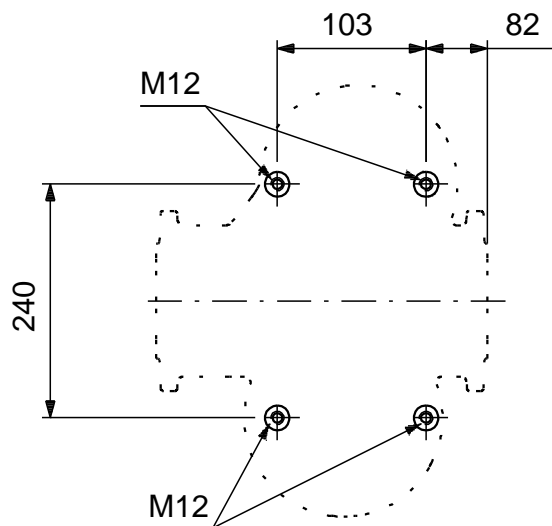
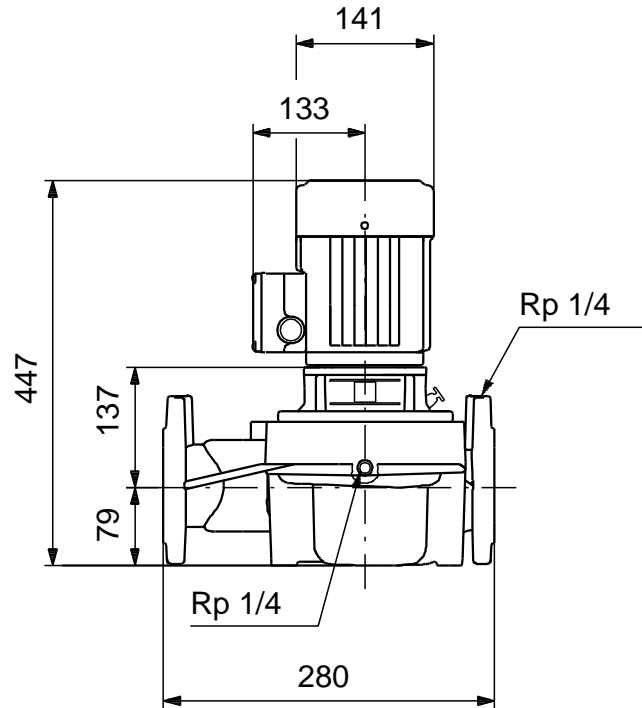
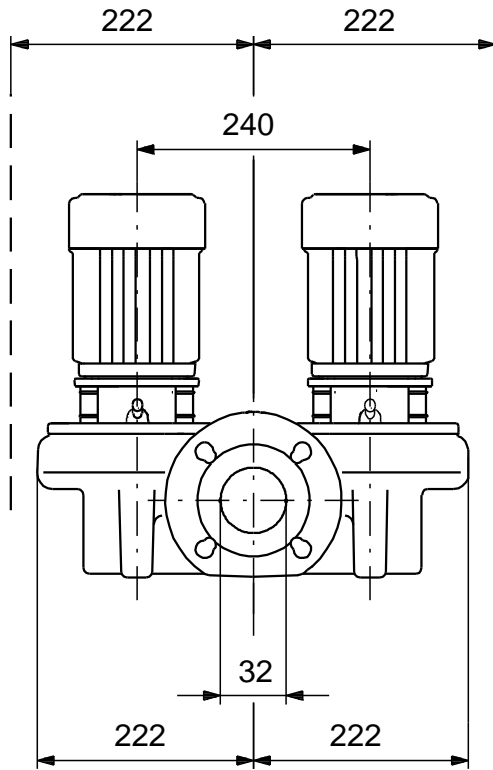
11/10/2018

Description	Value
Gross weight:	65.7 kg
Shipping volume:	0.12 m ³
Country of origin:	HU
Custom tariff no.:	84137065

98958123 TPD 32-230/2 A-F-A-BQQE 50 Hz

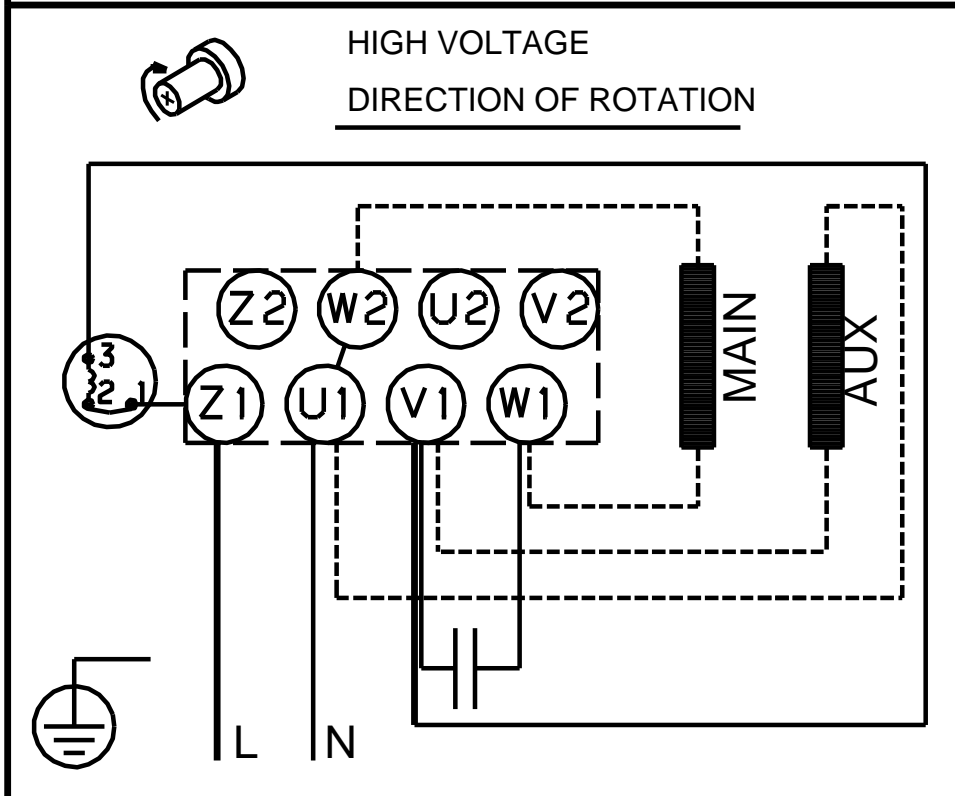
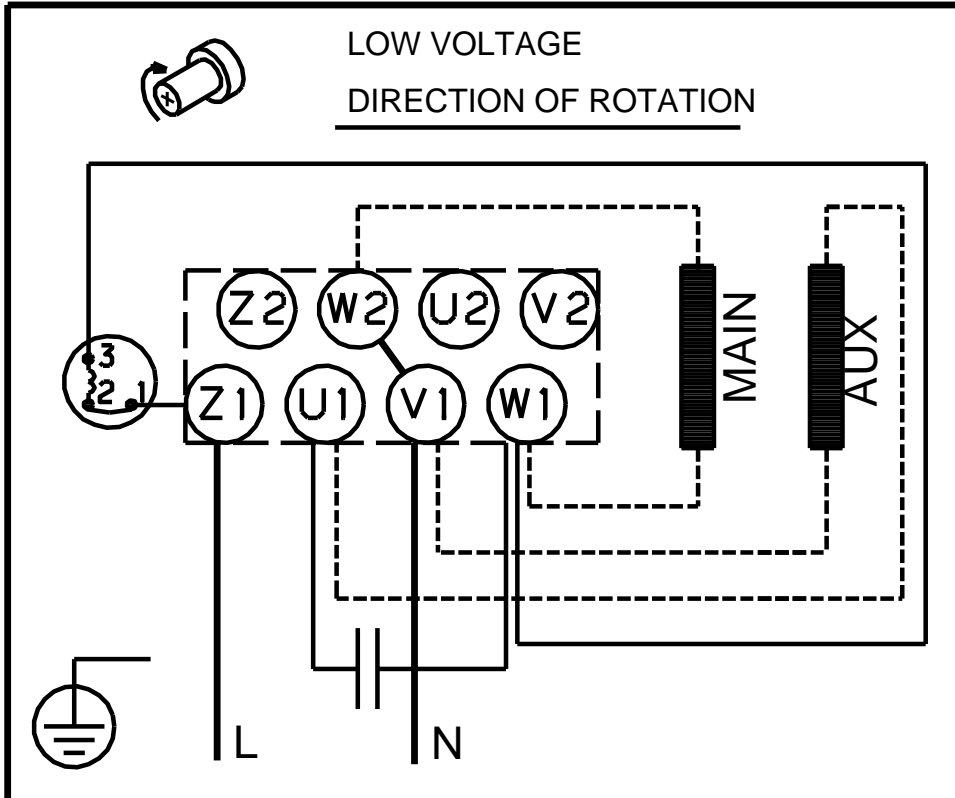


98958123 TPD 32-230/2 A-F-A-BQQE 50 Hz



Note! All units are in [mm] unless others are stated.
Disclaimer: This simplified dimensional drawing does not show all details.

98958123 TPD 32-230/2 A-F-A-BQQE 50 Hz



Note! All units are in [mm] unless others are stated.