


| Position | Qty. | Description |
|----------|------|--|
| | 1 | <p>TPD 32-30/4 A-F-A-BQQE</p>  <p>Product No.: On request</p> <p>Single-stage, close-coupled, volute twin-head pump with in-line suction and discharge ports of identical diameter. The twin-head pump is designed with two parallel power-heads. The pump is of the top-pull-out design, i.e. the power head (motor, pump head and impeller) can be removed for maintenance or service while the pump housing remains in the pipework.</p> <p>Each power head is fitted with an unbalanced rubber bellows seal. The shaft seal is according to EN 12756. Pipework connection is via PN 6/10 DIN flanges (EN 1092-2 and ISO 7005-2).</p> <p>Each power head is fitted with a fan-cooled asynchronous motor of identical size.</p> <p>Liquid:</p> <p>Pumped liquid: Water Liquid temperature range: -25 .. 120 °C Liquid temperature during operation: 20 °C Density: 998.2 kg/m³</p> <p>Technical:</p> <p>Rated flow: 5.5 m³/h Rated head: 1.8 m Actual impeller diameter: 86 mm Primary shaft seal: BQQE Curve tolerance: ISO9906:2012 3B</p> <p>Materials:</p> <p>Pump housing: Cast iron EN-JL1040 ASTM A48-40 B</p> <p>Impeller: Stainless steel DIN W.-Nr. 1.4301 AISI 304</p> <p>Installation:</p> <p>Range of ambient temperature: -30 .. 40 °C Maximum operating pressure: 10 bar Flange standard: DIN Pipe connection: DN 32 Pump inlet: DN 32 Pump outlet: DN 32 Pressure rating: PN 6/10 Port-to-port length: 220 mm Flange size for motor: FT75</p> <p>Electrical data:</p> <p>Motor type: 71A Rated power - P2: 2 x 0.12 kW Mains frequency: 50 Hz Rated voltage: 1 x 220-240 V Rated current: 1.0-1.04 A</p> |



Company name:

Created by:

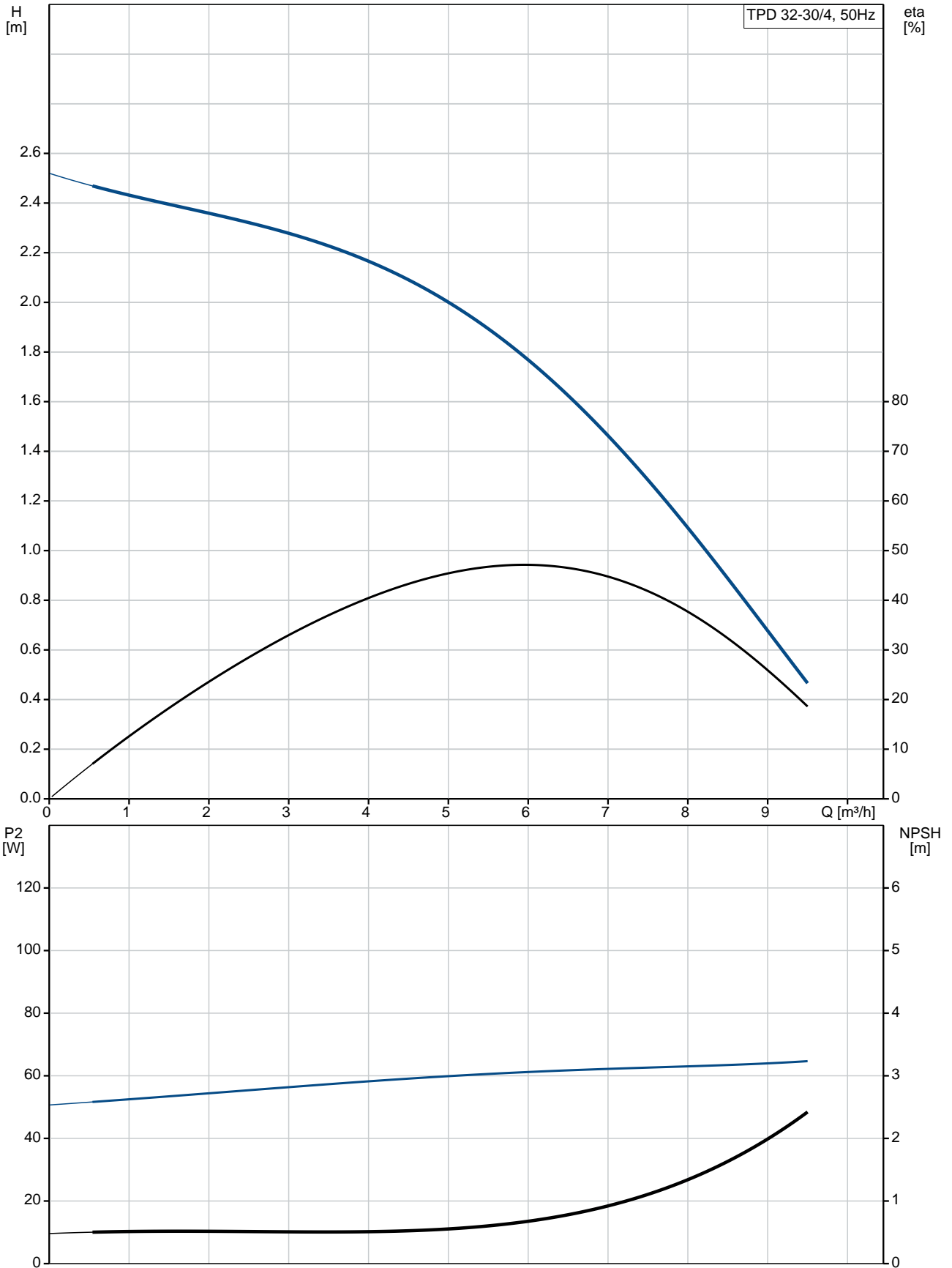
Phone:

Date:

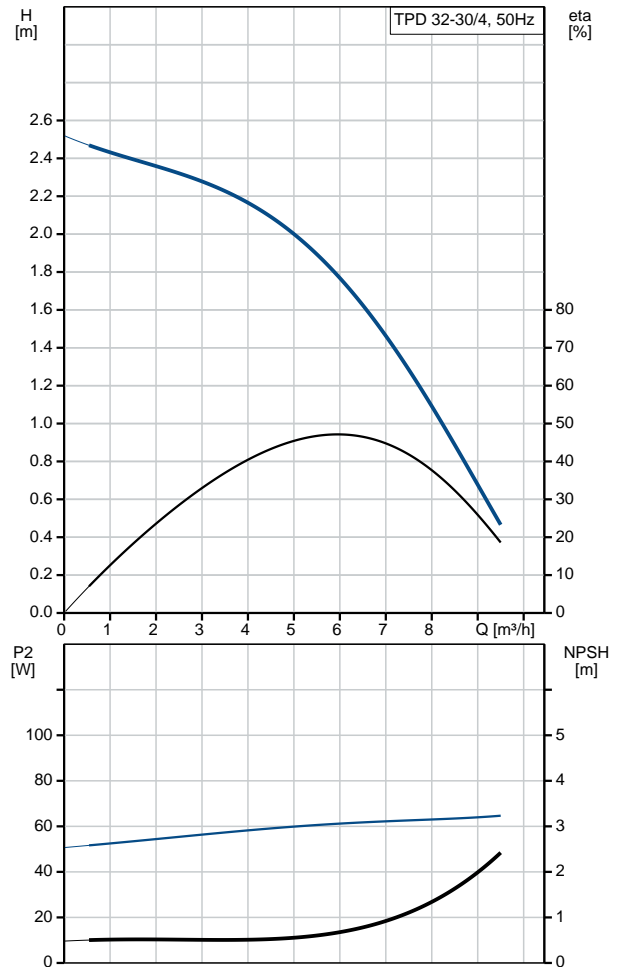
03/10/2018

| Position | Qty. | Description |
|----------|------|--|
| | | Starting current: 340-370 % Cos phi - power factor: 0.92 Rated speed: 1430-1440 rpm Motor efficiency at full load: 58.2-54.2 % Number of poles: 4 Enclosure class (IEC 34-5): 55 Dust/Jetting Insulation class (IEC 85): F Others: ErP status: EuP Standalone/Prod. Net weight: 35.4 kg Gross weight: 42.4 kg Shipping volume: 0.08 m ³ |

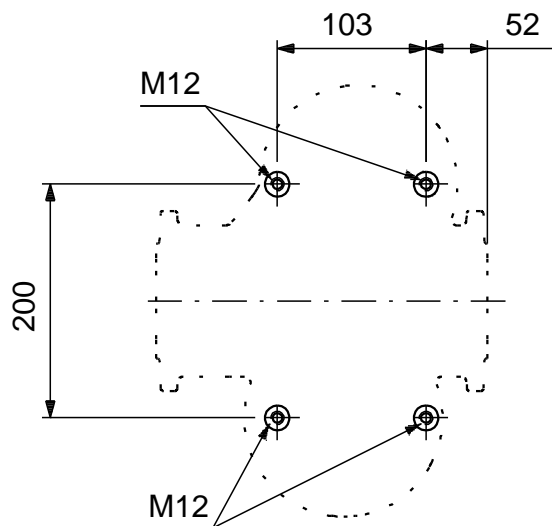
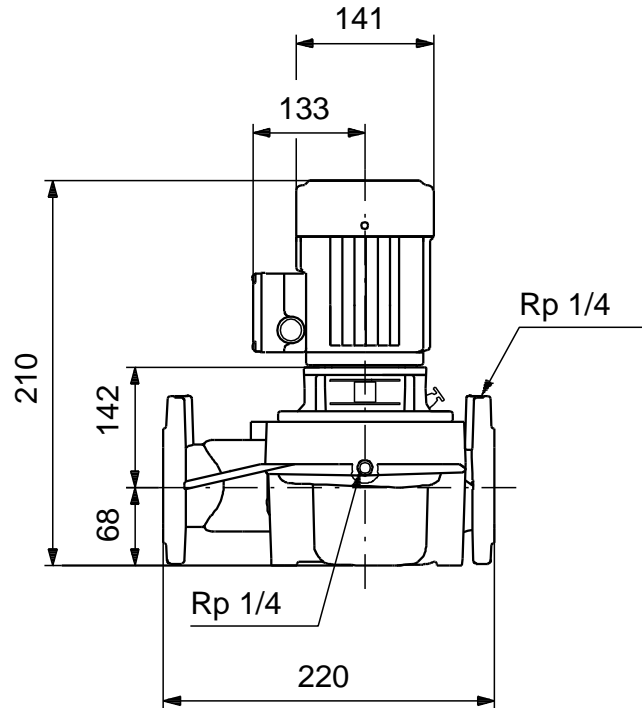
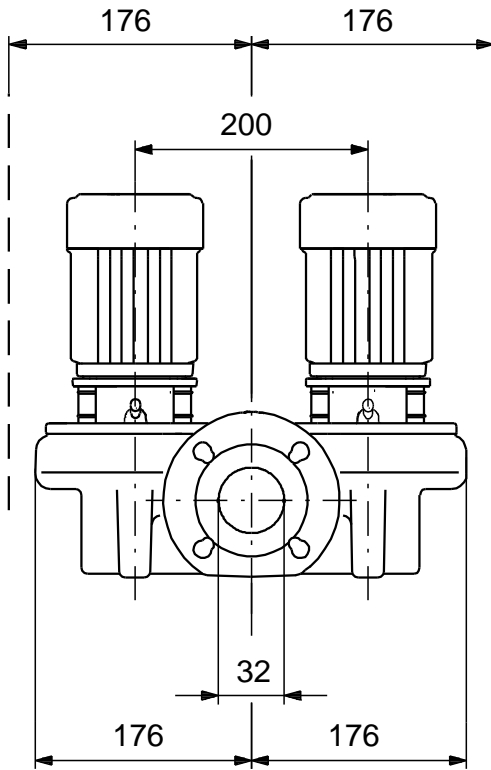
On request TPD 32-30/4 A-F-A-BQQE 50 Hz



| Description | Value |
|--------------------------------------|--|
| General information: | |
| Product name: | TPD 32-30/4 A-F-A-BQQE |
| Product No: | On request |
| EAN number: | On request |
| Technical: | |
| Rated flow: | 5.5 m ³ /h |
| Rated head: | 1.8 m |
| Head max: | 30 dm |
| Actual impeller diameter: | 86 mm |
| Primary shaft seal: | BQQE |
| Curve tolerance: | ISO9906:2012 3B |
| Pump version: | A |
| Model: | A |
| Materials: | |
| Pump housing: | Cast iron EN-JL1040 |
| | ASTM A48-40 B |
| Impeller: | Stainless steel DIN W.-Nr. 1.4301 AISI 304 |
| Material code: | A |
| Installation: | |
| Range of ambient temperature: | -30 .. 40 °C |
| Maximum operating pressure: | 10 bar |
| Flange standard: | DIN |
| Pipe connection: | DN 32 |
| Pump inlet: | DN 32 |
| Pump outlet: | DN 32 |
| Pressure rating: | PN 6/10 |
| Port-to-port length: | 220 mm |
| Flange size for motor: | FT75 |
| Connect code: | F |
| Liquid: | |
| Pumped liquid: | Water |
| Liquid temperature range: | -25 .. 120 °C |
| Liquid temperature during operation: | 20 °C |
| Density: | 998.2 kg/m ³ |
| Electrical data: | |
| Motor type: | 71A |
| Rated power - P2: | 2 x 0.12 kW |
| Mains frequency: | 50 Hz |
| Rated voltage: | 1 x 220-240 V |
| Rated current: | 1.0-1.04 A |
| Starting current: | 340-370 % |
| Cos phi - power factor: | 0.92 |
| Rated speed: | 1430-1440 rpm |
| Motor efficiency at full load: | 58.2-54.2 % |
| Number of poles: | 4 |
| Enclosure class (IEC 34-5): | 55 Dust/Jetting |
| Insulation class (IEC 85): | F |
| Motor protec: | PTO |
| Motor No: | 98714254 |
| Others: | |
| ErP status: | EuP Standalone/Prod. |
| Net weight: | 35.4 kg |
| Gross weight: | 42.4 kg |
| Shipping volume: | 0.08 m ³ |

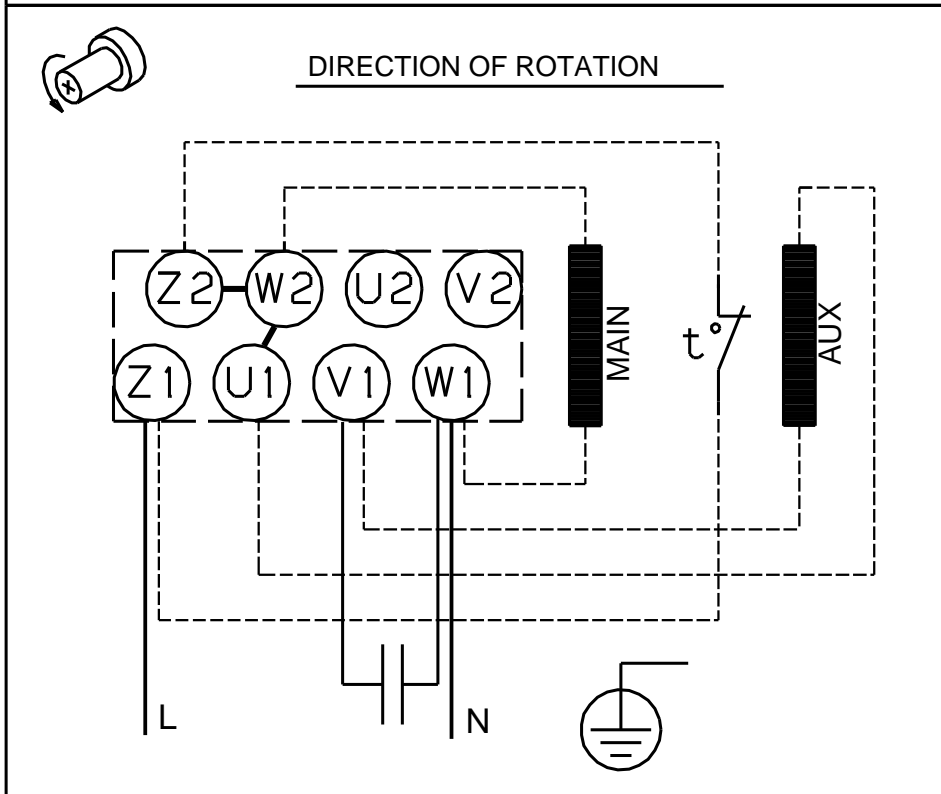
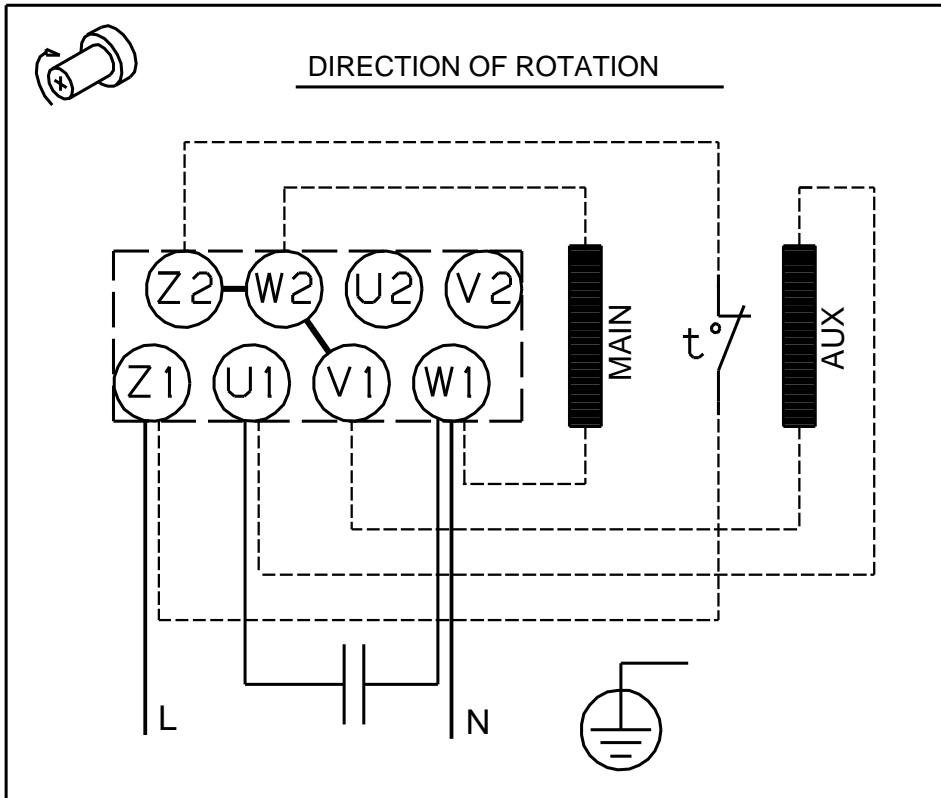


On request TPD 32-30/4 A-F-A-BQQE 50 Hz



Note! All units are in [mm] unless others are stated.
Disclaimer: This simplified dimensional drawing does not show all details.

On request TPD 32-30/4 A-F-A-BQQE 50 Hz



Note! All units are in [mm] unless others are stated.