

Qty. Description

1 NB 40-250/219 AF2ABQQE



Product No.: [98861694](#)

Non-self-priming, single-stage, centrifugal volute pump designed according to ISO 5199 with dimensions and rated performance according to EN 733 (10 bar).

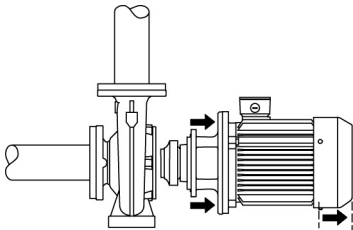
Flanges are PN 16 with dimensions according to EN 1092-2. The pump has an axial suction port, radial discharge port, horizontal shaft and a back pull-out design enabling removal of the motor, motor stool, cover and impeller without disturbing the pump housing or pipework.

The unbalanced rubber bellows seal is according to DIN EN 12756.

The pump is close-coupled to a fan-cooled asynchronous motor.

The product's minimum efficiency index (MEI) is greater or equal to 0.70. This is by the Commission Regulation (EU) considered as an indicative benchmark for best-performing water pump available on the market as from 1 January 2013.

The back pull-out design means that the pump can be serviced by a single person without disturbing the pump housing or pipes.



Cast-iron parts have an epoxy-based coating made in a cathodic electro-deposition (CED) process. CED is a high-quality dip-painting process where an electrical field around the products ensures deposition of paint particles as a thin, well-controlled layer on the surface.

Pump

The pump housing has both a priming and a drain hole closed by plugs. The impeller is a closed impeller with double-curved blades with smooth surfaces. The impeller is statically balanced according to ISO 1940-1 class G6.3 and hydraulically balanced to compensate for axial thrust.

Wear rings used in pump housing and for impeller are made of bronze/brass.

Motor stool and pump cover are made of cast iron (EN-GJL-250). Coupling guards are fitted to the motor stool. The pump cover is provided with a manual air vent screw for venting of the pump housing and the shaft seal chamber.

The pump is fitted with an unbalanced rubber bellows seal with torque transmission across the spring and around the bellows. Due to the bellows, the seal does not wear the shaft, and the axial movement is not prevented by deposits on the shaft.

Primary seal:

- Rotating seal ring material: silicon carbide (SiC)
- Stationary seat material: silicon carbide (SiC)

This material pairing is used where higher corrosion resistance is required. The high hardness of this material pairing offers good resistance against abrasive particles.

Secondary seal material: EPDM (ethylene-propylene rubber)

EPDM has excellent resistance to hot water. EPDM is not suitable for mineral oils.

The pump housing has feet.

Motor

Qty. Description

The motor is a totally enclosed, fan-cooled motor with principal dimensions to IEC and DIN standards. Electrical tolerances comply with IEC 60034.

The motor efficiency is classified as IE3 in accordance with IEC 60034-30-1.

The motor does not incorporate motor protection and must be connected to a motor-protective circuit breaker which can be manually reset. The motor-protective circuit breaker must be set according to the rated current of the motor (I1/1).

The motor can be connected to a variable speed drive for adjustment of pump performance to any duty point. Grundfos CUE offers a range of variable speed drives. Please find more information in Grundfos Product Center.

Further product details

Technical data

Controls:

Frequency converter: NONE

Pressure sensor: N

Liquid:

Pumped liquid: Water

Liquid temperature range: -25 .. 120 °C

Selected liquid temperature: 20 °C

Density: 998.2 kg/m³

Technical:

Pump speed on which pump data are based: 1445 rpm

Rated flow: 25.21 m³/h

Rated head: 13.51 m

Actual impeller diameter: 219 mm

Nominal impeller diameter: 250

Shaft seal arrangement: Single

Code for shaft seal: BQQE

Curve tolerance: ISO9906:2012 3B2

Bearing design: Standard

Materials:

Pump housing: Cast iron
EN-GJL-250
ASTM class 35

Wear ring: Brass

Impeller: Cast iron
EN-GJL-200
ASTM class 30

Shaft: Stainless steel
EN 1.4301
AISI 304

Internal pump house coating: CED

Installation:

Maximum ambient temperature: 55 °C

Maximum operating pressure: 16 bar

Pipe connection standard: EN 1092-2

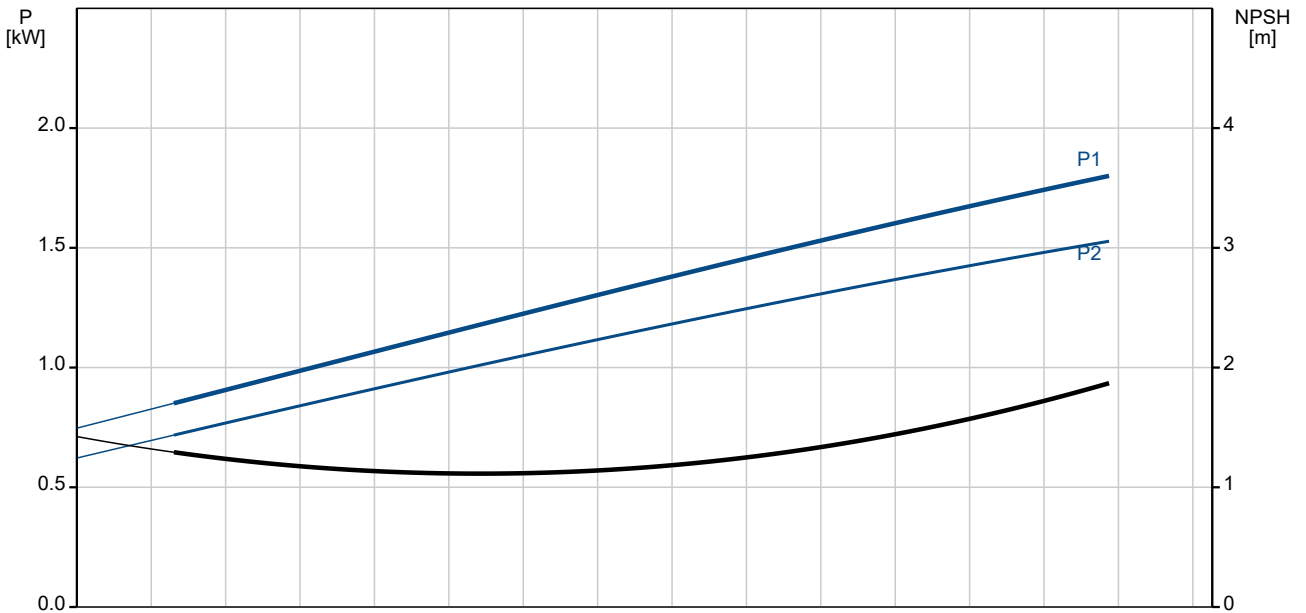
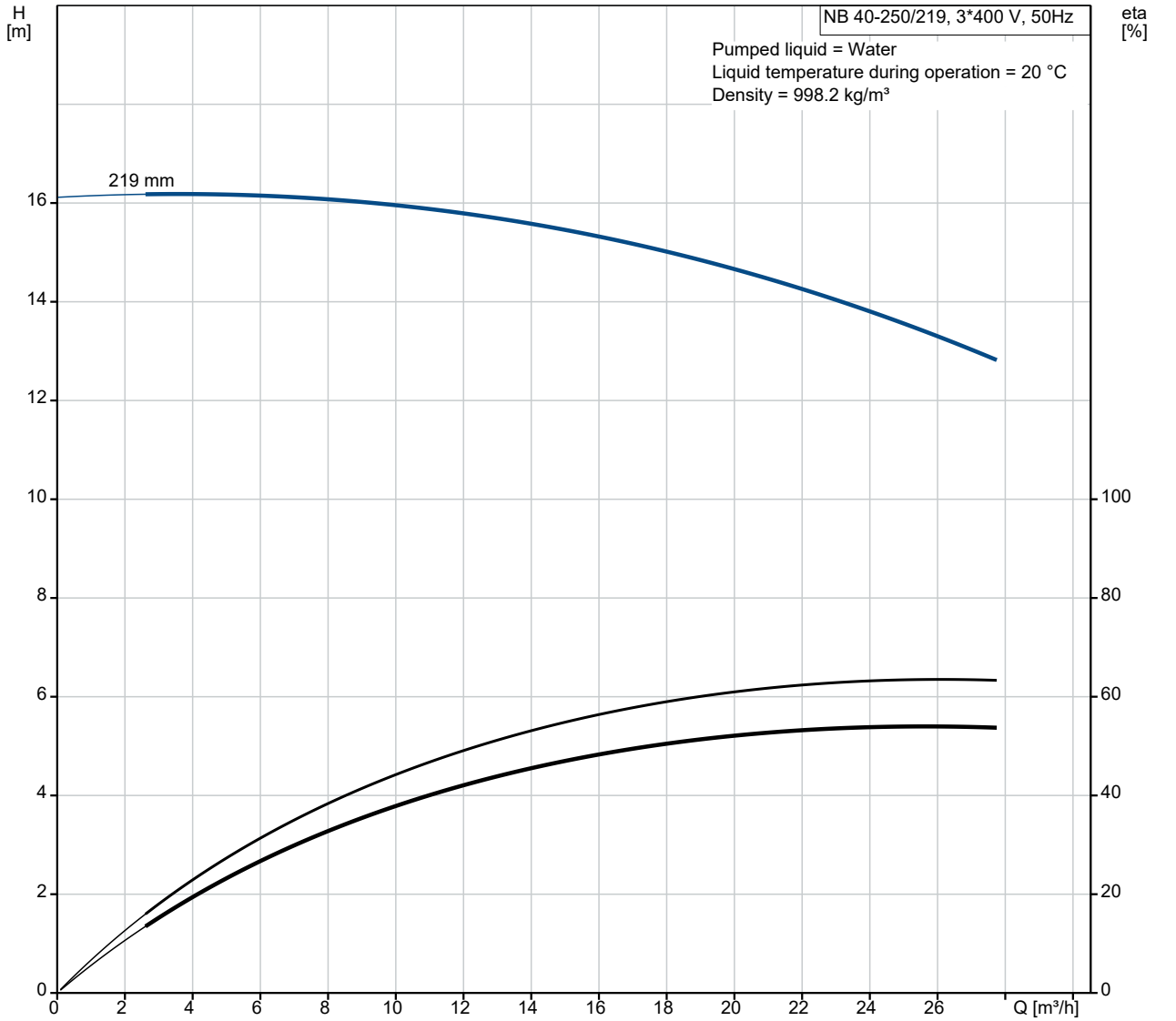
Size of inlet connection: DN 65

Size of outlet connection: DN 40

Pressure rating for connection: PN 16

Qty.	Description																																																								
	<table> <tr> <td>Bearing lubrication:</td> <td>Grease</td> </tr> <tr> <td>Pump housing with feet:</td> <td>Yes</td> </tr> <tr> <td>Support block:</td> <td>N</td> </tr> <tr> <td colspan="2">Electrical data:</td> </tr> <tr> <td>Motor type:</td> <td>SIEMENS</td> </tr> <tr> <td>IE Efficiency class:</td> <td>IE3</td> </tr> <tr> <td>Rated power - P2:</td> <td>1.5 kW</td> </tr> <tr> <td>Mains frequency:</td> <td>50 Hz</td> </tr> <tr> <td>Rated voltage:</td> <td>3 x 220-240D/380-420Y V</td> </tr> <tr> <td>Rated current:</td> <td>5,78-5,23/3,31-2,99 A</td> </tr> <tr> <td>Starting current:</td> <td>720-720 %</td> </tr> <tr> <td>Cos phi - power factor:</td> <td>0.8</td> </tr> <tr> <td>Rated speed:</td> <td>1445 rpm</td> </tr> <tr> <td>Efficiency:</td> <td>IE3 85,3%</td> </tr> <tr> <td>Motor efficiency at full load:</td> <td>85.3-85.3 %</td> </tr> <tr> <td>Motor efficiency at 3/4 load:</td> <td>86.0-86.0 %</td> </tr> <tr> <td>Motor efficiency at 1/2 load:</td> <td>85.2-85.2 %</td> </tr> <tr> <td>Number of poles:</td> <td>4</td> </tr> <tr> <td>Enclosure class (IEC 34-5):</td> <td>IP55</td> </tr> <tr> <td>Insulation class (IEC 85):</td> <td>F</td> </tr> <tr> <td>Motor No:</td> <td>83V02206</td> </tr> <tr> <td colspan="2">Others:</td> </tr> <tr> <td>Minimum efficiency index, MEI ≥:</td> <td>0.70</td> </tr> <tr> <td>Net weight:</td> <td>59 kg</td> </tr> <tr> <td>Gross weight:</td> <td>76 kg</td> </tr> <tr> <td>Shipping volume:</td> <td>0.315 m³</td> </tr> <tr> <td>Country of origin:</td> <td>HU</td> </tr> <tr> <td>Custom tariff no.:</td> <td>84137051</td> </tr> </table>	Bearing lubrication:	Grease	Pump housing with feet:	Yes	Support block:	N	Electrical data:		Motor type:	SIEMENS	IE Efficiency class:	IE3	Rated power - P2:	1.5 kW	Mains frequency:	50 Hz	Rated voltage:	3 x 220-240D/380-420Y V	Rated current:	5,78-5,23/3,31-2,99 A	Starting current:	720-720 %	Cos phi - power factor:	0.8	Rated speed:	1445 rpm	Efficiency:	IE3 85,3%	Motor efficiency at full load:	85.3-85.3 %	Motor efficiency at 3/4 load:	86.0-86.0 %	Motor efficiency at 1/2 load:	85.2-85.2 %	Number of poles:	4	Enclosure class (IEC 34-5):	IP55	Insulation class (IEC 85):	F	Motor No:	83V02206	Others:		Minimum efficiency index, MEI ≥:	0.70	Net weight:	59 kg	Gross weight:	76 kg	Shipping volume:	0.315 m ³	Country of origin:	HU	Custom tariff no.:	84137051
Bearing lubrication:	Grease																																																								
Pump housing with feet:	Yes																																																								
Support block:	N																																																								
Electrical data:																																																									
Motor type:	SIEMENS																																																								
IE Efficiency class:	IE3																																																								
Rated power - P2:	1.5 kW																																																								
Mains frequency:	50 Hz																																																								
Rated voltage:	3 x 220-240D/380-420Y V																																																								
Rated current:	5,78-5,23/3,31-2,99 A																																																								
Starting current:	720-720 %																																																								
Cos phi - power factor:	0.8																																																								
Rated speed:	1445 rpm																																																								
Efficiency:	IE3 85,3%																																																								
Motor efficiency at full load:	85.3-85.3 %																																																								
Motor efficiency at 3/4 load:	86.0-86.0 %																																																								
Motor efficiency at 1/2 load:	85.2-85.2 %																																																								
Number of poles:	4																																																								
Enclosure class (IEC 34-5):	IP55																																																								
Insulation class (IEC 85):	F																																																								
Motor No:	83V02206																																																								
Others:																																																									
Minimum efficiency index, MEI ≥:	0.70																																																								
Net weight:	59 kg																																																								
Gross weight:	76 kg																																																								
Shipping volume:	0.315 m ³																																																								
Country of origin:	HU																																																								
Custom tariff no.:	84137051																																																								

98861694 NB 40-250/219 AF2ABQQE 50 Hz





Company name:

Created by:

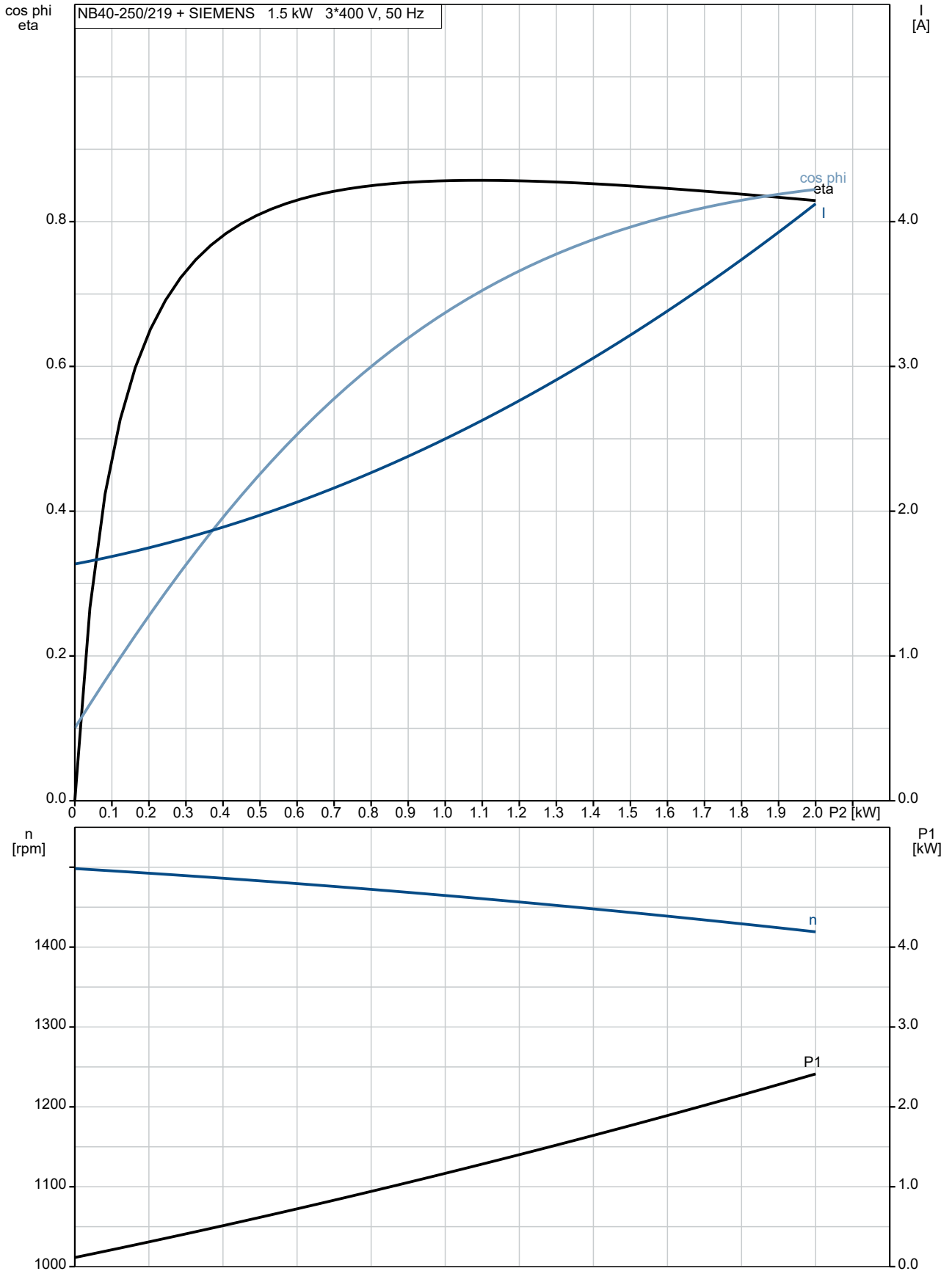
Phone:

Date:

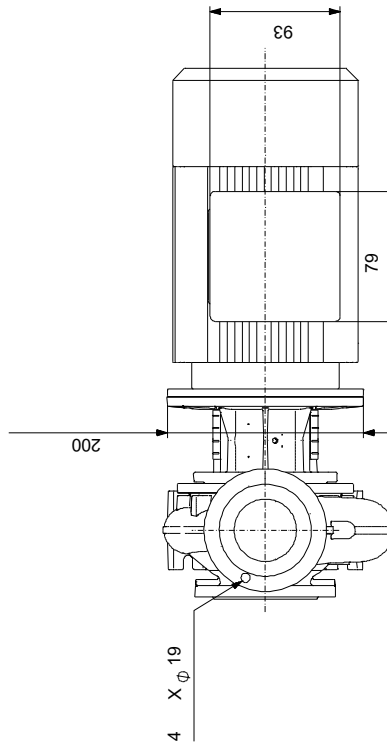
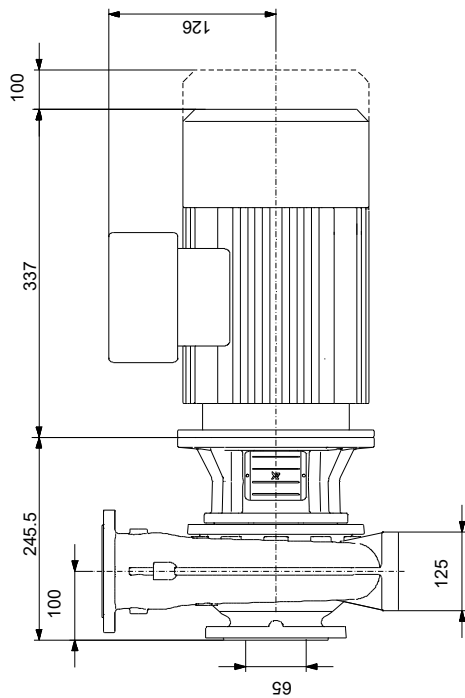
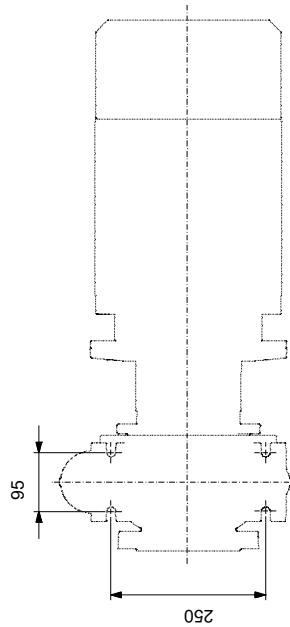
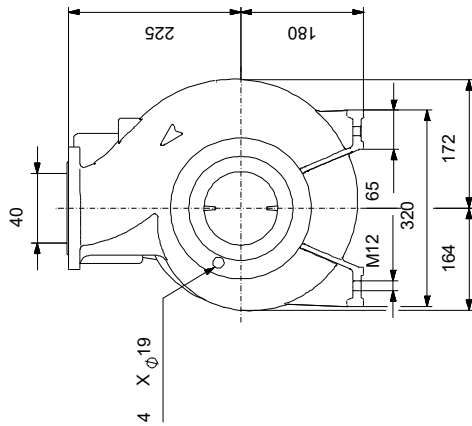
12/08/2021

Description	Value
Rated speed:	1445 rpm
Efficiency:	IE3 85,3%
Motor efficiency at full load:	85.3-85.3 %
Motor efficiency at 3/4 load:	86.0-86.0 %
Motor efficiency at 1/2 load:	85.2-85.2 %
Number of poles:	4
Enclosure class (IEC 34-5):	IP55
Insulation class (IEC 85):	F
Motor protec:	NONE
Motor No:	83V02206
Mount. design. acc. IEC 34-7:	IM V1
Controls:	
Frequency converter:	NONE
Pressure sensor:	N
Others:	
Minimum efficiency index, MEI \geq :	0.70
Net weight:	59 kg
Gross weight:	76 kg
Shipping volume:	0.315 m ³
Country of origin:	HU
Custom tariff no.:	84137051

98861694 NB 40-250/219 AF2ABQQE 50 Hz

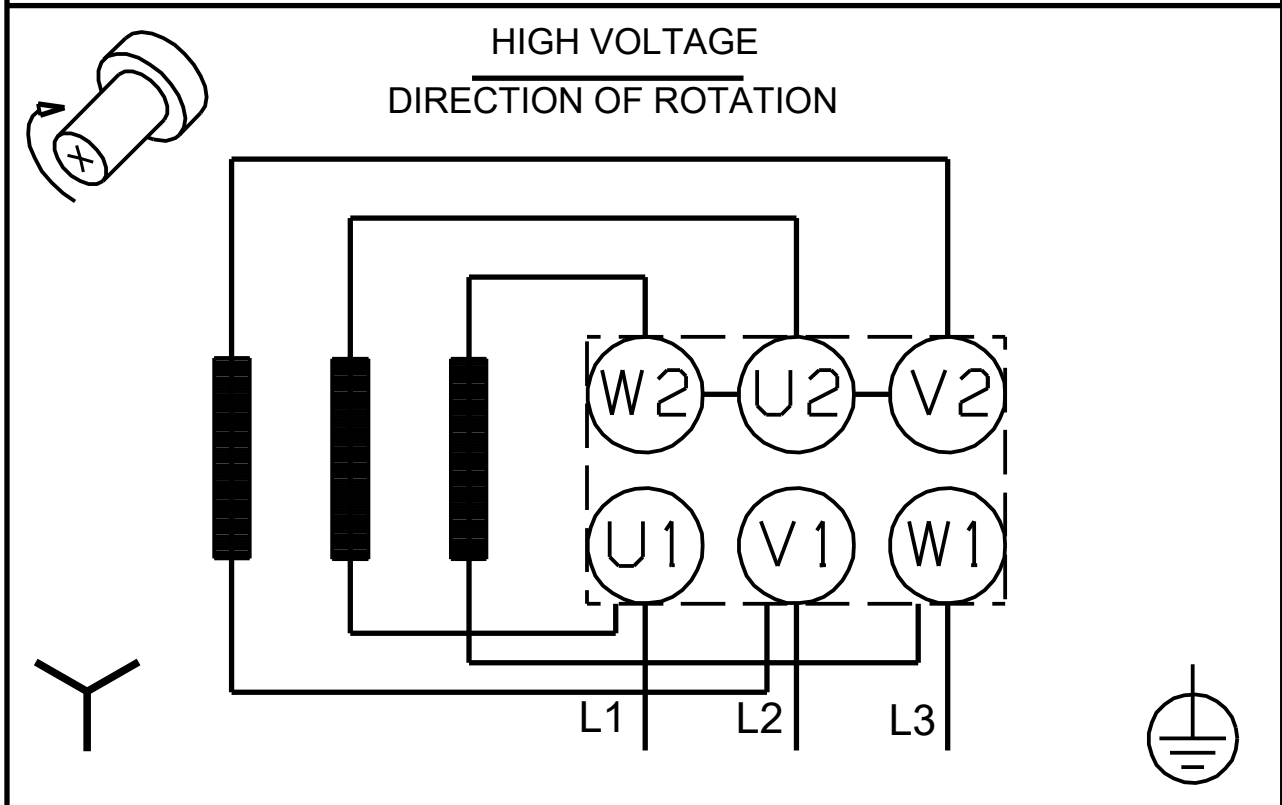
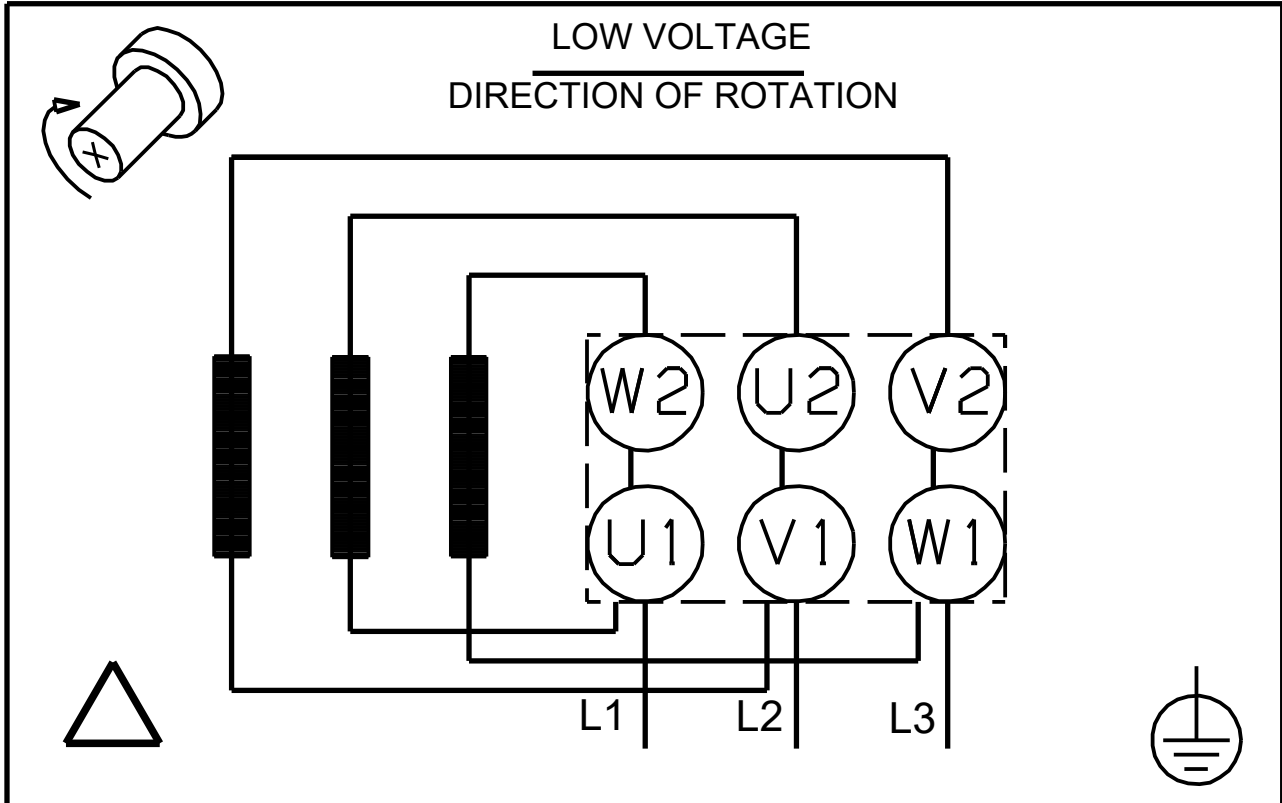


98861694 NB 40-250/219 AF2ABQQE 50 Hz



Note! All units are in [mm] unless others are stated.
Disclaimer: This simplified dimensional drawing does not show all details.

98861694 NB 40-250/219 AF2ABQQE 50 Hz



Note! All units are in [mm] unless others are stated.