

Qty. Description

1 NB 100-160/169 EUP AF2ABQQE



Product No.: [98846059](#)

Non-self-priming, single-stage, centrifugal volute pump designed according to ISO 5199 with dimensions and rated performance according to EN 733 (10 bar).

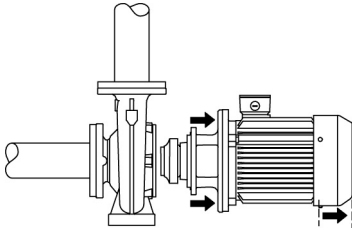
Flanges are PN 16 with dimensions according to EN 1092-2. The pump has an axial suction port, radial discharge port, horizontal shaft and a back pull-out design enabling removal of the motor, motor stool, cover and impeller without disturbing the pump housing or pipework.

The unbalanced rubber bellows seal is according to DIN EN 12756.

The pump is close-coupled to a fan-cooled asynchronous motor.

The product's minimum efficiency index (MEI) is greater or equal to 0.70. This is by the Commission Regulation (EU) considered as an indicative benchmark for best-performing water pump available on the market as from 1 January 2013.

The back pull-out design means that the pump can be serviced by a single person without disturbing the pump housing or pipes.



Cast-iron parts have an epoxy-based coating made in a cathodic electro-deposition (CED) process. CED is a high-quality dip-painting process where an electrical field around the products ensures deposition of paint particles as a thin, well-controlled layer on the surface.

Pump

The pump housing has both a priming and a drain hole closed by plugs. The impeller is a closed impeller with double-curved blades with smooth surfaces. The impeller is statically balanced according to ISO 1940-1 class G6.3 and hydraulically balanced to compensate for axial thrust.

Wear rings used in pump housing and for impeller are made of bronze/brass.

Motor stool and pump cover are made of cast iron (EN-GJL-250). Coupling guards are fitted to the motor stool. The pump cover is provided with a manual air vent screw for venting of the pump housing and the shaft seal chamber.

The pump is fitted with an unbalanced rubber bellows seal with torque transmission across the spring and around the bellows. Due to the bellows, the seal does not wear the shaft, and the axial movement is not prevented by deposits on the shaft.

Primary seal:

- Rotating seal ring material: silicon carbide (SiC)
- Stationary seat material: silicon carbide (SiC)

This material pairing is used where higher corrosion resistance is required. The high hardness of this material pairing offers good resistance against abrasive particles.

Secondary seal material: EPDM (ethylene-propylene rubber)

EPDM has excellent resistance to hot water. EPDM is not suitable for mineral oils.

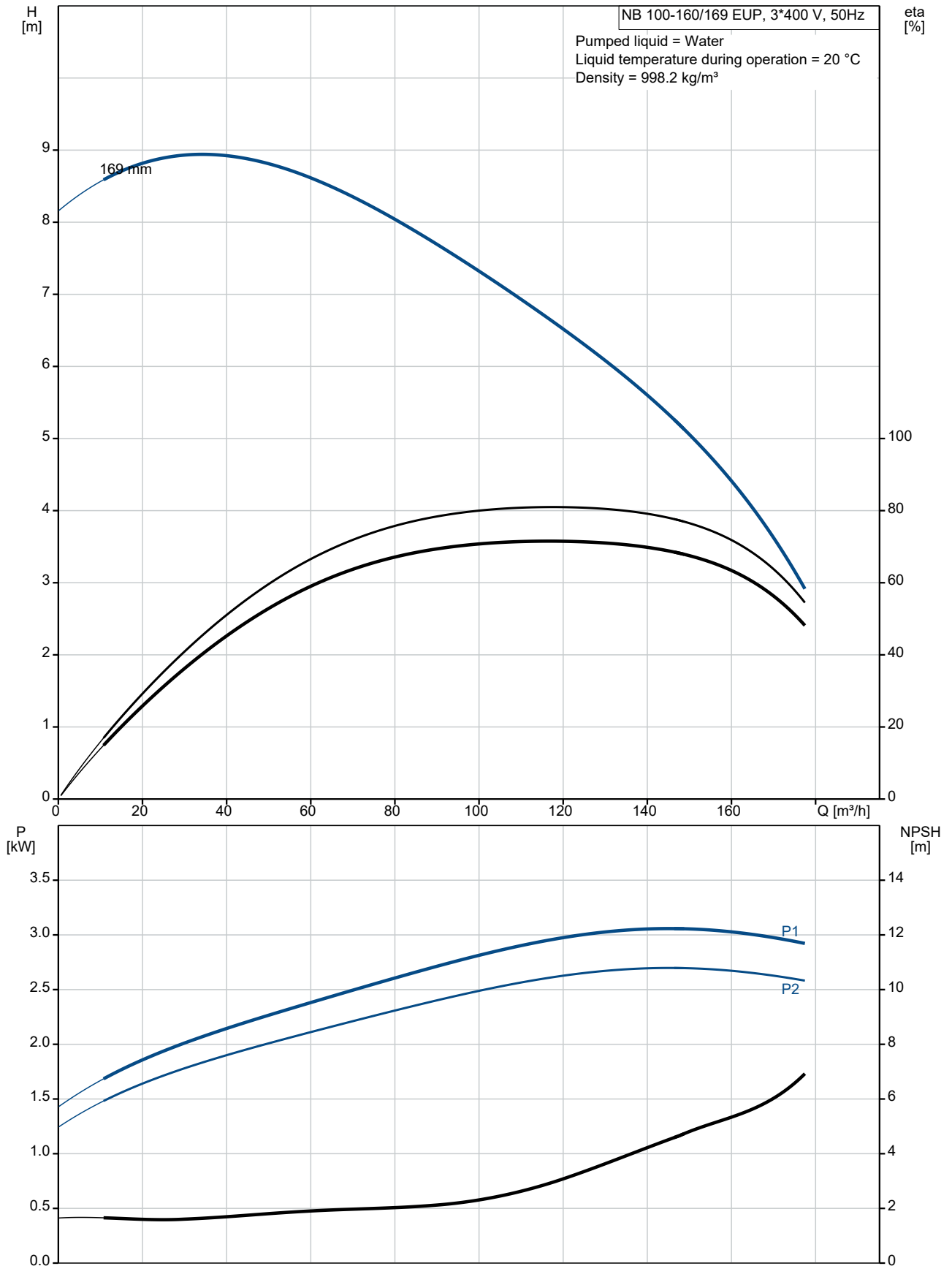
The pump housing has feet.

Motor

Qty.	Description
	<p>The motor is a totally enclosed, fan-cooled motor with principal dimensions to IEC and DIN standards. Electrical tolerances comply with IEC 60034.</p> <p>The motor efficiency is classified as IE3 in accordance with IEC 60034-30-1.</p> <p>The motor has thermistors (PTC sensors) in the windings in accordance with DIN 44081/DIN 44082. The protection reacts to both slow- and quick-rising temperatures, e.g. constant overload and stalled conditions.</p> <p>Thermal switches must be connected to an external control circuit in a way which ensures that the automatic reset cannot cause accidents. The motors must be connected to a motor-protective circuit breaker according to local regulations.</p> <p>The motor can be connected to a variable speed drive for adjustment of pump performance to any duty point. Grundfos CUE offers a range of variable speed drives. Please find more information in Grundfos Product Center.</p> <p>Further product details</p> <p>Technical data</p> <p>Controls:</p> <p>Frequency converter: NONE</p> <p>Pressure sensor: N</p> <p>Liquid:</p> <p>Pumped liquid: Water</p> <p>Liquid temperature range: -25 .. 120 °C</p> <p>Selected liquid temperature: 20 °C</p> <p>Density: 998.2 kg/m³</p> <p>Technical:</p> <p>Pump speed on which pump data are based: 1460 rpm</p> <p>Rated flow: 117.8 m³/h</p> <p>Rated head: 6.59 m</p> <p>Actual impeller diameter: 169 mm</p> <p>Nominal impeller diameter: 160</p> <p>Shaft seal arrangement: Single</p> <p>Code for shaft seal: BQQE</p> <p>Curve tolerance: ISO9906:2012 3B2</p> <p>Bearing design: Standard</p> <p>Materials:</p> <p>Pump housing: Cast iron EN-GJL-250 ASTM class 35</p> <p>Wear ring: Brass</p> <p>Impeller: Cast iron EN-GJL-200 ASTM class 30</p> <p>Shaft: Stainless steel EN 1.4301 AISI 304</p> <p>Internal pump house coating: CED</p> <p>Installation:</p> <p>Maximum ambient temperature: 55 °C</p> <p>Maximum operating pressure: 16 bar</p> <p>Pipe connection standard: EN 1092-2</p> <p>Size of inlet connection: DN 125</p>

Qty.	Description
	<p>Size of outlet connection: DN 100</p> <p>Pressure rating for connection: PN 16</p> <p>Bearing lubrication: Grease</p> <p>Pump housing with feet: Yes</p> <p>Support block: N</p> <p>Electrical data:</p> <p>Motor type: SIEMENS</p> <p>IE Efficiency class: IE3</p> <p>Rated power - P2: 3 kW</p> <p>Mains frequency: 50 Hz</p> <p>Rated voltage: 3 x 220-240D/380-420Y V</p> <p>Rated current: 10,82-9,79/6,3-5,7 A</p> <p>Starting current: 730-730 %</p> <p>Cos phi - power factor: 0.83</p> <p>Rated speed: 1460 rpm</p> <p>Efficiency: IE3 87,7%</p> <p>Motor efficiency at full load: 87.7-87.7 %</p> <p>Motor efficiency at 3/4 load: 88.4-88.4 %</p> <p>Motor efficiency at 1/2 load: 88.2-88.2 %</p> <p>Number of poles: 4</p> <p>Enclosure class (IEC 34-5): IP55</p> <p>Insulation class (IEC 85): F</p> <p>Motor No: 83V05210</p> <p>Others:</p> <p>Minimum efficiency index, MEI \geq: 0.70</p> <p>Net weight: 93 kg</p> <p>Gross weight: 110 kg</p> <p>Shipping volume: 0.315 m³</p> <p>Country of origin: HU</p> <p>Custom tariff no.: 84137051</p>

98846059 NB 100-160/169 EUP AF2ABQQE 50 Hz



Description	Value
-------------	-------

General information:

Product name: NB 100-160/169 EUP AF2ABQQE
 Product No: 98846059
 EAN number: 5712602299472
 Price: GBP 2267

Technical:

Pump speed on which pump data are based: 1460 rpm
 Rated flow: 117.8 m³/h
 Rated head: 6.59 m
 Actual impeller diameter: 169 mm
 Nominal impeller diameter: 160
 Shaft seal arrangement: Single
 Shaft diameter: 24 mm
 Code for shaft seal: BQQE
 Curve tolerance: ISO9906:2012 3B2
 Pump version: A
 Bearing design: Standard

Materials:

Pump housing: Cast iron
 Pump housing: EN-GJL-250
 Pump housing: ASTM class 35
 Wear ring: Brass
 Impeller: Cast iron
 Impeller: EN-GJL-200
 Impeller: ASTM class 30
 Shaft: Stainless steel
 Shaft: EN 1.4301
 Shaft: AISI 304
 Internal pump house coating: CED
 Material code: A
 Code for rubber: E

Installation:

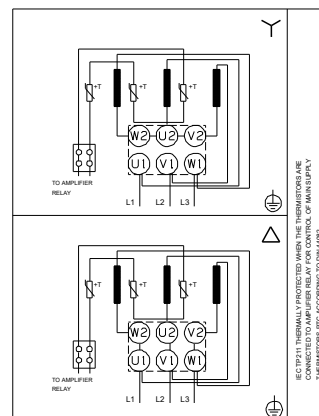
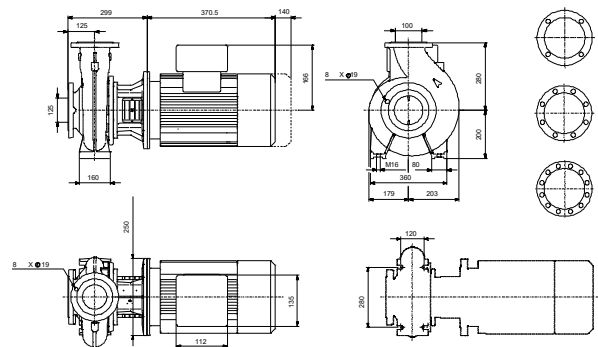
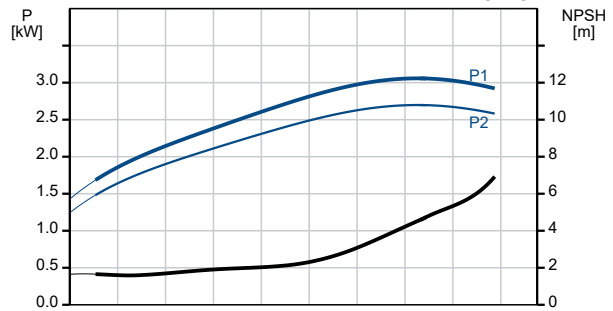
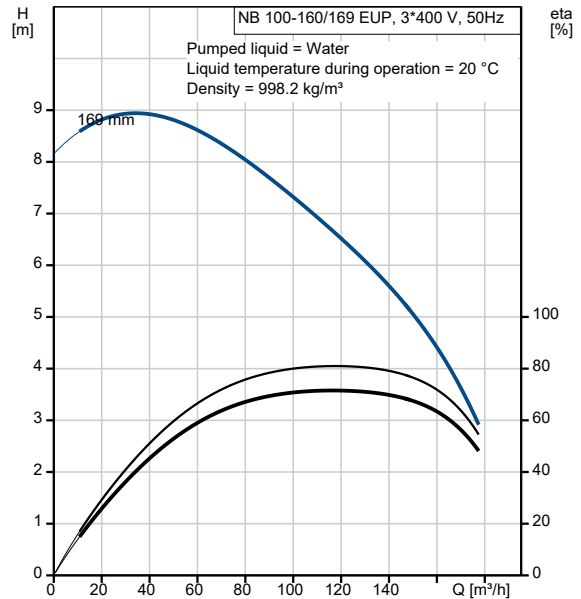
Maximum ambient temperature: 55 °C
 Maximum operating pressure: 16 bar
 Pipe connection standard: EN 1092-2
 Size of inlet connection: DN 125
 Size of outlet connection: DN 100
 Pressure rating for connection: PN 16
 Bearing lubrication: Grease
 Pump housing with feet: Yes
 Support block: N
 Connect code: F2

Liquid:

Pumped liquid: Water
 Liquid temperature range: -25 .. 120 °C
 Selected liquid temperature: 20 °C
 Density: 998.2 kg/m³

Electrical data:

Motor type: SIEMENS
 IE Efficiency class: IE3
 Rated power - P2: 3 kW
 Mains frequency: 50 Hz
 Rated voltage: 3 x 220-240D/380-420Y V
 Rated current: 10,82-9,79/6,3-5,7 A
 Starting current: 730-730 %
 Cos phi - power factor: 0.83
 Rated speed: 1460 rpm





Company name:

Created by:

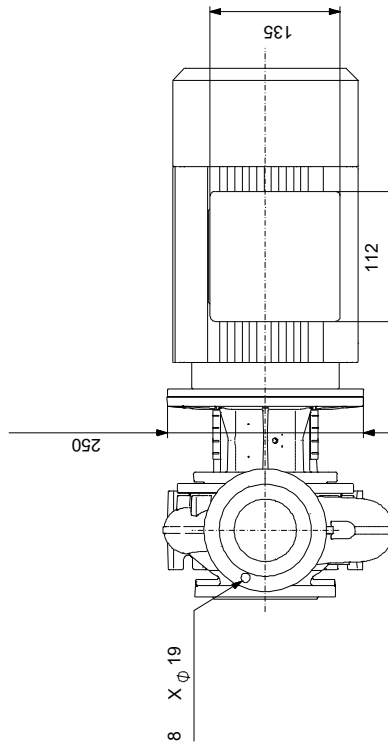
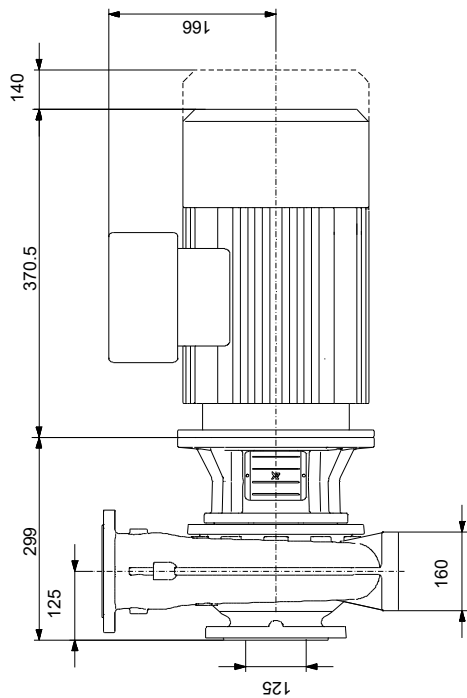
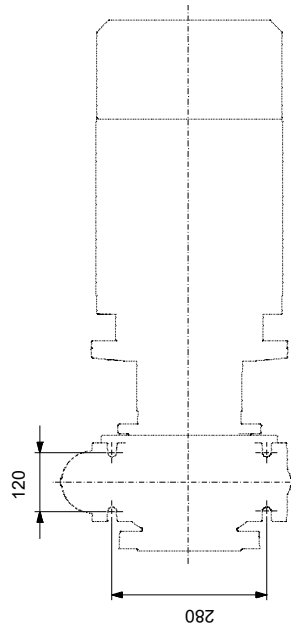
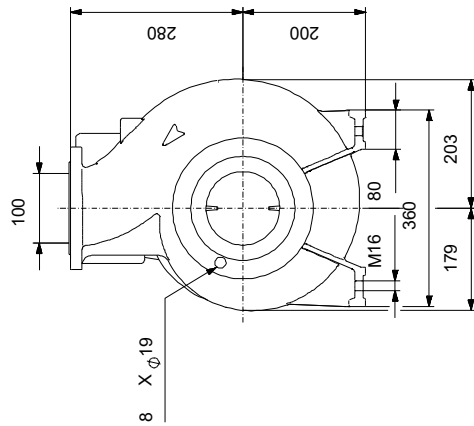
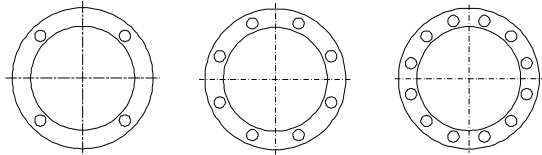
Phone:

Date:

12/08/2021

Description	Value
Efficiency:	IE3 87,7%
Motor efficiency at full load:	87.7-87.7 %
Motor efficiency at 3/4 load:	88.4-88.4 %
Motor efficiency at 1/2 load:	88.2-88.2 %
Number of poles:	4
Enclosure class (IEC 34-5):	IP55
Insulation class (IEC 85):	F
Motor protec:	PTC
Motor No:	83V05210
Mount. design. acc. IEC 34-7:	IM V1
Controls:	
Frequency converter:	NONE
Pressure sensor:	N
Others:	
Minimum efficiency index, MEI ≥:	0.70
Net weight:	93 kg
Gross weight:	110 kg
Shipping volume:	0.315 m ³
Country of origin:	HU
Custom tariff no.:	84137051

98846059 NB 100-160/169 EUP AF2ABQQE 50 Hz



Note! All units are in [mm] unless others are stated.
Disclaimer: This simplified dimensional drawing does not show all details.

98846059 NB 100-160/169 EUP AF2ABQQE 50 Hz



IEC TP211 THERMALLY PROTECTED WHEN THE THERMISTORS ARE
CONNECTED TO AMPLIFIER RELAY FOR CONTROL OF MAIN SUPPLY
THERMISTORS PTC ACCORDING TO DIN 44082

Note! All units are in [mm] unless others are stated.