
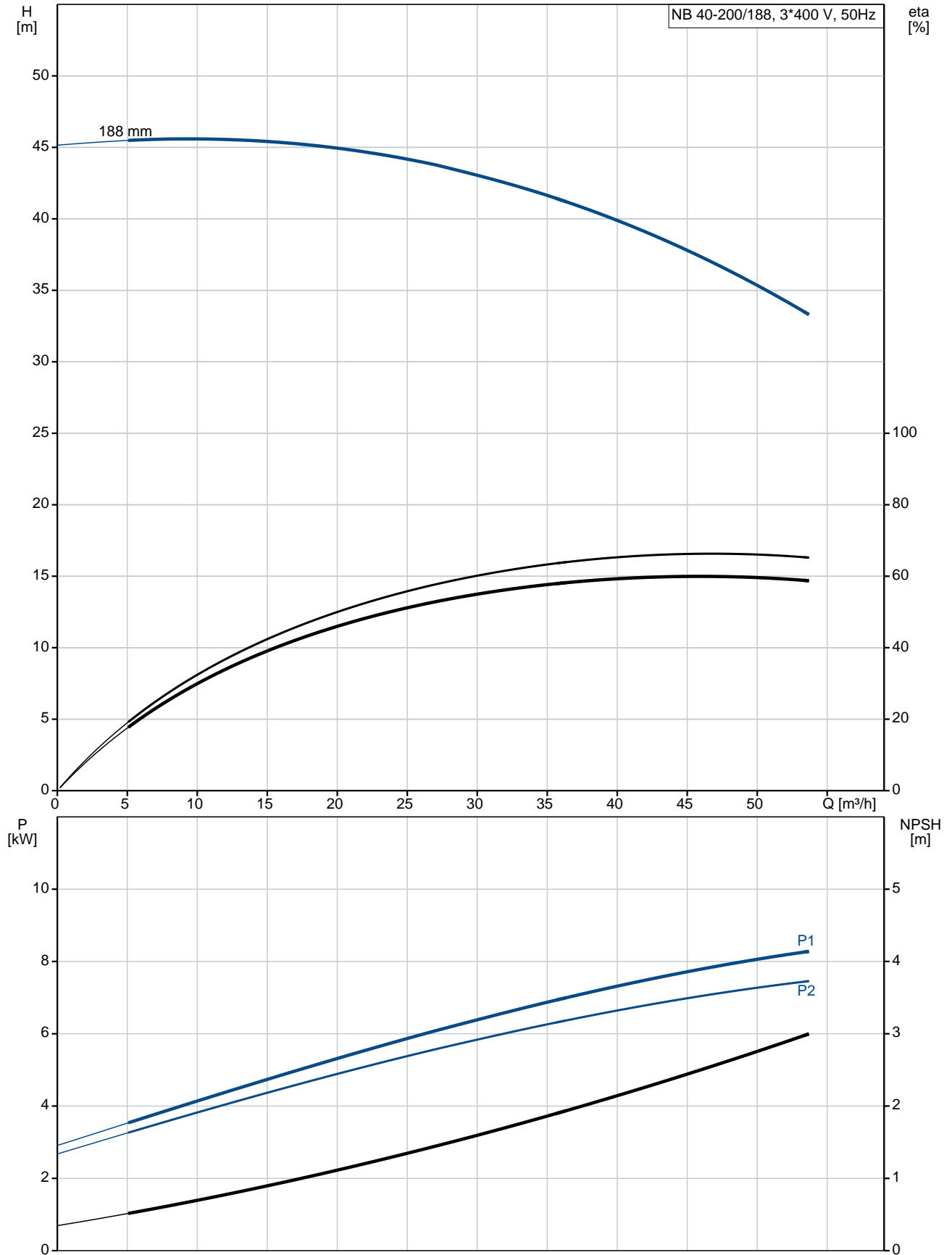


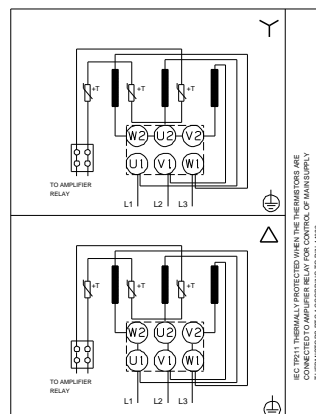
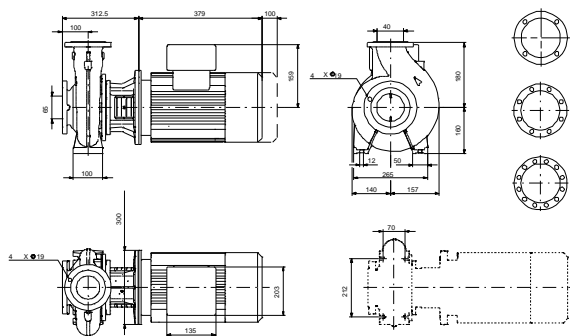
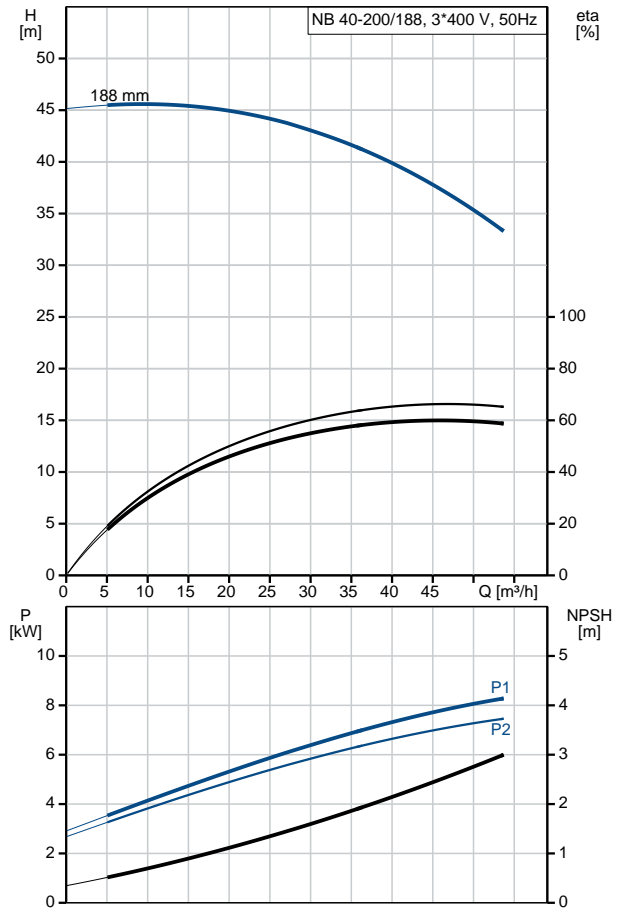
Qty.	Description
1	<p data-bbox="199 338 517 369">NB 40-200/188 AF2ABQQE</p> <div data-bbox="284 456 509 577" style="text-align: center;">  </div> <p data-bbox="199 660 469 692">Product No.: 98844306</p> <p data-bbox="199 719 1461 775">Non-self-priming, single-stage, centrifugal volute pump designed according to ISO 5199 with dimensions and rated performance according to EN 733 (10 bar).</p> <p data-bbox="199 806 1453 887">Flanges are PN 16 with dimensions according to EN 1092-2. The pump has an axial suction port, radial discharge port, horizontal shaft and a back pull-out design enabling removal of the motor, motor stool, cover and impeller without disturbing the pump housing or pipework.</p> <p data-bbox="199 896 943 927">The unbalanced rubber bellows seal is according to DIN EN 12756.</p> <p data-bbox="199 927 908 958">The pump is close-coupled to a fan-cooled asynchronous motor.</p> <p data-bbox="199 983 316 1014">Controls:</p> <p data-bbox="199 1014 639 1046">Frequency converter: NONE</p> <p data-bbox="199 1072 288 1104">Liquid:</p> <p data-bbox="199 1104 635 1135">Pumped liquid: Water</p> <p data-bbox="199 1135 707 1167">Liquid temperature range: -25 .. 120 °C</p> <p data-bbox="199 1167 687 1198">Liquid temperature during operation: 20 °C</p> <p data-bbox="199 1198 700 1229">Density: 998.2 kg/m³</p> <p data-bbox="199 1256 328 1288">Technical:</p> <p data-bbox="199 1288 673 1319">Rated flow: 48.2 m³/h</p> <p data-bbox="199 1319 659 1350">Rated head: 35.85 m</p> <p data-bbox="199 1350 659 1382">Actual impeller diameter: 188 mm</p> <p data-bbox="199 1382 659 1413">Nominal impeller diameter: 200 mm</p> <p data-bbox="199 1413 639 1444">Shaft seal arrangement: Single</p> <p data-bbox="199 1444 639 1476">Code for shaft seal: BQQE</p> <p data-bbox="199 1476 764 1507">Curve tolerance: ISO9906:2012 3B</p> <p data-bbox="199 1534 320 1565">Materials:</p> <p data-bbox="199 1565 735 1646">Pump housing: Cast iron EN-GJL-250 ASTM class 35</p> <p data-bbox="199 1646 635 1677">Wear ring: Brass</p> <p data-bbox="199 1677 735 1758">Impeller: Cast iron EN-GJL-200 ASTM class 30</p> <p data-bbox="199 1758 730 1839">Shaft: Stainless steel EN 1.4301 AISI 304</p> <p data-bbox="199 1865 344 1897">Installation:</p> <p data-bbox="199 1897 632 1928">Maximum ambient temperature: 60 °C</p> <p data-bbox="199 1928 639 1960">Maximum operating pressure: 16 bar</p> <p data-bbox="199 1960 687 1991">Pipe connection standard: EN 1092-2</p> <p data-bbox="199 1991 639 2022">Size of inlet connection: DN 65</p> <p data-bbox="199 2022 639 2054">Size of outlet connection: DN 40</p> <p data-bbox="199 2054 687 2085">Pressure rating for pipe connection: PN 16</p> <p data-bbox="199 2085 584 2116">Pump housing with feet: Y</p>

Qty.	Description
	Support block: N
	Electrical data:
	IE Efficiency class: IE3
	P2: 7.5 kW
	Mains frequency: 50 Hz
	Rated voltage: 3 x 380-415D/660-690Y V
	Rated current: 14,4-14,0/8,30-8,10 A
	Starting current: 780-910 %
	Cos phi - power factor: 0.88-0.86
	Rated speed: 2910-2920 rpm
	Efficiency: IE3 90,1% - IE3 90,4%
	Motor efficiency at full load: 90.1-90.4 %
	Motor efficiency at 3/4 load: 90.8 %
	Motor efficiency at 1/2 load: 90.8 %
	Number of poles: 2
	Enclosure class (IEC 34-5): 55 Dust/Jetting
	Insulation class (IEC 85): F
	Others:
	Minimum efficiency index, MEI $\hat{\%}$: 0.65
	Net weight: 94 kg
	Gross weight: 116 kg
	Shipping volume: 0.509 m ³
	Country of origin: HU
	Custom tariff no.: 84137051

98844306 NB 40-200/188 AF2ABQQE 50 Hz



Description	Value
General information:	
Product name:	NB 40-200/188 AF2ABQQE
Product No:	98844306
EAN number:	5712602268911
Price:	2.453,00 GBP
Technical:	
Rated flow:	48.2 m ³ /h
Rated head:	35.85 m
Actual impeller diameter:	188 mm
Nominal impeller diameter:	200 mm
Shaft seal arrangement:	Single
Shaft diameter:	24 mm
Code for shaft seal:	BQQE
Curve tolerance:	ISO9906:2012 3B
Pump version:	A
Materials:	
Pump housing:	Cast iron EN-GJL-250 ASTM class 35
Wear ring:	Brass
Impeller:	Cast iron EN-GJL-200 ASTM class 30
Shaft:	Stainless steel EN 1.4301 AISI 304
Material code:	A
Installation:	
Maximum ambient temperature:	60 °C
Maximum operating pressure:	16 bar
Pipe connection standard:	EN 1092-2
Size of inlet connection:	DN 65
Size of outlet connection:	DN 40
Pressure rating for pipe connection:	PN 16
Pump housing with feet:	Y
Support block:	N
Connect code:	F2
Liquid:	
Pumped liquid:	Water
Liquid temperature range:	-25 .. 120 °C
Liquid temperature during operation:	20 °C
Density:	998.2 kg/m ³
Electrical data:	
IE Efficiency class:	IE3
P2:	7.5 kW
Mains frequency:	50 Hz
Rated voltage:	3 x 380-415D/660-690Y V
Rated current:	14,4-14,0/8,30-8,10 A
Starting current:	780-910 %
Cos phi - power factor:	0.88-0.86
Rated speed:	2910-2920 rpm
Efficiency:	IE3 90,1% - IE3 90,4%
Motor efficiency at full load:	90.1-90.4 %
Motor efficiency at 3/4 load:	90.8 %
Motor efficiency at 1/2 load:	90.8 %
Number of poles:	2
Enclosure class (IEC 34-5):	55 Dust/Jetting
Insulation class (IEC 85):	F





Company name:

Created by:

Phone:

Date:

21/03/2019

Description	Value
Motor protec:	PTC
Motor No:	87370232
Mount. design. acc. IEC 34-7:	IM V1/B5
Controls:	
Frequency converter:	NONE
Others:	
Minimum efficiency index, MEI $\eta_{\%}$:	0.65
Net weight:	94 kg
Gross weight:	116 kg
Shipping volume:	0.509 m ³
Country of origin:	HU
Custom tariff no.:	84137051

98844306 NB 40-200/188 AF2ABQQE 50 Hz

