
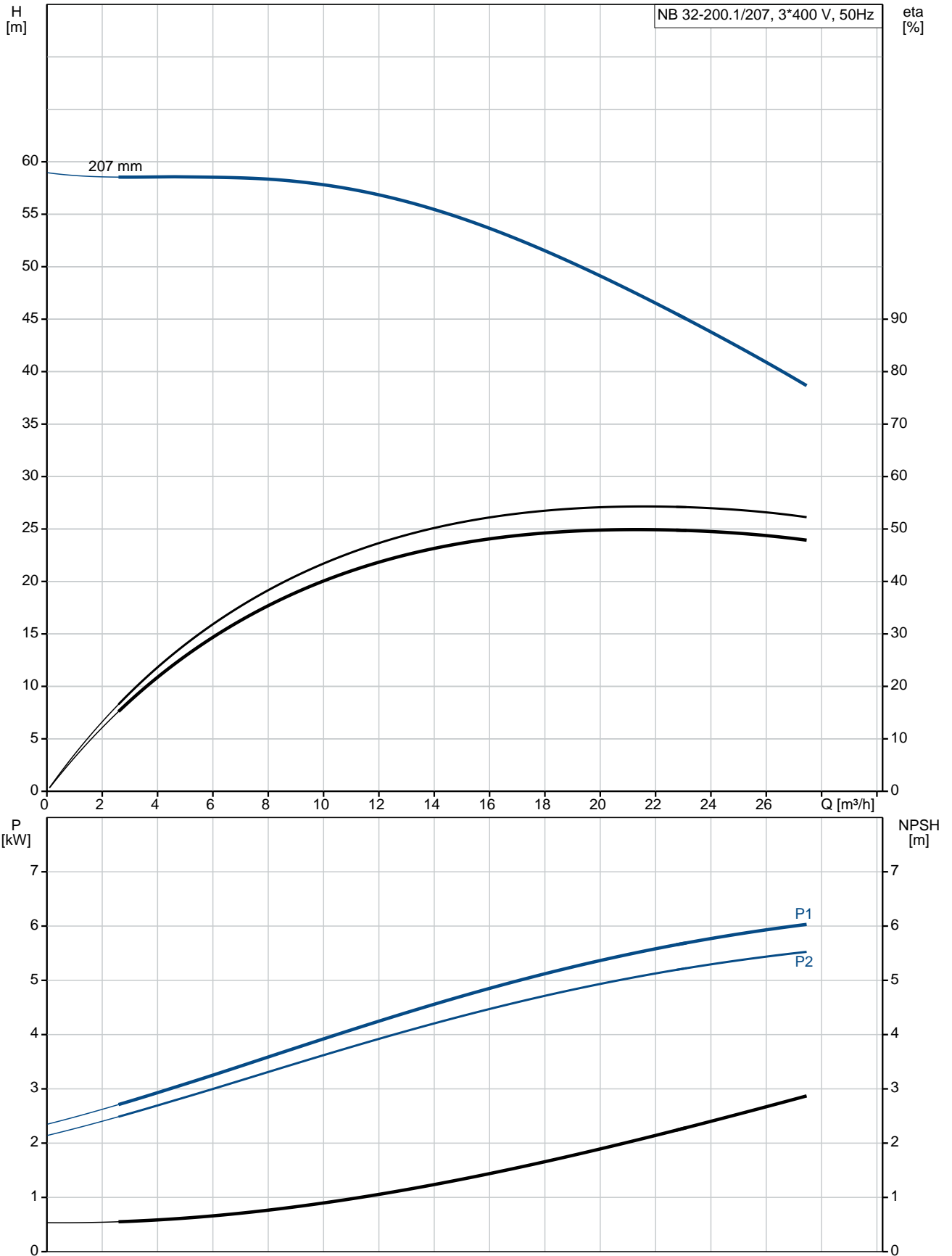


Qty.	Description
1	<p data-bbox="199 338 539 369">NB 32-200.1/207 AF2ABQQE</p> <div data-bbox="284 454 507 600" style="text-align: center;">  </div> <p data-bbox="199 660 469 692">Product No.: 98844217</p> <p data-bbox="199 719 1461 775">Non-self-priming, single-stage, centrifugal volute pump designed according to ISO 5199 with dimensions and rated performance according to EN 733 (10 bar).</p> <p data-bbox="199 806 1453 887">Flanges are PN 16 with dimensions according to EN 1092-2. The pump has an axial suction port, radial discharge port, horizontal shaft and a back pull-out design enabling removal of the motor, motor stool, cover and impeller without disturbing the pump housing or pipework.</p> <p data-bbox="199 896 943 927">The unbalanced rubber bellows seal is according to DIN EN 12756.</p> <p data-bbox="199 927 908 958">The pump is close-coupled to a fan-cooled asynchronous motor.</p> <p data-bbox="199 983 316 1014">Controls:</p> <p data-bbox="199 1014 639 1046">Frequency converter: NONE</p> <p data-bbox="199 1072 288 1104">Liquid:</p> <p data-bbox="199 1104 635 1135">Pumped liquid: Water</p> <p data-bbox="199 1135 707 1167">Liquid temperature range: -25 .. 120 °C</p> <p data-bbox="199 1167 687 1198">Liquid temperature during operation: 20 °C</p> <p data-bbox="199 1198 699 1229">Density: 998.2 kg/m³</p> <p data-bbox="199 1256 328 1288">Technical:</p> <p data-bbox="199 1288 671 1319">Rated flow: 22.7 m³/h</p> <p data-bbox="199 1319 655 1350">Rated head: 45.21 m</p> <p data-bbox="199 1350 655 1382">Actual impeller diameter: 207 mm</p> <p data-bbox="199 1382 676 1413">Nominal impeller diameter: 200.1 mm</p> <p data-bbox="199 1413 635 1444">Shaft seal arrangement: Single</p> <p data-bbox="199 1444 635 1476">Code for shaft seal: BQQE</p> <p data-bbox="199 1476 764 1507">Curve tolerance: ISO9906:2012 3B</p> <p data-bbox="199 1534 320 1565">Materials:</p> <p data-bbox="199 1565 735 1646">Pump housing: Cast iron EN-GJL-250 ASTM class 35</p> <p data-bbox="199 1646 635 1677">Wear ring: Brass</p> <p data-bbox="199 1677 735 1758">Impeller: Cast iron EN-GJL-200 ASTM class 30</p> <p data-bbox="199 1758 727 1839">Shaft: Stainless steel EN 1.4301 AISI 304</p> <p data-bbox="199 1865 344 1897">Installation:</p> <p data-bbox="199 1897 632 1928">Maximum ambient temperature: 60 °C</p> <p data-bbox="199 1928 639 1960">Maximum operating pressure: 16 bar</p> <p data-bbox="199 1960 687 1991">Pipe connection standard: EN 1092-2</p> <p data-bbox="199 1991 639 2022">Size of inlet connection: DN 50</p> <p data-bbox="199 2022 639 2054">Size of outlet connection: DN 32</p> <p data-bbox="199 2054 687 2085">Pressure rating for pipe connection: PN 16</p> <p data-bbox="199 2085 584 2116">Pump housing with feet: Y</p>

Qty.	Description
	Support block: N
	Electrical data:
	IE Efficiency class: IE3
	P2: 7.5 kW
	Mains frequency: 50 Hz
	Rated voltage: 3 x 380-415D/660-690Y V
	Rated current: 14,4-14,0/8,30-8,10 A
	Starting current: 780-910 %
	Cos phi - power factor: 0.88-0.86
	Rated speed: 2910-2920 rpm
	Efficiency: IE3 90,1% - IE3 90,4%
	Motor efficiency at full load: 90.1-90.4 %
	Motor efficiency at 3/4 load: 90.8 %
	Motor efficiency at 1/2 load: 90.8 %
	Number of poles: 2
	Enclosure class (IEC 34-5): 55 Dust/Jetting
	Insulation class (IEC 85): F
	Others:
	Minimum efficiency index, MEI $\hat{\alpha}\%$: 0.58
	Net weight: 92 kg
	Gross weight: 114 kg
	Shipping volume: 0.509 m ³
	Country of origin: HU
	Custom tariff no.: 84137051

98844217 NB 32-200.1/207 AF2ABQQE 50 Hz



Description	Value
-------------	-------

General information:

Product name: NB 32-200.1/207 AF2ABQQE

Product No: 98844217

EAN number: 5712602265774

Price: 2.384,00 GBP

Technical:

Rated flow: 22.7 m³/h

Rated head: 45.21 m

Actual impeller diameter: 207 mm

Nominal impeller diameter: 200.1 mm

Shaft seal arrangement: Single

Shaft diameter: 24 mm

Code for shaft seal: BQQE

Curve tolerance: ISO9906:2012 3B

Pump version: A

Materials:

Pump housing: Cast iron

EN-GJL-250

ASTM class 35

Wear ring: Brass

Impeller: Cast iron

EN-GJL-200

ASTM class 30

Shaft: Stainless steel

EN 1.4301

AISI 304

Material code: A

Installation:

Maximum ambient temperature: 60 °C

Maximum operating pressure: 16 bar

Pipe connection standard: EN 1092-2

Size of inlet connection: DN 50

Size of outlet connection: DN 32

Pressure rating for pipe connection: PN 16

Pump housing with feet: Y

Support block: N

Connect code: F2

Liquid:

Pumped liquid: Water

Liquid temperature range: -25 .. 120 °C

Liquid temperature during operation: 20 °C

Density: 998.2 kg/m³

Electrical data:

IE Efficiency class: IE3

P2: 7.5 kW

Mains frequency: 50 Hz

Rated voltage: 3 x 380-415D/660-690Y V

Rated current: 14,4-14,0/8,30-8,10 A

Starting current: 780-910 %

Cos phi - power factor: 0.88-0.86

Rated speed: 2910-2920 rpm

Efficiency: IE3 90,1% - IE3 90,4%

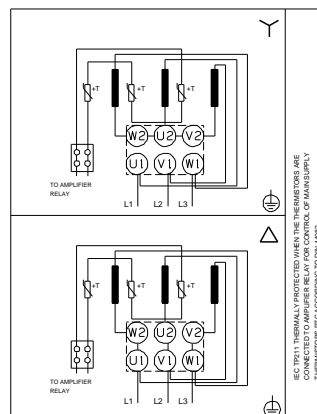
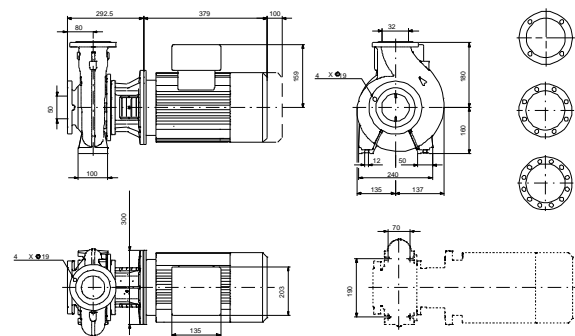
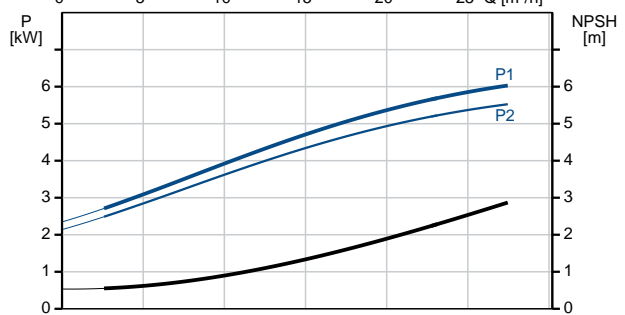
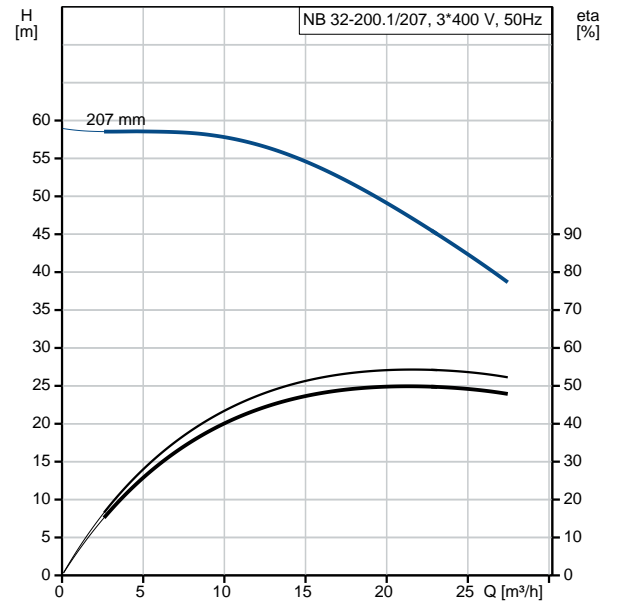
Motor efficiency at full load: 90.1-90.4 %

Motor efficiency at 3/4 load: 90.8 %

Motor efficiency at 1/2 load: 90.8 %

Number of poles: 2

Enclosure class (IEC 34-5): 55 Dust/Jetting





Company name:

Created by:

Phone:

Date:

21/03/2019

Description	Value
Insulation class (IEC 85):	F
Motor protec:	PTC
Motor No:	87370232
Mount. design. acc. IEC 34-7:	IM V1/B5
Controls:	
Frequency converter:	NONE
Others:	
Minimum efficiency index, MEI $\eta_{\%}$:	0.58
Net weight:	92 kg
Gross weight:	114 kg
Shipping volume:	0.509 m ³
Country of origin:	HU
Custom tariff no.:	84137051

98844217 NB 32-200.1/207 AF2ABQQE 50 Hz

