
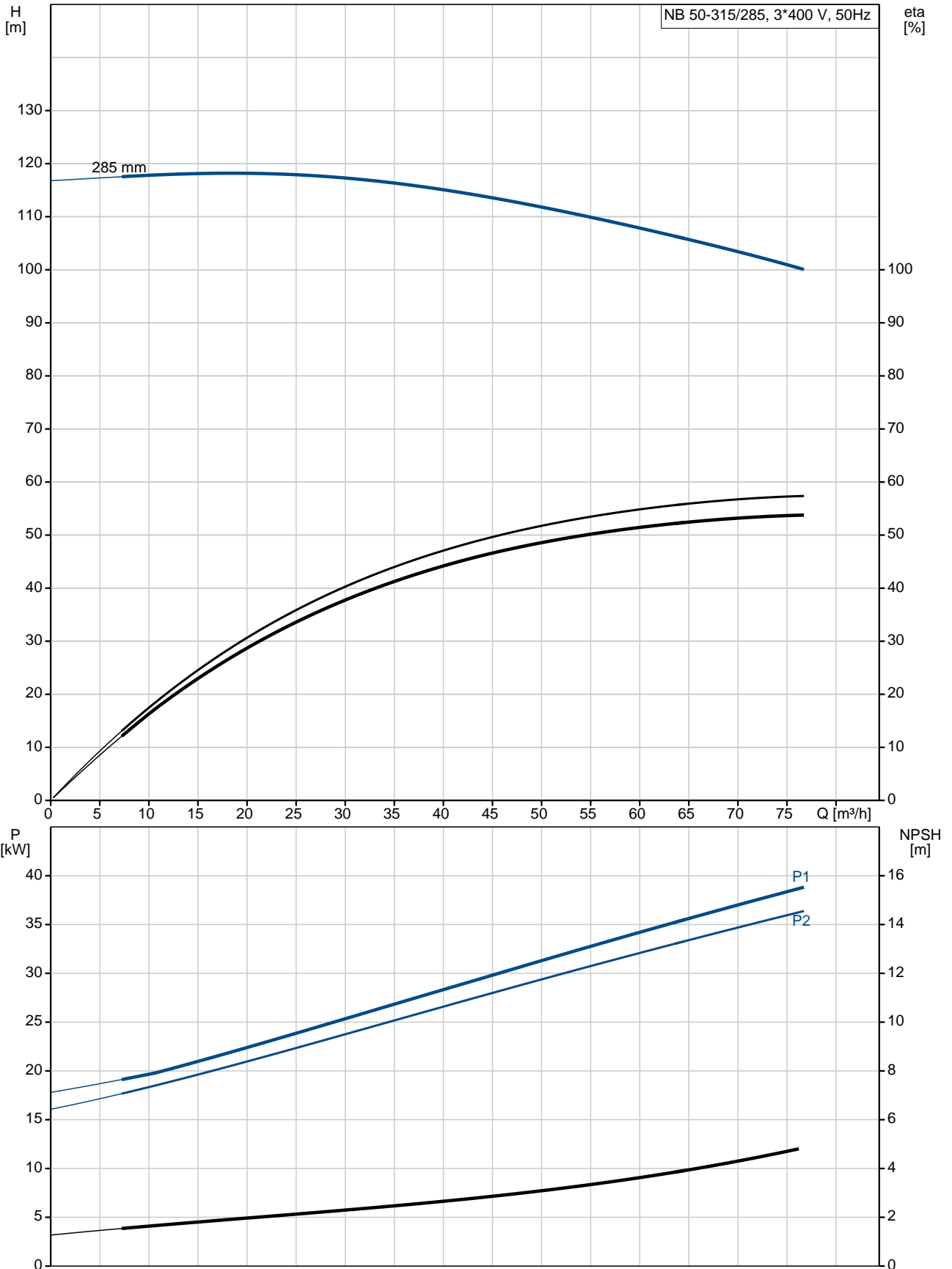


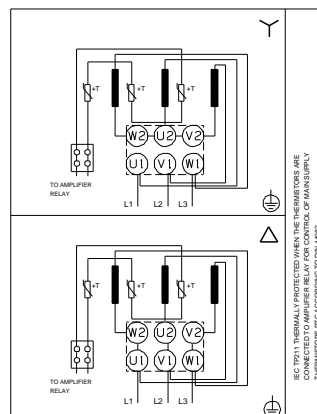
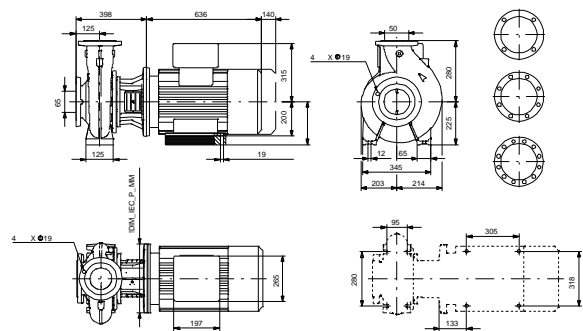
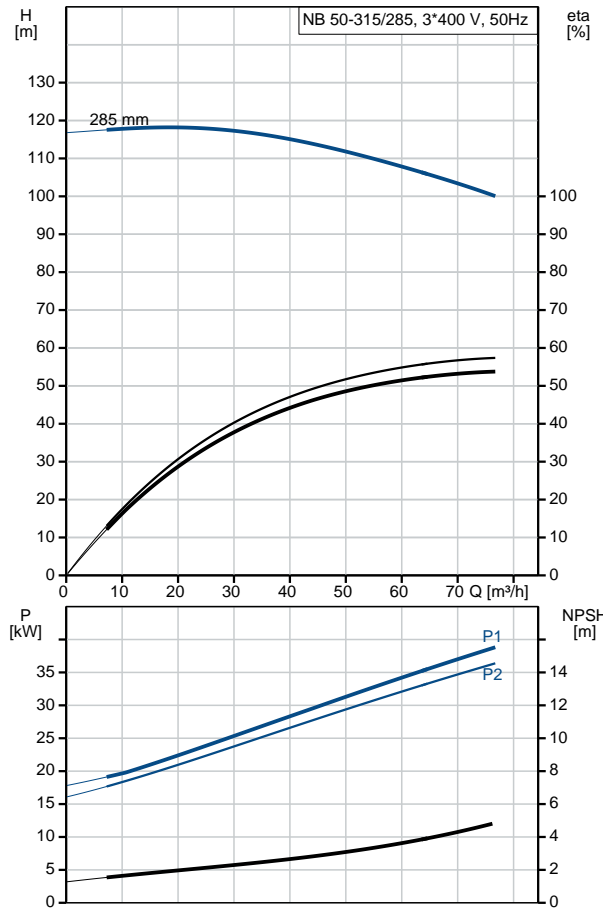
Qty.	Description
1	<p data-bbox="199 340 534 362"><b>NB 50-315/285 ASF2ABQQE</b></p> <div data-bbox="215 403 566 638">  </div> <p data-bbox="590 631 1077 654" style="text-align: center;"><b>Note! Product picture may differ from actual product</b></p> <p data-bbox="199 663 470 685">Product No.: <a href="#">98801946</a></p> <p data-bbox="199 719 1460 775">Non-self-priming, single-stage, centrifugal volute pump designed according to ISO 5199 with dimensions and rated performance according to EN 733 (10 bar).</p> <p data-bbox="199 808 1460 887">Flanges are PN 16 with dimensions according to EN 1092-2. The pump has an axial suction port, radial discharge port, horizontal shaft and a back pull-out design enabling removal of the motor, motor stool, cover and impeller without disturbing the pump housing or pipework.</p> <p data-bbox="199 898 941 920">The unbalanced rubber bellows seal is according to DIN EN 12756.</p> <p data-bbox="199 925 909 947">The pump is close-coupled to a fan-cooled asynchronous motor.</p> <p data-bbox="199 981 311 1003"><b>Controls:</b></p> <p data-bbox="199 1010 638 1032">Frequency converter: NONE</p> <p data-bbox="199 1070 287 1093"><b>Liquid:</b></p> <p data-bbox="199 1099 638 1122">Pumped liquid: Water</p> <p data-bbox="199 1128 710 1151">Liquid temperature range: -25 .. 120 °C</p> <p data-bbox="199 1158 686 1180">Liquid temperature during operation: 20 °C</p> <p data-bbox="199 1187 702 1209">Density: 998.2 kg/m<sup>3</sup></p> <p data-bbox="199 1247 327 1270"><b>Technical:</b></p> <p data-bbox="199 1276 678 1299">Rated flow: 76.7 m<sup>3</sup>/h</p> <p data-bbox="199 1305 662 1328">Rated head: 99.99 m</p> <p data-bbox="199 1335 662 1357">Actual impeller diameter: 285 mm</p> <p data-bbox="199 1364 662 1386">Nominal impeller diameter: 315 mm</p> <p data-bbox="199 1393 638 1415">Shaft seal arrangement: Single</p> <p data-bbox="199 1422 638 1444">Code for shaft seal: BQQE</p> <p data-bbox="199 1451 766 1473">Curve tolerance: ISO9906:2012 3B</p> <p data-bbox="199 1512 319 1534"><b>Materials:</b></p> <p data-bbox="199 1541 734 1630">Pump housing: Cast iron EN-GJL-250 ASTM class 35</p> <p data-bbox="199 1637 638 1659">Wear ring: Brass</p> <p data-bbox="199 1666 734 1756">Impeller: Cast iron EN-GJL-200 ASTM class 30</p> <p data-bbox="199 1762 734 1852">Shaft: Stainless steel EN 1.4301 AISI 304</p> <p data-bbox="199 1868 343 1890"><b>Installation:</b></p> <p data-bbox="199 1897 630 1919">Maximum ambient temperature: 55 °C</p> <p data-bbox="199 1926 638 1948">Maximum operating pressure: 16 bar</p> <p data-bbox="199 1955 686 1977">Pipe connection standard: EN 1092-2</p> <p data-bbox="199 1984 638 2007">Size of inlet connection: DN 65</p> <p data-bbox="199 2013 638 2036">Size of outlet connection: DN 50</p> <p data-bbox="199 2042 686 2065">Pressure rating for pipe connection: PN 16</p> <p data-bbox="199 2072 582 2094">Pump housing with feet: Y</p>

Qty.	Description
	Support block: Y
	<b>Electrical data:</b>
	IE Efficiency class: IE3
	P2: 37 kW
	Mains frequency: 50 Hz
	Rated voltage: 3 x 380-420D/660-725Y V
	Rated current: 68,0-63,0/39,0-36,0 A
	Starting current: 670-670 %
	Cos phi - power factor: 0.87
	Rated speed: 2955 rpm
	Efficiency: IE3 93,7%
	Motor efficiency at full load: 93.7-93.7 %
	Motor efficiency at 3/4 load: 93.9-93.9 %
	Motor efficiency at 1/2 load: 93.5-93.5 %
	Number of poles: 2
	Enclosure class (IEC 34-5): 55 Dust/Jetting
	Insulation class (IEC 85): F
	<b>Others:</b>
	Minimum efficiency index, MEI $\hat{\%}$ : 0.56
	Net weight: 385 kg
	Gross weight: 410 kg
	Shipping volume: 0.707 m <sup>3</sup>
	Country of origin: HU
	Custom tariff no.: 84137051

## 98801946 NB 50-315/285 ASF2ABQQE 50 Hz



Description	Value
<b>General information:</b>	
Product name:	NB 50-315/285 ASF2ABQQE
Product No:	98801946
EAN number:	5712601547031
Price:	7.092,00 GBP
<b>Technical:</b>	
Rated flow:	76.7 m <sup>3</sup> /h
Rated head:	99.99 m
Actual impeller diameter:	285 mm
Nominal impeller diameter:	315 mm
Shaft seal arrangement:	Single
Shaft diameter:	32 mm
Code for shaft seal:	BQQE
Curve tolerance:	ISO9906:2012 3B
Pump version:	AS
<b>Materials:</b>	
Pump housing:	Cast iron
	EN-GJL-250
	ASTM class 35
Wear ring:	Brass
Impeller:	Cast iron
	EN-GJL-200
	ASTM class 30
Shaft:	Stainless steel
	EN 1.4301
	AISI 304
Material code:	A
<b>Installation:</b>	
Maximum ambient temperature:	55 °C
Maximum operating pressure:	16 bar
Pipe connection standard:	EN 1092-2
Size of inlet connection:	DN 65
Size of outlet connection:	DN 50
Pressure rating for pipe connection:	PN 16
Pump housing with feet:	Y
Support block:	Y
Connect code:	F2
<b>Liquid:</b>	
Pumped liquid:	Water
Liquid temperature range:	-25 .. 120 °C
Liquid temperature during operation:	20 °C
Density:	998.2 kg/m <sup>3</sup>
<b>Electrical data:</b>	
IE Efficiency class:	IE3
P2:	37 kW
Mains frequency:	50 Hz
Rated voltage:	3 x 380-420D/660-725Y V
Rated current:	68,0-63,0/39,0-36,0 A
Starting current:	670-670 %
Cos phi - power factor:	0.87
Rated speed:	2955 rpm
Efficiency:	IE3 93,7%
Motor efficiency at full load:	93.7-93.7 %
Motor efficiency at 3/4 load:	93.9-93.9 %
Motor efficiency at 1/2 load:	93.5-93.5 %
Number of poles:	2
Enclosure class (IEC 34-5):	55 Dust/Jetting





Company name:

Created by:

Phone:

Date:

21/03/2019

Description	Value
Insulation class (IEC 85):	F
Motor protec:	PTC
Motor No:	99032147
Mount. design. acc. IEC 34-7:	IM B35
<b>Controls:</b>	
Frequency converter:	NONE
<b>Others:</b>	
Minimum efficiency index, MEI $\eta_{\%}$ :	0.56
Net weight:	385 kg
Gross weight:	410 kg
Shipping volume:	0.707 m <sup>3</sup>
Country of origin:	HU
Custom tariff no.:	84137051