
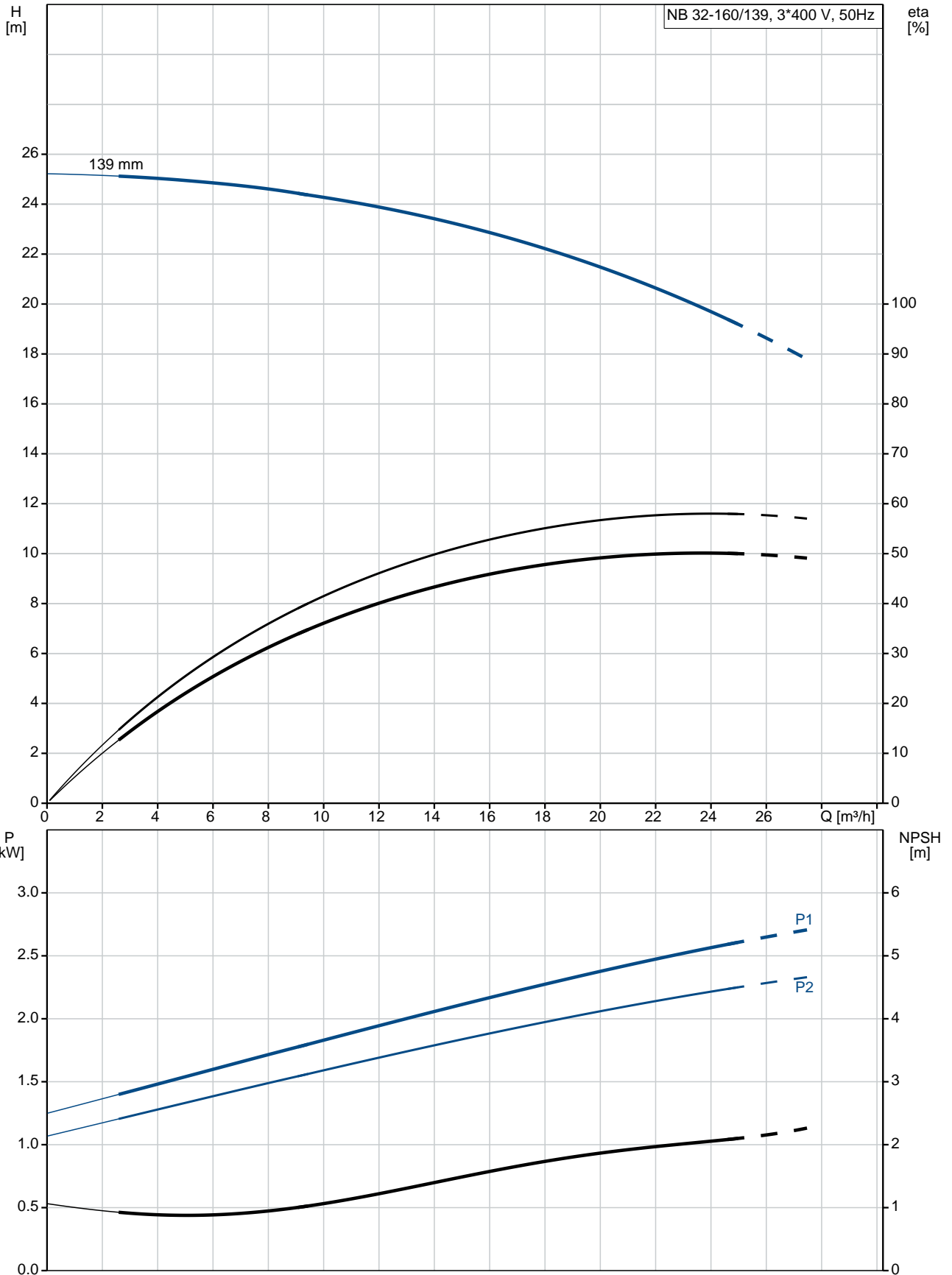


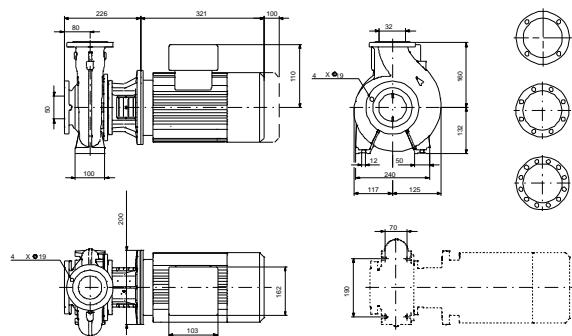
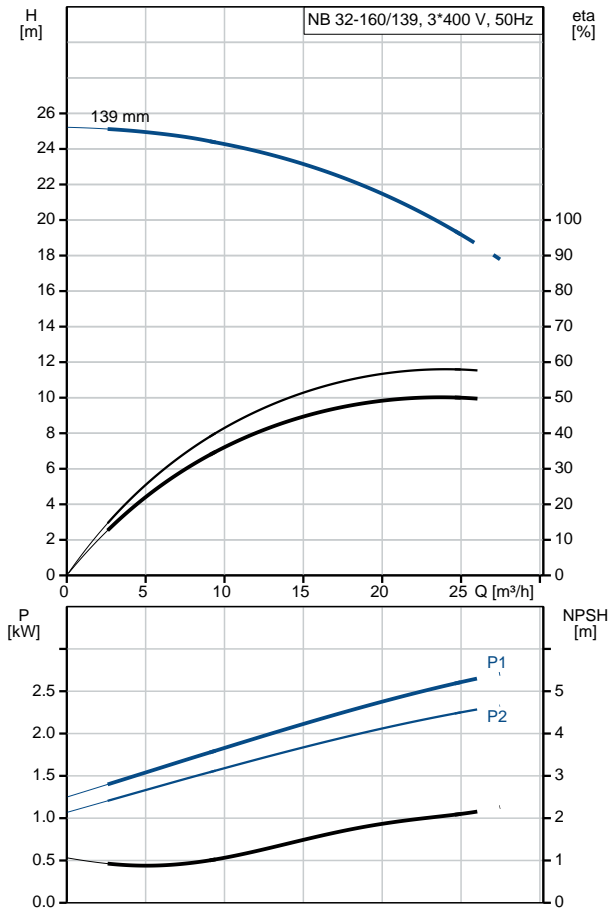
Qty.	Description
1	<p data-bbox="199 338 518 369">NB 32-160/139 AF2ABQQE</p> <div data-bbox="292 454 507 602" style="text-align: center;">  </div> <p data-bbox="199 660 470 689">Product No.: 98664484</p> <p data-bbox="199 719 1460 772">Non-self-priming, single-stage, centrifugal volute pump designed according to ISO 5199 with dimensions and rated performance according to EN 733 (10 bar).</p> <p data-bbox="199 806 1452 884">Flanges are PN 16 with dimensions according to EN 1092-2. The pump has an axial suction port, radial discharge port, horizontal shaft and a back pull-out design enabling removal of the motor, motor stool, cover and impeller without disturbing the pump housing or pipework.</p> <p data-bbox="199 896 941 925">The unbalanced rubber bellows seal is according to DIN EN 12756.</p> <p data-bbox="199 925 909 954">The pump is close-coupled to a fan-cooled asynchronous motor.</p> <p data-bbox="199 983 311 1012">Controls:</p> <p data-bbox="199 1012 638 1041">Frequency converter: NONE</p> <p data-bbox="199 1070 287 1099">Liquid:</p> <p data-bbox="199 1099 638 1128">Pumped liquid: Water</p> <p data-bbox="199 1128 710 1158">Liquid temperature range: -25 .. 120 °C</p> <p data-bbox="199 1158 686 1187">Liquid temperature during operation: 20 °C</p> <p data-bbox="199 1187 702 1216">Density: 998.2 kg/m³</p> <p data-bbox="199 1245 327 1274">Technical:</p> <p data-bbox="199 1274 654 1303">Rated flow: 23 m³/h</p> <p data-bbox="199 1303 654 1332">Rated head: 19.76 m</p> <p data-bbox="199 1332 654 1361">Actual impeller diameter: 139 mm</p> <p data-bbox="199 1361 654 1391">Nominal impeller diameter: 160 mm</p> <p data-bbox="199 1391 638 1420">Shaft seal arrangement: Single</p> <p data-bbox="199 1420 638 1449">Code for shaft seal: BQQE</p> <p data-bbox="199 1449 766 1478">Curve tolerance: ISO9906:2012 3B</p> <p data-bbox="199 1507 319 1536">Materials:</p> <p data-bbox="199 1536 734 1630">Pump housing: Cast iron EN-GJL-250 ASTM class 35</p> <p data-bbox="199 1630 638 1659">Wear ring: Brass</p> <p data-bbox="199 1659 734 1753">Impeller: Cast iron EN-GJL-200 ASTM class 30</p> <p data-bbox="199 1753 734 1848">Shaft: Stainless steel EN 1.4301 AISI 304</p> <p data-bbox="199 1877 343 1906">Installation:</p> <p data-bbox="199 1906 630 1935">Maximum ambient temperature: 60 °C</p> <p data-bbox="199 1935 638 1964">Maximum operating pressure: 16 bar</p> <p data-bbox="199 1964 686 1993">Pipe connection standard: EN 1092-2</p> <p data-bbox="199 1993 638 2022">Size of inlet connection: DN 50</p> <p data-bbox="199 2022 638 2051">Size of outlet connection: DN 32</p> <p data-bbox="199 2051 686 2080">Pressure rating for pipe connection: PN 16</p> <p data-bbox="199 2080 582 2110">Pump housing with feet: Y</p>

Qty.	Description
	Support block: N
	Electrical data:
	IE Efficiency class: IE3
	P2: 2.2 kW
	Mains frequency: 50 Hz
	Rated voltage: 3 x 220-240D/380-415Y V
	Rated current: 7.70/4.45 A
	Starting current: 850-950 %
	Cos phi - power factor: 0.89-0.87
	Rated speed: 2890-2910 rpm
	Efficiency: IE3 85,9%
	Motor efficiency at full load: 85.9 %
	Motor efficiency at 3/4 load: 86.8 %
	Motor efficiency at 1/2 load: 86.0 %
	Number of poles: 2
	Enclosure class (IEC 34-5): 55 Dust/Jetting
	Insulation class (IEC 85): F
	Others:
	Minimum efficiency index, MEI $\hat{\%}$: 0.59
	Net weight: 46 kg
	Gross weight: 56 kg
	Shipping volume: 0.178 m ³
	Country of origin: HU
	Custom tariff no.: 84137051

98664484 NB 32-160/139 AF2ABQQE 50 Hz



Description	Value
General information:	
Product name:	NB 32-160/139 AF2ABQQE
Product No:	98664484
EAN number:	5711499185370
Price:	1.376,00 GBP
Technical:	
Rated flow:	23 m ³ /h
Rated head:	19.76 m
Actual impeller diameter:	139 mm
Nominal impeller diameter:	160 mm
Shaft seal arrangement:	Single
Shaft diameter:	24 mm
Code for shaft seal:	BQQE
Curve tolerance:	ISO9906:2012 3B
Pump version:	A
Materials:	
Pump housing:	Cast iron EN-GJL-250 ASTM class 35
Wear ring:	Brass
Impeller:	Cast iron EN-GJL-200 ASTM class 30
Shaft:	Stainless steel EN 1.4301 AISI 304
Material code:	A
Installation:	
Maximum ambient temperature:	60 °C
Maximum operating pressure:	16 bar
Pipe connection standard:	EN 1092-2
Size of inlet connection:	DN 50
Size of outlet connection:	DN 32
Pressure rating for pipe connection:	PN 16
Pump housing with feet:	Y
Support block:	N
Connect code:	F2
Liquid:	
Pumped liquid:	Water
Liquid temperature range:	-25 .. 120 °C
Liquid temperature during operation:	20 °C
Density:	998.2 kg/m ³
Electrical data:	
IE Efficiency class:	IE3
P2:	2.2 kW
Mains frequency:	50 Hz
Rated voltage:	3 x 220-240D/380-415Y V
Rated current:	7.70/4.45 A
Starting current:	850-950 %
Cos phi - power factor:	0.89-0.87
Rated speed:	2890-2910 rpm
Efficiency:	IE3 85,9%
Motor efficiency at full load:	85.9 %
Motor efficiency at 3/4 load:	86.8 %
Motor efficiency at 1/2 load:	86.0 %
Number of poles:	2
Enclosure class (IEC 34-5):	55 Dust/Jetting
Insulation class (IEC 85):	F





Company name:

Created by:

Phone:

Date:

21/03/2019

Description	Value
Motor protec:	NONE
Motor No:	87220292
Mount. design. acc. IEC 34-7:	IM V1/B5
Controls:	
Frequency converter:	NONE
Others:	
Minimum efficiency index, MEI %:	0.59
Net weight:	46 kg
Gross weight:	56 kg
Shipping volume:	0.178 m ³
Country of origin:	HU
Custom tariff no.:	84137051

98664484 NB 32-160/139 AF2ABQQE 50 Hz

