
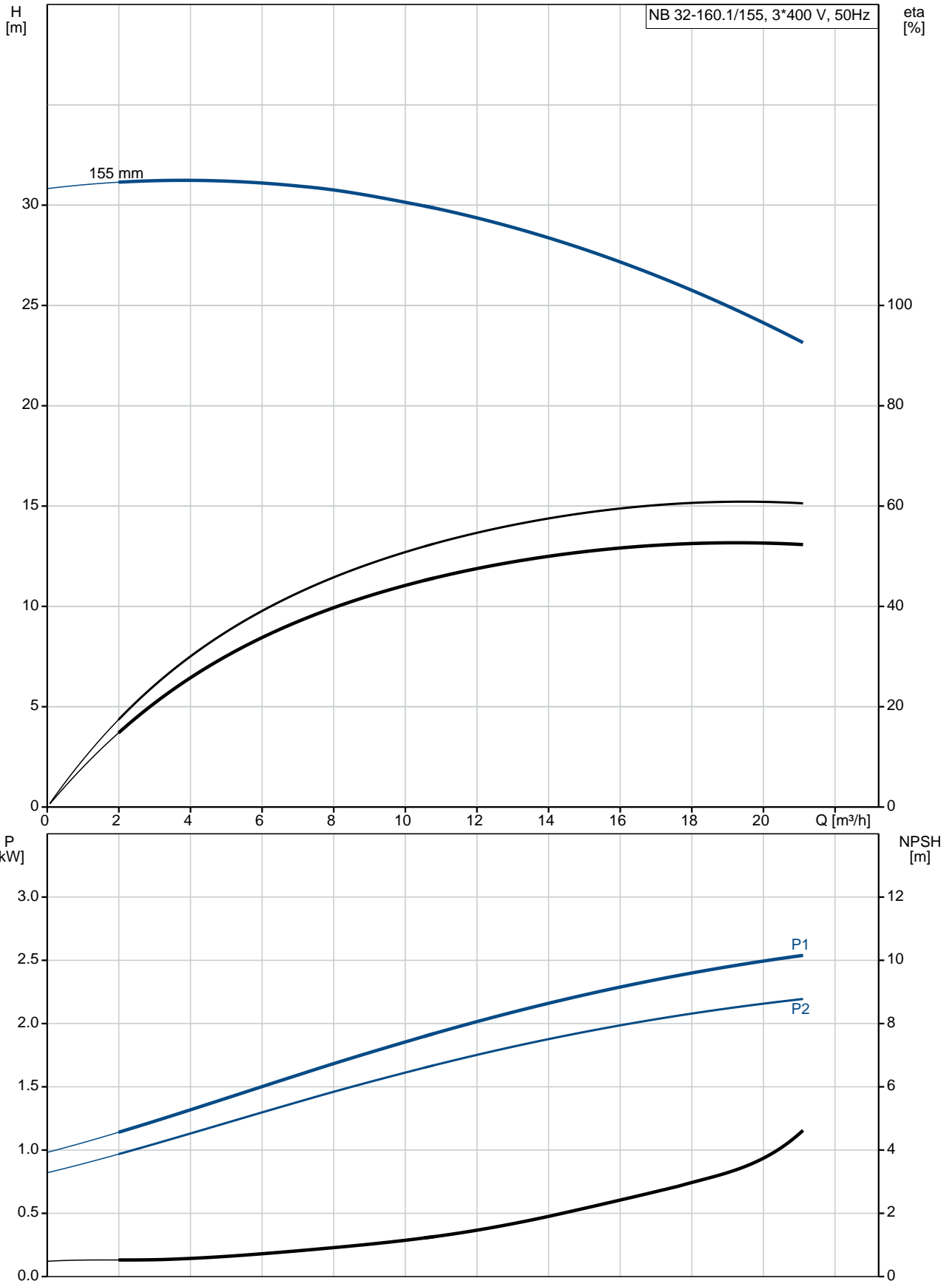


Qty.	Description
1	<p data-bbox="197 338 539 369">NB 32-160.1/155 AF2ABQQE</p> <div data-bbox="293 450 507 600" style="text-align: center;">  </div> <p data-bbox="197 660 469 692">Product No.: 98654499</p> <p data-bbox="197 719 1460 772">Non-self-priming, single-stage, centrifugal volute pump designed according to ISO 5199 with dimensions and rated performance according to EN 733 (10 bar).</p> <p data-bbox="197 806 1452 884">Flanges are PN 16 with dimensions according to EN 1092-2. The pump has an axial suction port, radial discharge port, horizontal shaft and a back pull-out design enabling removal of the motor, motor stool, cover and impeller without disturbing the pump housing or pipework.</p> <p data-bbox="197 896 941 927">The unbalanced rubber bellows seal is according to DIN EN 12756.</p> <p data-bbox="197 927 906 958">The pump is close-coupled to a fan-cooled asynchronous motor.</p> <p data-bbox="197 981 316 1012">Controls:</p> <p data-bbox="197 1012 638 1043">Frequency converter: NONE</p> <p data-bbox="197 1070 288 1102">Liquid:</p> <p data-bbox="197 1102 635 1133">Pumped liquid: Water</p> <p data-bbox="197 1133 705 1164">Liquid temperature range: -25 .. 120 °C</p> <p data-bbox="197 1164 686 1196">Liquid temperature during operation: 20 °C</p> <p data-bbox="197 1196 699 1227">Density: 998.2 kg/m³</p> <p data-bbox="197 1249 328 1281">Technical:</p> <p data-bbox="197 1281 673 1312">Rated flow: 19.1 m³/h</p> <p data-bbox="197 1312 657 1344">Rated head: 24.23 m</p> <p data-bbox="197 1344 657 1375">Actual impeller diameter: 155 mm</p> <p data-bbox="197 1375 679 1406">Nominal impeller diameter: 160.1 mm</p> <p data-bbox="197 1406 635 1438">Shaft seal arrangement: Single</p> <p data-bbox="197 1438 635 1469">Code for shaft seal: BQQE</p> <p data-bbox="197 1469 762 1500">Curve tolerance: ISO9906:2012 3B</p> <p data-bbox="197 1523 322 1554">Materials:</p> <p data-bbox="197 1554 734 1635">Pump housing: Cast iron EN-GJL-250 ASTM class 35</p> <p data-bbox="197 1635 635 1666">Wear ring: Brass</p> <p data-bbox="197 1666 734 1747">Impeller: Cast iron EN-GJL-200 ASTM class 30</p> <p data-bbox="197 1747 727 1850">Shaft: Stainless steel EN 1.4301 AISI 304</p> <p data-bbox="197 1872 344 1904">Installation:</p> <p data-bbox="197 1904 632 1935">Maximum ambient temperature: 60 °C</p> <p data-bbox="197 1935 638 1966">Maximum operating pressure: 16 bar</p> <p data-bbox="197 1966 686 1998">Pipe connection standard: EN 1092-2</p> <p data-bbox="197 1998 638 2029">Size of inlet connection: DN 50</p> <p data-bbox="197 2029 638 2060">Size of outlet connection: DN 32</p> <p data-bbox="197 2060 686 2092">Pressure rating for pipe connection: PN 16</p> <p data-bbox="197 2092 584 2123">Pump housing with feet: Y</p>

Qty.	Description
	Support block: N
	Electrical data:
	IE Efficiency class: IE3
	P2: 2.2 kW
	Mains frequency: 50 Hz
	Rated voltage: 3 x 220-240D/380-415Y V
	Rated current: 7.70/4.45 A
	Starting current: 850-950 %
	Cos phi - power factor: 0.89-0.87
	Rated speed: 2890-2910 rpm
	Efficiency: IE3 85,9%
	Motor efficiency at full load: 85.9 %
	Motor efficiency at 3/4 load: 86.8 %
	Motor efficiency at 1/2 load: 86.0 %
	Number of poles: 2
	Enclosure class (IEC 34-5): 55 Dust/Jetting
	Insulation class (IEC 85): F
	Others:
	Minimum efficiency index, MEI $\hat{\%}$: 0.70
	Net weight: 46 kg
	Gross weight: 56 kg
	Shipping volume: 0.178 m ³
	Country of origin: HU
	Custom tariff no.: 84137051

98654499 NB 32-160.1/155 AF2ABQQE 50 Hz



Description	Value
-------------	-------

General information:

Product name: NB 32-160.1/155 AF2ABQQE

Product No: 98654499

EAN number: 5711498992108

Price: 1.357,00 GBP

Technical:

Rated flow: 19.1 m³/h

Rated head: 24.23 m

Actual impeller diameter: 155 mm

Nominal impeller diameter: 160.1 mm

Shaft seal arrangement: Single

Shaft diameter: 24 mm

Code for shaft seal: BQQE

Curve tolerance: ISO9906:2012 3B

Pump version: A

Materials:

Pump housing: Cast iron

EN-GJL-250

ASTM class 35

Wear ring: Brass

Impeller: Cast iron

EN-GJL-200

ASTM class 30

Shaft: Stainless steel

EN 1.4301

AISI 304

Material code: A

Installation:

Maximum ambient temperature: 60 °C

Maximum operating pressure: 16 bar

Pipe connection standard: EN 1092-2

Size of inlet connection: DN 50

Size of outlet connection: DN 32

Pressure rating for pipe connection: PN 16

Pump housing with feet: Y

Support block: N

Connect code: F2

Liquid:

Pumped liquid: Water

Liquid temperature range: -25 .. 120 °C

Liquid temperature during operation: 20 °C

Density: 998.2 kg/m³

Electrical data:

IE Efficiency class: IE3

P2: 2.2 kW

Mains frequency: 50 Hz

Rated voltage: 3 x 220-240D/380-415Y V

Rated current: 7.70/4.45 A

Starting current: 850-950 %

Cos phi - power factor: 0.89-0.87

Rated speed: 2890-2910 rpm

Efficiency: IE3 85,9%

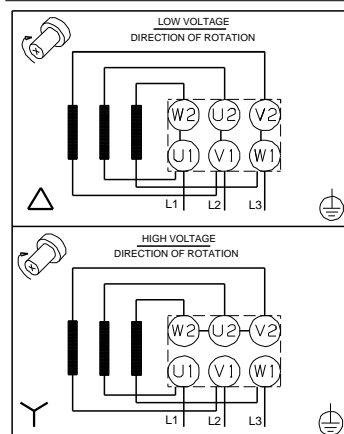
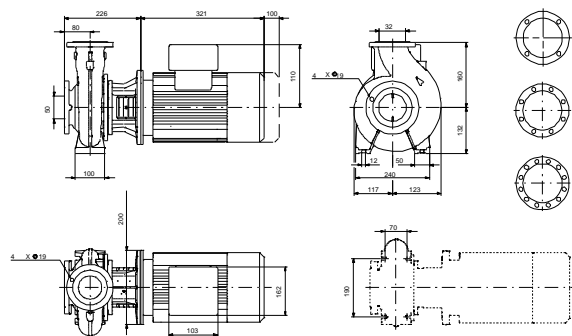
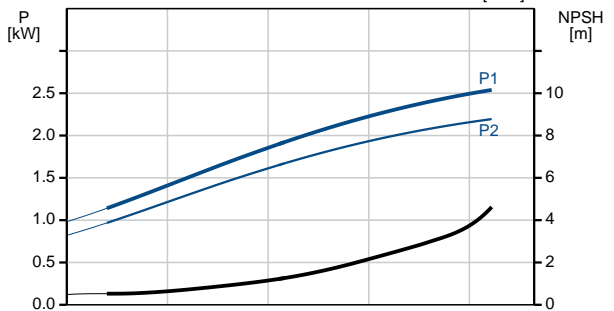
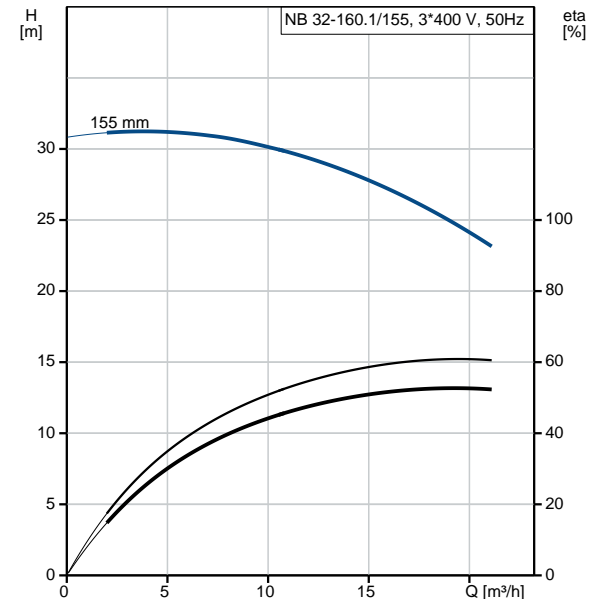
Motor efficiency at full load: 85.9 %

Motor efficiency at 3/4 load: 86.8 %

Motor efficiency at 1/2 load: 86.0 %

Number of poles: 2

Enclosure class (IEC 34-5): 55 Dust/Jetting





Company name:

Created by:

Phone:

Date:

21/03/2019

Description	Value
Insulation class (IEC 85):	F
Motor protec:	NONE
Motor No:	87220292
Mount. design. acc. IEC 34-7:	IM V1/B5
Controls:	
Frequency converter:	NONE
Others:	
Minimum efficiency index, MEI $\eta_{\%}$:	0.70
Net weight:	46 kg
Gross weight:	56 kg
Shipping volume:	0.178 m ³
Country of origin:	HU
Custom tariff no.:	84137051

98654499 NB 32-160.1/155 AF2ABQQE 50 Hz

