
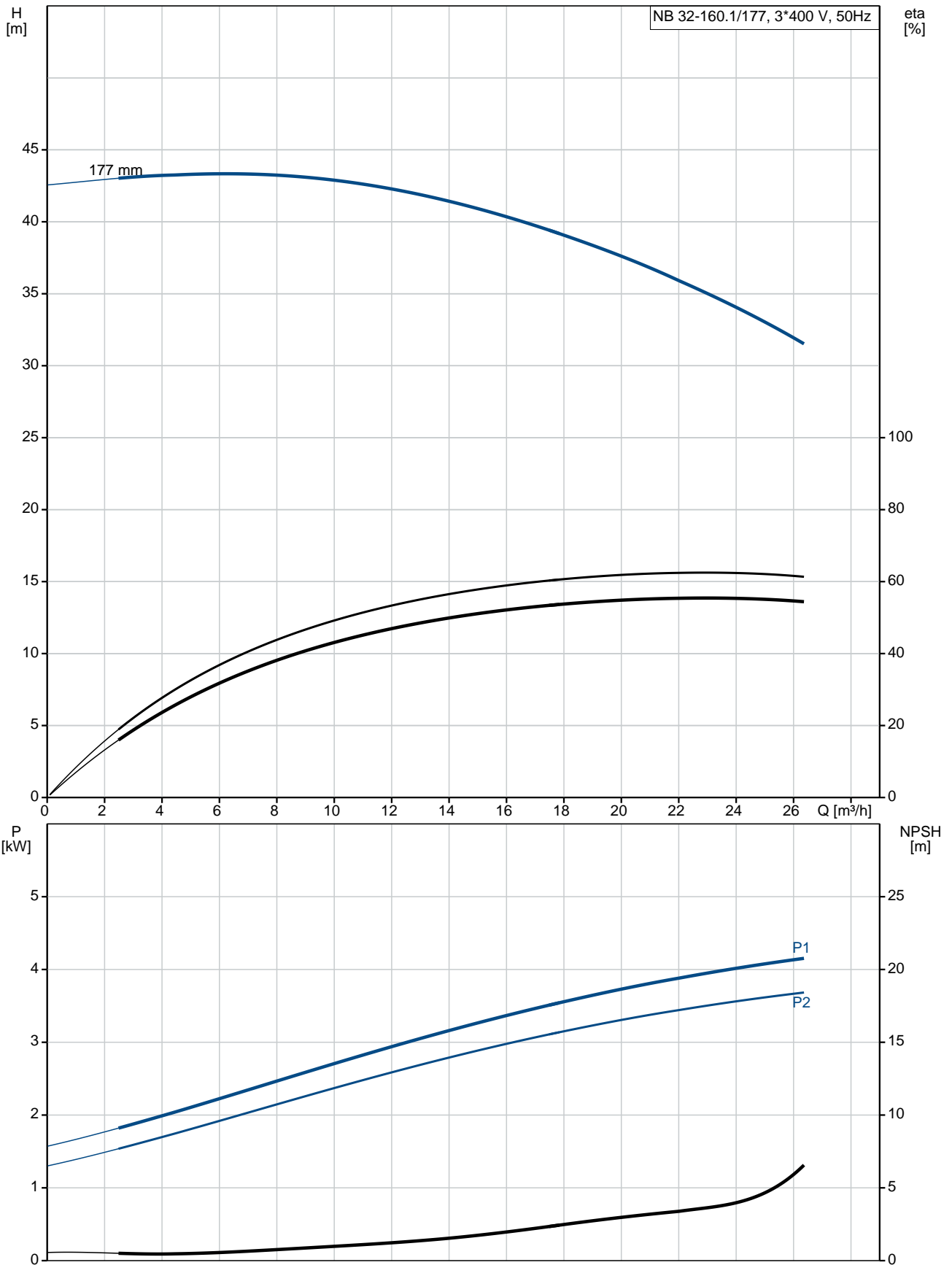


Qty.	Description
1	<p data-bbox="197 338 539 369"><b>NB 32-160.1/177 AF2ABQQE</b></p> <div data-bbox="288 459 512 595" style="text-align: center;">  </div> <p data-bbox="197 660 469 692">Product No.: <a href="#">98630634</a></p> <p data-bbox="197 719 1461 772">Non-self-priming, single-stage, centrifugal volute pump designed according to ISO 5199 with dimensions and rated performance according to EN 733 (10 bar).</p> <p data-bbox="197 806 1452 884">Flanges are PN 16 with dimensions according to EN 1092-2. The pump has an axial suction port, radial discharge port, horizontal shaft and a back pull-out design enabling removal of the motor, motor stool, cover and impeller without disturbing the pump housing or pipework.</p> <p data-bbox="197 896 943 927">The unbalanced rubber bellows seal is according to DIN EN 12756.</p> <p data-bbox="197 927 908 958">The pump is close-coupled to a fan-cooled asynchronous motor.</p> <p data-bbox="197 981 316 1012"><b>Controls:</b></p> <p data-bbox="197 1012 639 1043">Frequency converter: NONE</p> <p data-bbox="197 1070 288 1102"><b>Liquid:</b></p> <p data-bbox="197 1102 635 1133">Pumped liquid: Water</p> <p data-bbox="197 1133 707 1164">Liquid temperature range: -25 .. 120 °C</p> <p data-bbox="197 1164 687 1196">Liquid temperature during operation: 20 °C</p> <p data-bbox="197 1196 700 1227">Density: 998.2 kg/m<sup>3</sup></p> <p data-bbox="197 1249 328 1281"><b>Technical:</b></p> <p data-bbox="197 1281 673 1312">Rated flow: 22.7 m<sup>3</sup>/h</p> <p data-bbox="197 1312 657 1344">Rated head: 34.57 m</p> <p data-bbox="197 1344 657 1375">Actual impeller diameter: 177 mm</p> <p data-bbox="197 1375 679 1406">Nominal impeller diameter: 160.1 mm</p> <p data-bbox="197 1406 636 1438">Shaft seal arrangement: Single</p> <p data-bbox="197 1438 639 1469">Code for shaft seal: BQQE</p> <p data-bbox="197 1469 764 1500">Curve tolerance: ISO9906:2012 3B</p> <p data-bbox="197 1523 320 1554"><b>Materials:</b></p> <p data-bbox="197 1554 735 1635">Pump housing: Cast iron EN-GJL-250 ASTM class 35</p> <p data-bbox="197 1635 632 1666">Wear ring: Brass</p> <p data-bbox="197 1666 735 1747">Impeller: Cast iron EN-GJL-200 ASTM class 30</p> <p data-bbox="197 1747 729 1850">Shaft: Stainless steel EN 1.4301 AISI 304</p> <p data-bbox="197 1872 344 1904"><b>Installation:</b></p> <p data-bbox="197 1904 632 1935">Maximum ambient temperature: 60 °C</p> <p data-bbox="197 1935 639 1966">Maximum operating pressure: 16 bar</p> <p data-bbox="197 1966 687 1998">Pipe connection standard: EN 1092-2</p> <p data-bbox="197 1998 639 2029">Size of inlet connection: DN 50</p> <p data-bbox="197 2029 639 2060">Size of outlet connection: DN 32</p> <p data-bbox="197 2060 687 2092">Pressure rating for pipe connection: PN 16</p> <p data-bbox="197 2092 584 2123">Pump housing with feet: Y</p>

Qty.	Description
	<p>Support block: N</p> <p><b>Electrical data:</b></p> <p>IE Efficiency class: IE3</p> <p>P2: 4 kW</p> <p>Mains frequency: 50 Hz</p> <p>Rated voltage: 3 x 380-415D V</p> <p>Rated current: 7.9 A</p> <p>Starting current: 1000-1110 %</p> <p>Cos phi - power factor: 0.87-0.87</p> <p>Rated speed: 2920-2940 rpm</p> <p>Efficiency: IE3 88,1%</p> <p>Motor efficiency at full load: 88.1 %</p> <p>Motor efficiency at 3/4 load: 88.6 %</p> <p>Motor efficiency at 1/2 load: 85.2 %</p> <p>Number of poles: 2</p> <p>Enclosure class (IEC 34-5): 55 Dust/Jetting</p> <p>Insulation class (IEC 85): F</p> <p><b>Others:</b></p> <p>Minimum efficiency index, MEI <math>\hat{\alpha}\%</math>: 0.70</p> <p>Net weight: 64 kg</p> <p>Gross weight: 74 kg</p> <p>Shipping volume: 0.178 m<sup>3</sup></p> <p>Country of origin: HU</p> <p>Custom tariff no.: 84137051</p>

## 98630634 NB 32-160.1/177 AF2ABQQE 50 Hz



Description	Value
-------------	-------

**General information:**

Product name: NB 32-160.1/177 AF2ABQQE

Product No: 98630634

EAN number: 5711498553705

Price: 1.796,00 GBP

**Technical:**

Rated flow: 22.7 m<sup>3</sup>/h

Rated head: 34.57 m

Actual impeller diameter: 177 mm

Nominal impeller diameter: 160.1 mm

Shaft seal arrangement: Single

Shaft diameter: 24 mm

Code for shaft seal: BQQE

Curve tolerance: ISO9906:2012 3B

Pump version: A

**Materials:**

Pump housing: Cast iron

EN-GJL-250

ASTM class 35

Wear ring: Brass

Impeller: Cast iron

EN-GJL-200

ASTM class 30

Shaft: Stainless steel

EN 1.4301

AISI 304

Material code: A

**Installation:**

Maximum ambient temperature: 60 °C

Maximum operating pressure: 16 bar

Pipe connection standard: EN 1092-2

Size of inlet connection: DN 50

Size of outlet connection: DN 32

Pressure rating for pipe connection: PN 16

Pump housing with feet: Y

Support block: N

Connect code: F2

**Liquid:**

Pumped liquid: Water

Liquid temperature range: -25 .. 120 °C

Liquid temperature during operation: 20 °C

Density: 998.2 kg/m<sup>3</sup>

**Electrical data:**

IE Efficiency class: IE3

P2: 4 kW

Mains frequency: 50 Hz

Rated voltage: 3 x 380-415D V

Rated current: 7.9 A

Starting current: 1000-1110 %

Cos phi - power factor: 0.87-0.87

Rated speed: 2920-2940 rpm

Efficiency: IE3 88,1%

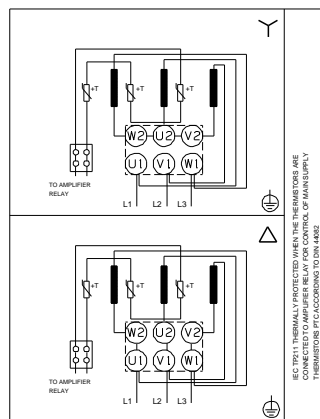
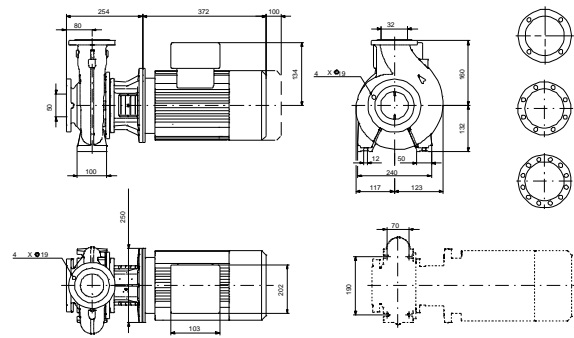
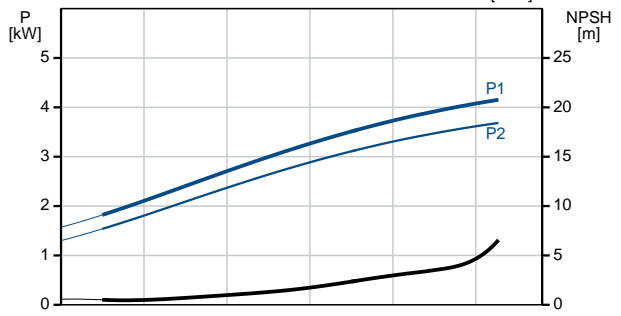
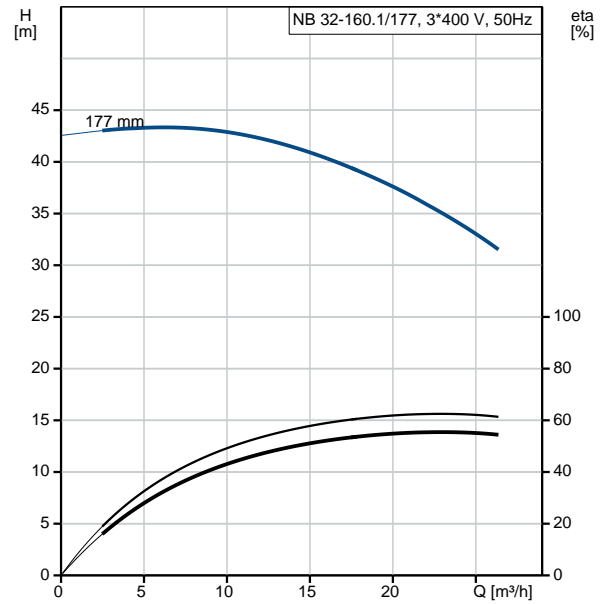
Motor efficiency at full load: 88.1 %

Motor efficiency at 3/4 load: 88.6 %

Motor efficiency at 1/2 load: 85.2 %

Number of poles: 2

Enclosure class (IEC 34-5): 55 Dust/Jetting





Company name:

Created by:

Phone:

Date:

21/03/2019

Description	Value
Insulation class (IEC 85):	F
Motor protec:	PTC
Motor No:	87322303
Mount. design. acc. IEC 34-7:	IM V1/B5
<b>Controls:</b>	
Frequency converter:	NONE
<b>Others:</b>	
Minimum efficiency index, MEI $\eta_{\%}$ :	0.70
Net weight:	64 kg
Gross weight:	74 kg
Shipping volume:	0.178 m <sup>3</sup>
Country of origin:	HU
Custom tariff no.:	84137051

## 98630634 NB 32-160.1/177 AF2ABQQE 50 Hz

