
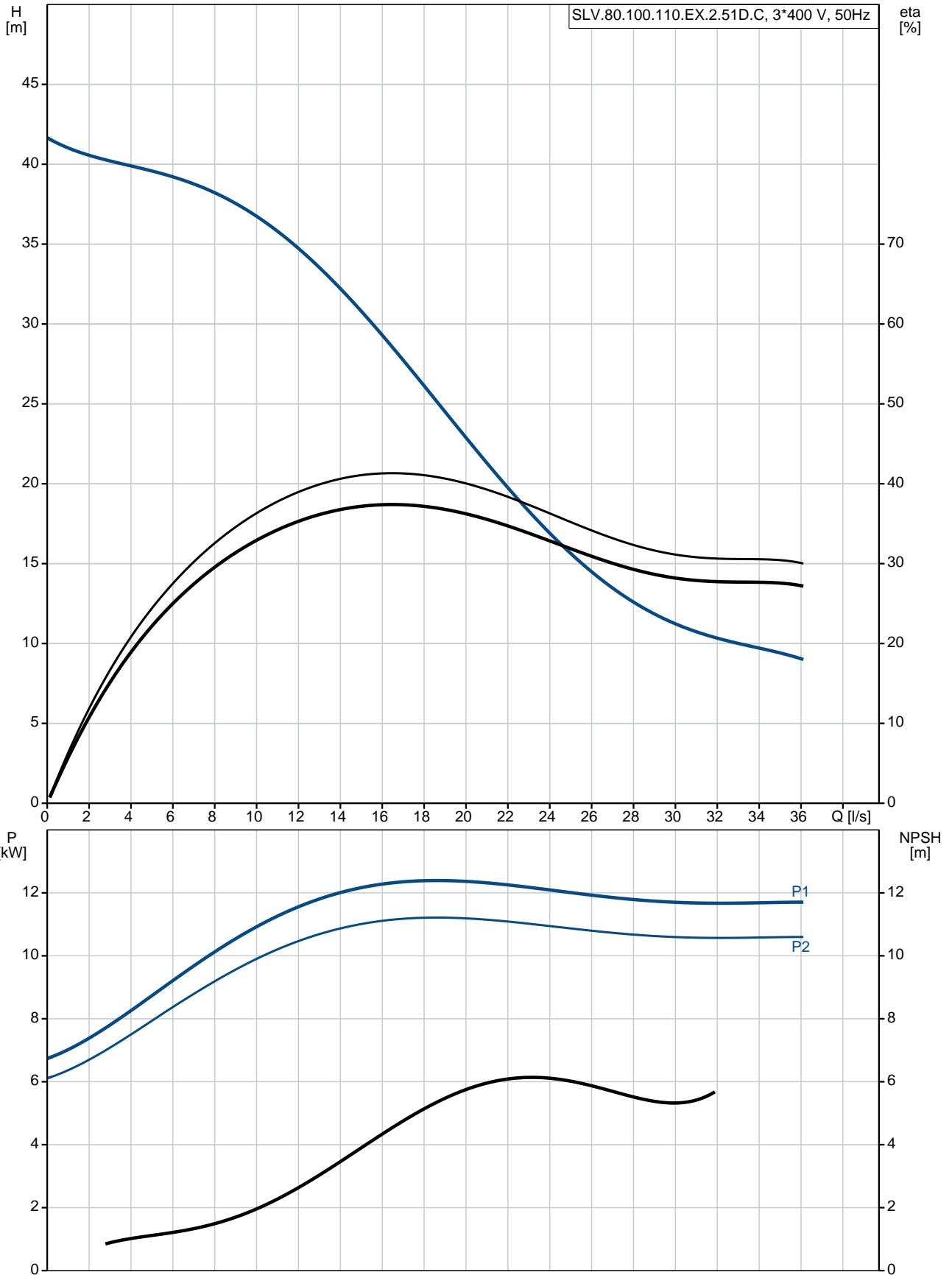


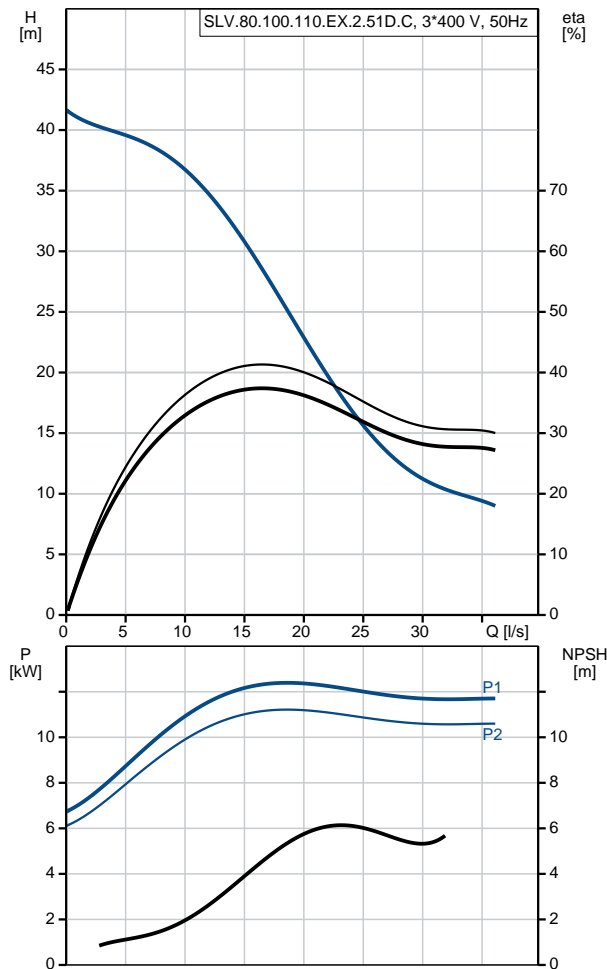
Position	Qty.	Description																																														
	1	<p><b>SLV.80.100.110.EX.2.51D.C</b></p>  <p style="text-align: center;"><b>Note! Product picture may differ from actual product</b></p> <p>Product No.: <a href="#">98626666</a></p> <p>Non-self-priming, single-stage, centrifugal pump designed for handling wastewater, process water and unscreened raw sewage.</p> <p>The pump is designed for intermittent and continuous operations in submerged installation. The efficient SuperVortex impeller provides passage of long fibres and solids up to 80 mm and is suitable for wastewater with a dry matter content of up to 5 %.</p> <p>A unique stainless-steel clamp assembling system enables quick and easy disassembly of the pump from the motor unit for service and inspection. No special tools are required. Pipework connection is via a DIN flange.</p> <p>The pump is explosion-proof.</p> <p><b>Controls:</b></p> <table> <tr> <td>Moisture sensor:</td> <td>with moisture sensors</td> </tr> <tr> <td>Water-in-oil sensor:</td> <td>without water-in-oil sensor</td> </tr> </table> <p><b>Liquid:</b></p> <table> <tr> <td>Pumped liquid:</td> <td>Any Newtonian liquid</td> </tr> <tr> <td>Maximum liquid temperature:</td> <td>40 °C</td> </tr> <tr> <td>Density:</td> <td>998.2 kg/m<sup>3</sup></td> </tr> </table> <p><b>Technical:</b></p> <table> <tr> <td>Type of impeller:</td> <td>SUPER VORTEX</td> </tr> <tr> <td>Maximum particle size:</td> <td>80 mm</td> </tr> <tr> <td>Primary shaft seal:</td> <td>SIC/SIC</td> </tr> <tr> <td>Secondary shaft seal:</td> <td>CARBON/CERAMICS</td> </tr> <tr> <td>Approvals on nameplate:</td> <td>CE, EN12050-1, ATEX</td> </tr> <tr> <td>Curve tolerance:</td> <td>ISO9906:2012 3B</td> </tr> </table> <p><b>Materials:</b></p> <table> <tr> <td>Pump housing:</td> <td>Cast iron (EN-GJL-250)</td> </tr> <tr> <td></td> <td>EN-GJL-250</td> </tr> <tr> <td>Impeller:</td> <td>Cast iron (EN-GJL-250)</td> </tr> <tr> <td></td> <td>EN-GJL-250</td> </tr> <tr> <td>Motor:</td> <td>EN-GJL-250</td> </tr> </table> <p><b>Installation:</b></p> <table> <tr> <td>Maximum ambient temperature:</td> <td>40 °C</td> </tr> <tr> <td>Flange standard:</td> <td>DIN</td> </tr> <tr> <td>Pump inlet:</td> <td>80</td> </tr> <tr> <td>Pump outlet:</td> <td>100</td> </tr> <tr> <td>Pressure rating:</td> <td>PN 10</td> </tr> <tr> <td>Maximum installation depth:</td> <td>20 m</td> </tr> <tr> <td>Frame range:</td> <td>D</td> </tr> </table>	Moisture sensor:	with moisture sensors	Water-in-oil sensor:	without water-in-oil sensor	Pumped liquid:	Any Newtonian liquid	Maximum liquid temperature:	40 °C	Density:	998.2 kg/m <sup>3</sup>	Type of impeller:	SUPER VORTEX	Maximum particle size:	80 mm	Primary shaft seal:	SIC/SIC	Secondary shaft seal:	CARBON/CERAMICS	Approvals on nameplate:	CE, EN12050-1, ATEX	Curve tolerance:	ISO9906:2012 3B	Pump housing:	Cast iron (EN-GJL-250)		EN-GJL-250	Impeller:	Cast iron (EN-GJL-250)		EN-GJL-250	Motor:	EN-GJL-250	Maximum ambient temperature:	40 °C	Flange standard:	DIN	Pump inlet:	80	Pump outlet:	100	Pressure rating:	PN 10	Maximum installation depth:	20 m	Frame range:	D
Moisture sensor:	with moisture sensors																																															
Water-in-oil sensor:	without water-in-oil sensor																																															
Pumped liquid:	Any Newtonian liquid																																															
Maximum liquid temperature:	40 °C																																															
Density:	998.2 kg/m <sup>3</sup>																																															
Type of impeller:	SUPER VORTEX																																															
Maximum particle size:	80 mm																																															
Primary shaft seal:	SIC/SIC																																															
Secondary shaft seal:	CARBON/CERAMICS																																															
Approvals on nameplate:	CE, EN12050-1, ATEX																																															
Curve tolerance:	ISO9906:2012 3B																																															
Pump housing:	Cast iron (EN-GJL-250)																																															
	EN-GJL-250																																															
Impeller:	Cast iron (EN-GJL-250)																																															
	EN-GJL-250																																															
Motor:	EN-GJL-250																																															
Maximum ambient temperature:	40 °C																																															
Flange standard:	DIN																																															
Pump inlet:	80																																															
Pump outlet:	100																																															
Pressure rating:	PN 10																																															
Maximum installation depth:	20 m																																															
Frame range:	D																																															

Position	Qty.	Description
		<p><b>Electrical data:</b></p> <p>Power input - P1: 12.5 kW</p> <p>Rated power - P2: 11 kW</p> <p>Mains frequency: 50 Hz</p> <p>Rated voltage: 3 x 380-415 V</p> <p>Voltage tolerance: +10/-10 %</p> <p>Max starts per. hour: 20</p> <p>Rated current: 22.2-21.1 A</p> <p>Starting current: 160 A</p> <p>Cos phi - power factor: 0.84</p> <p>Cos phi - p.f. at 3/4 load: 0.80</p> <p>Cos phi - p.f. at 1/2 load: 0.70</p> <p>Rated speed: 2947 rpm</p> <p>Motor efficiency at full load: 90.5 %</p> <p>Motor efficiency at 3/4 load: 90.9 %</p> <p>Motor efficiency at 1/2 load: 90.6 %</p> <p>Number of poles: 2</p> <p>Start. method: star/delta</p> <p>Enclosure class (IEC 34-5): IP68</p> <p>Insulation class (IEC 85): H</p> <p>Explosion proof: yes</p> <p>Length of cable: 10 m</p> <p>Cable type: LYNIFLEX</p> <p><b>Others:</b></p> <p>Net weight: 177 kg</p> <p>Country of origin: HU</p> <p>Custom tariff no.: 84137021</p>

## 98626666 SLV.80.100.110.EX.2.51D.C 50 Hz



Description	Value
<b>General information:</b>	
Product name:	SLV.80.100.110.EX.2.51D.C
Product No:	98626666
EAN number:	5711498477131
Price:	4.970,00 GBP
<b>Technical:</b>	
Max flow:	36.1 l/s
Head max:	42.1 m
Type of impeller:	SUPER VORTEX
Maximum particle size:	80 mm
Primary shaft seal:	SIC/SIC
Secondary shaft seal:	CARBON/CERAMICS
Approvals on nameplate:	CE, EN12050-1, ATEX
Curve tolerance:	ISO9906:2012 3B
Cooling jacket:	without cooling jacket
<b>Materials:</b>	
Pump housing:	Cast iron (EN-GJL-250)
	EN-GJL-250
Impeller:	Cast iron (EN-GJL-250)
	EN-GJL-250
Motor:	EN-GJL-250
<b>Installation:</b>	
Maximum ambient temperature:	40 °C
Flange standard:	DIN
Pump inlet:	80
Pump outlet:	100
Pressure rating:	PN 10
Maximum installation depth:	20 m
Inst dry/wet:	SUBMERGED
Installation:	Vertical
Frame range:	D
<b>Liquid:</b>	
Pumped liquid:	Any Newtonian liquid
Maximum liquid temperature:	40 °C
Density:	998.2 kg/m <sup>3</sup>
<b>Electrical data:</b>	
Power input - P1:	12.5 kW
Rated power - P2:	11 kW
Mains frequency:	50 Hz
Rated voltage:	3 x 380-415 V
Voltage tolerance:	+10/-10 %
Max starts per. hour:	20
Rated current:	22.2-21.1 A
Starting current:	160 A
Cos phi - power factor:	0.84
Cos phi - p.f. at 3/4 load:	0.80
Cos phi - p.f. at 1/2 load:	0.70
Rated speed:	2947 rpm
Motor efficiency at full load:	90.5 %
Motor efficiency at 3/4 load:	90.9 %
Motor efficiency at 1/2 load:	90.6 %
Number of poles:	2
Start. method:	star/delta
Enclosure class (IEC 34-5):	IP68
Insulation class (IEC 85):	H
Explosion proof:	yes
Motor protec:	THERMAL SWITCH
Length of cable:	10 m





Company name:

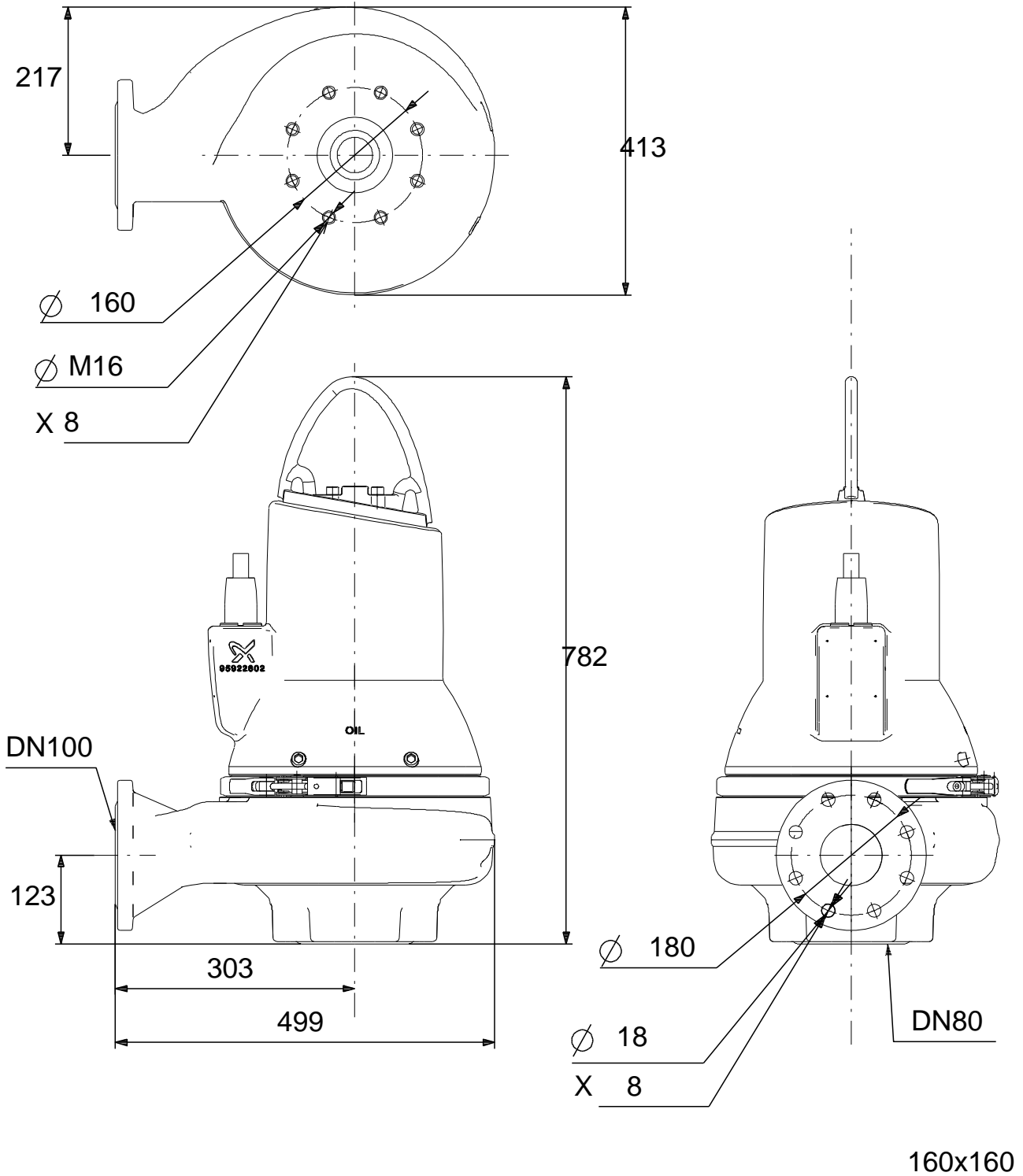
Created by:

Phone:

Date: 07/12/2018

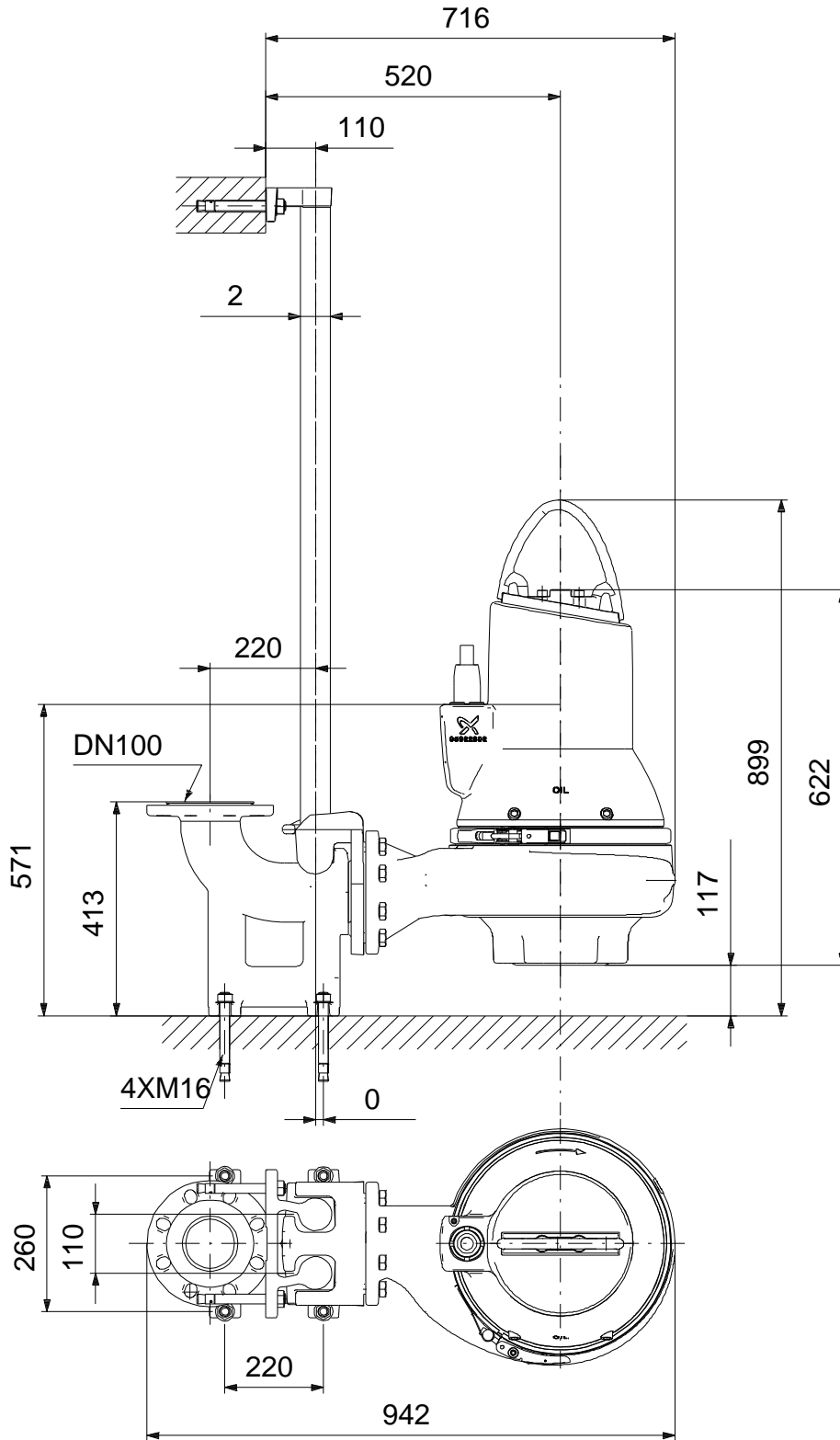
Description	Value
Cable type:	LYNIFLEX
<b>Controls:</b>	
Control box:	not included
Moisture sensor:	with moisture sensors
Water-in-oil sensor:	without water-in-oil sensor
<b>Others:</b>	
Net weight:	177 kg
Country of origin:	HU
Custom tariff no.:	84137021

## 98626666 SLV.80.100.110.EX.2.51D.C 50 Hz



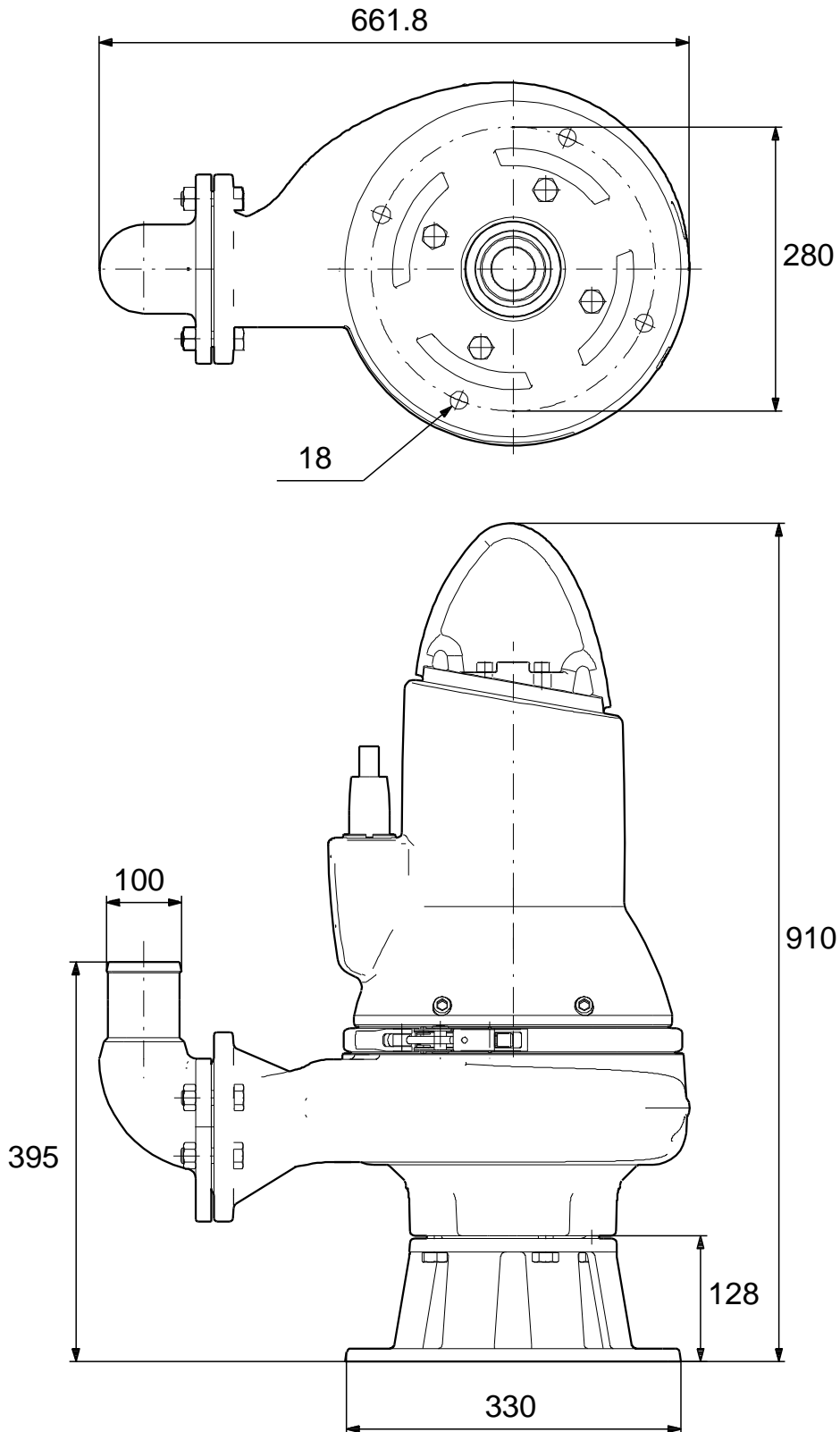
Note! All units are in [mm] unless others are stated.  
Disclaimer: This simplified dimensional drawing does not show all details.

## 98626666 SLV.80.100.110.EX.2.51D.C 50 Hz



Note! All units are in [mm] unless others are stated.  
Disclaimer: This simplified dimensional drawing does not show all details.

## 98626666 SLV.80.100.110.EX.2.51D.C 50 Hz



Note! All units are in [mm] unless others are stated.  
Disclaimer: This simplified dimensional drawing does not show all details.



