


| Position | Count | Description | | | | | | | | | | | | | | | | | | | | | | | | | | | | | | | | | | | | | | | | | | | | | | |
|------------------------------|-----------------------------|--|------------------|-----------------------|----------------------|-----------------------------|----------------|-------------------|-----------------------------|--------|----------|--------------------------|-------------------|--------------|------------------------|----------|---------------------|---------|-----------------------|-----------------|-------------------------|---------------------|------------------|------------------|---------------|------------------------|--|------------|-----------|------------------------|--|------------|--------|------------|------------------------------|--------|------------------|-----|-------------|----|--------------|-----|-----------------|-------|-----------------------------|----------|--------------|-----|
| | 1 | <p>SLV.80.100.40.EX.2.51D.C</p>  <p style="text-align: center;">Product photo could vary from the actual product</p> <p>Product No.: 98626662</p> <p>Non-self-priming, single-stage, centrifugal pump designed for handling wastewater, process water and unscreened raw sewage.</p> <p>The pump is designed for intermittent and continuous operations in submerged installation. The efficient SuperVortex impeller provides passage of long fibres and solids up to 3 1/8 in and is suitable for wastewater with a dry matter content of up to 5 %.</p> <p>A unique stainless-steel clamp assembling system enables quick and easy disassembly of the pump from the motor unit for service and inspection. No special tools are required. Pipework connection is via a DIN flange.</p> <p>The pump is explosion-proof.</p> <p>Controls:</p> <table> <tr> <td>Moisture sensor:</td> <td>with moisture sensors</td> </tr> <tr> <td>Water-in-oil sensor:</td> <td>without water-in-oil sensor</td> </tr> </table> <p>Liquid:</p> <table> <tr> <td>Pumped liquid:</td> <td>any viscous fluid</td> </tr> <tr> <td>Maximum liquid temperature:</td> <td>104 °F</td> </tr> <tr> <td>Density:</td> <td>62.29 lb/ft³</td> </tr> </table> <p>Technical:</p> <table> <tr> <td>Type of impeller:</td> <td>Super Vortex</td> </tr> <tr> <td>Maximum particle size:</td> <td>3 1/8 in</td> </tr> <tr> <td>Primary shaft seal:</td> <td>SIC/SIC</td> </tr> <tr> <td>Secondary shaft seal:</td> <td>CARBON/CERAMICS</td> </tr> <tr> <td>Approvals on nameplate:</td> <td>CE, EN12050-1, ATEX</td> </tr> <tr> <td>Curve tolerance:</td> <td>ISO9906:2012 3B2</td> </tr> </table> <p>Materials:</p> <table> <tr> <td>Pump housing:</td> <td>Cast iron (EN-GJL-250)</td> </tr> <tr> <td></td> <td>EN-GJL-250</td> </tr> <tr> <td>Impeller:</td> <td>Cast iron (EN-GJL-250)</td> </tr> <tr> <td></td> <td>EN-GJL-250</td> </tr> <tr> <td>Motor:</td> <td>EN-GJL-250</td> </tr> </table> <p>Installation:</p> <table> <tr> <td>Maximum ambient temperature:</td> <td>104 °F</td> </tr> <tr> <td>Flange standard:</td> <td>DIN</td> </tr> <tr> <td>Pump inlet:</td> <td>80</td> </tr> <tr> <td>Pump outlet:</td> <td>100</td> </tr> <tr> <td>Pressure stage:</td> <td>PN 10</td> </tr> <tr> <td>Maximum installation depth:</td> <td>65.62 ft</td> </tr> <tr> <td>Frame range:</td> <td>C22</td> </tr> </table> | Moisture sensor: | with moisture sensors | Water-in-oil sensor: | without water-in-oil sensor | Pumped liquid: | any viscous fluid | Maximum liquid temperature: | 104 °F | Density: | 62.29 lb/ft ³ | Type of impeller: | Super Vortex | Maximum particle size: | 3 1/8 in | Primary shaft seal: | SIC/SIC | Secondary shaft seal: | CARBON/CERAMICS | Approvals on nameplate: | CE, EN12050-1, ATEX | Curve tolerance: | ISO9906:2012 3B2 | Pump housing: | Cast iron (EN-GJL-250) | | EN-GJL-250 | Impeller: | Cast iron (EN-GJL-250) | | EN-GJL-250 | Motor: | EN-GJL-250 | Maximum ambient temperature: | 104 °F | Flange standard: | DIN | Pump inlet: | 80 | Pump outlet: | 100 | Pressure stage: | PN 10 | Maximum installation depth: | 65.62 ft | Frame range: | C22 |
| Moisture sensor: | with moisture sensors | | | | | | | | | | | | | | | | | | | | | | | | | | | | | | | | | | | | | | | | | | | | | | | |
| Water-in-oil sensor: | without water-in-oil sensor | | | | | | | | | | | | | | | | | | | | | | | | | | | | | | | | | | | | | | | | | | | | | | | |
| Pumped liquid: | any viscous fluid | | | | | | | | | | | | | | | | | | | | | | | | | | | | | | | | | | | | | | | | | | | | | | | |
| Maximum liquid temperature: | 104 °F | | | | | | | | | | | | | | | | | | | | | | | | | | | | | | | | | | | | | | | | | | | | | | | |
| Density: | 62.29 lb/ft ³ | | | | | | | | | | | | | | | | | | | | | | | | | | | | | | | | | | | | | | | | | | | | | | | |
| Type of impeller: | Super Vortex | | | | | | | | | | | | | | | | | | | | | | | | | | | | | | | | | | | | | | | | | | | | | | | |
| Maximum particle size: | 3 1/8 in | | | | | | | | | | | | | | | | | | | | | | | | | | | | | | | | | | | | | | | | | | | | | | | |
| Primary shaft seal: | SIC/SIC | | | | | | | | | | | | | | | | | | | | | | | | | | | | | | | | | | | | | | | | | | | | | | | |
| Secondary shaft seal: | CARBON/CERAMICS | | | | | | | | | | | | | | | | | | | | | | | | | | | | | | | | | | | | | | | | | | | | | | | |
| Approvals on nameplate: | CE, EN12050-1, ATEX | | | | | | | | | | | | | | | | | | | | | | | | | | | | | | | | | | | | | | | | | | | | | | | |
| Curve tolerance: | ISO9906:2012 3B2 | | | | | | | | | | | | | | | | | | | | | | | | | | | | | | | | | | | | | | | | | | | | | | | |
| Pump housing: | Cast iron (EN-GJL-250) | | | | | | | | | | | | | | | | | | | | | | | | | | | | | | | | | | | | | | | | | | | | | | | |
| | EN-GJL-250 | | | | | | | | | | | | | | | | | | | | | | | | | | | | | | | | | | | | | | | | | | | | | | | |
| Impeller: | Cast iron (EN-GJL-250) | | | | | | | | | | | | | | | | | | | | | | | | | | | | | | | | | | | | | | | | | | | | | | | |
| | EN-GJL-250 | | | | | | | | | | | | | | | | | | | | | | | | | | | | | | | | | | | | | | | | | | | | | | | |
| Motor: | EN-GJL-250 | | | | | | | | | | | | | | | | | | | | | | | | | | | | | | | | | | | | | | | | | | | | | | | |
| Maximum ambient temperature: | 104 °F | | | | | | | | | | | | | | | | | | | | | | | | | | | | | | | | | | | | | | | | | | | | | | | |
| Flange standard: | DIN | | | | | | | | | | | | | | | | | | | | | | | | | | | | | | | | | | | | | | | | | | | | | | | |
| Pump inlet: | 80 | | | | | | | | | | | | | | | | | | | | | | | | | | | | | | | | | | | | | | | | | | | | | | | |
| Pump outlet: | 100 | | | | | | | | | | | | | | | | | | | | | | | | | | | | | | | | | | | | | | | | | | | | | | | |
| Pressure stage: | PN 10 | | | | | | | | | | | | | | | | | | | | | | | | | | | | | | | | | | | | | | | | | | | | | | | |
| Maximum installation depth: | 65.62 ft | | | | | | | | | | | | | | | | | | | | | | | | | | | | | | | | | | | | | | | | | | | | | | | |
| Frame range: | C22 | | | | | | | | | | | | | | | | | | | | | | | | | | | | | | | | | | | | | | | | | | | | | | | |



Company name:

Created by:

Phone:

Date:

12/6/2018

| Position | Count | Description |
|----------|-------|---|
| | | Electrical data: Power input - P1: 4.9 kW Rated power - P2: 5.5 HP Main frequency: 50 Hz Rated voltage: 3 x 380-415 V Voltage tolerance: +10/-10 % Max starts per. hour: 20 Rated current: 8.4-7.9 A Starting current: 86 A Cos phi - power factor: 0.88 Cos phi - p.f. at 3/4 load: 0.83 Cos phi - p.f. at 1/2 load: 0.77 Rated speed: 2930 rpm Motor efficiency at full load: 86.2 % Motor efficiency at 3/4 load: 85.3 % Motor efficiency at 1/2 load: 83.2 % Number of poles: 2 Start. method: star/delta Enclosure class (IEC 34-5): IP68 Insulation class (IEC 85): H Explosion proof: yes Length of cable: 33 ft Cable type: LYNIFLEX Others: Net weight: 272 lb Country of origin: HU Custom tariff no.: 84137021 |



Company name:

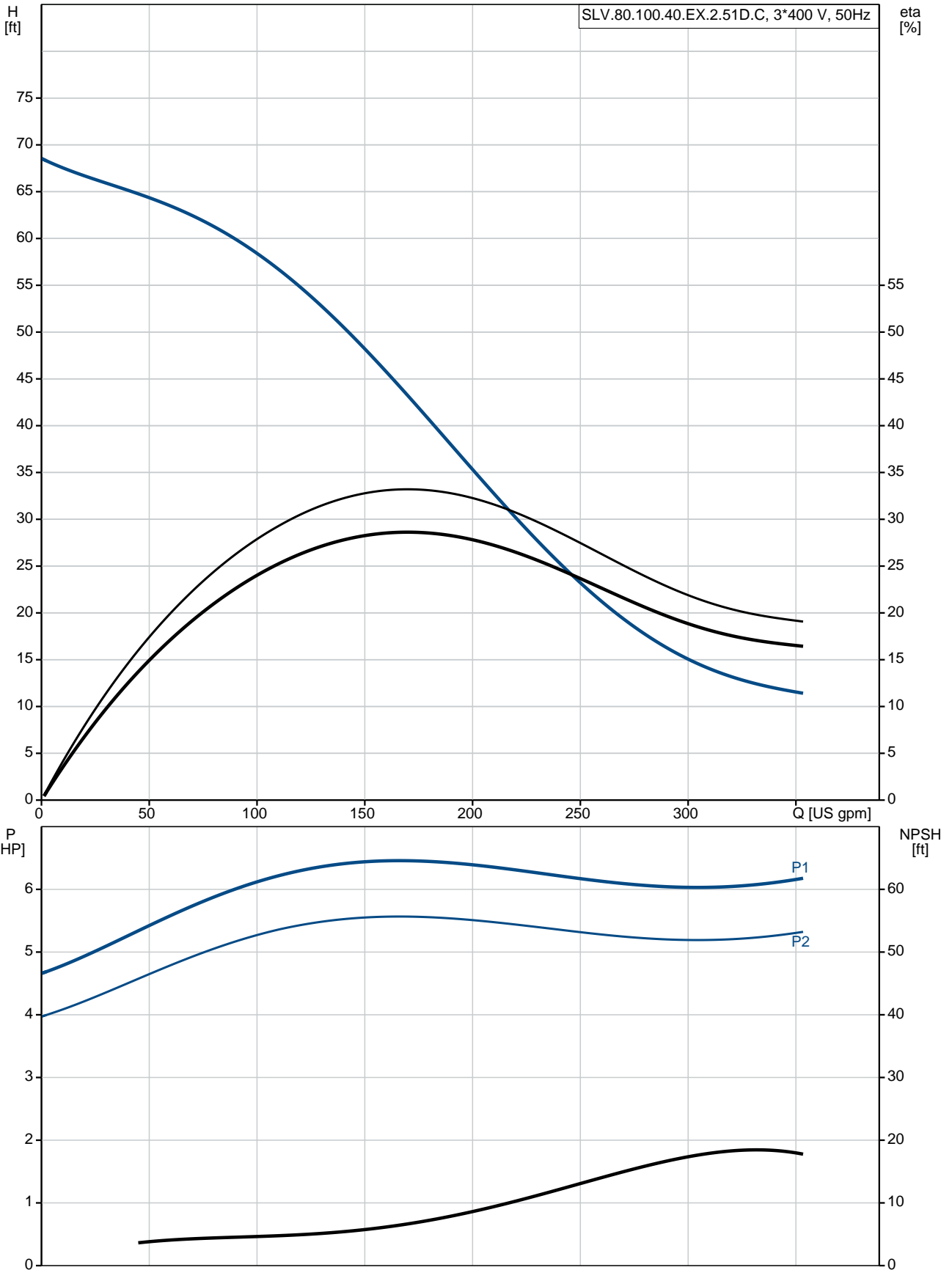
Created by:

Phone:

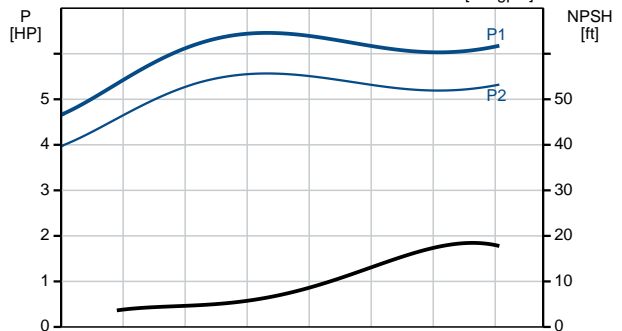
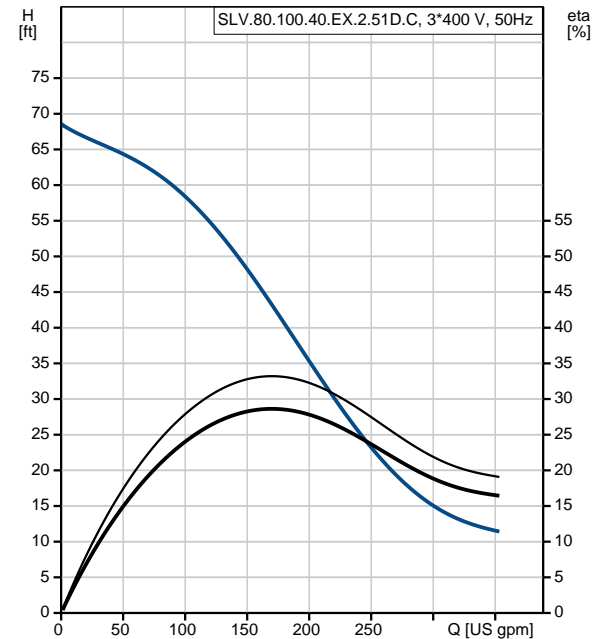
Date:

12/6/2018

98626662 SLV.80.100.40.EX.2.51D.C 50 Hz



| Description | Value |
|--------------------------------|--------------------------------------|
| General information: | |
| Product name: | SLV.80.100.40.EX.2.51D.C |
| Product No.: | 98626662 |
| EAN: | 5711498477056 |
| Technical: | |
| Max flow: | 352 US gpm |
| Head max: | 74.81 ft |
| Type of impeller: | Super Vortex |
| Maximum particle size: | 3 1/8 in |
| Primary shaft seal: | SIC/SIC |
| Secondary shaft seal: | CARBON/CERAMICS |
| Approvals on nameplate: | CE, EN12050-1, ATEX |
| Curve tolerance: | ISO9906:2012 3B2 |
| Cooling jacket: | without cooling jacket |
| Materials: | |
| Pump housing: | Cast iron (EN-GJL-250) EN-GJL-250 |
| Impeller: | Cast iron (EN-GJL-250) EN-GJL-250 |
| Motor: | EN-GJL-250 |
| Installation: | |
| Maximum ambient temperature: | 104 °F |
| Flange standard: | DIN |
| Pump inlet: | 80 |
| Pump outlet: | 100 |
| Pressure stage: | PN 10 |
| Maximum installation depth: | 65.62 ft |
| Inst dry/wet: | SUBMERGED |
| Installation: | Vertical |
| Frame range: | C22 |
| Liquid: | |
| Pumped liquid: | any viscous fluid |
| Maximum liquid temperature: | 104 °F |
| Density: | 62.29 lb/ft ³ |
| Electrical data: | |
| Power input - P1: | 4.9 kW |
| Rated power - P2: | 5.5 HP |
| Main frequency: | 50 Hz |
| Rated voltage: | 3 x 380-415 V |
| Voltage tolerance: | +10/-10 % |
| Max starts per. hour: | 20 |
| Rated current: | 8.4-7.9 A |
| Starting current: | 86 A |
| Cos phi - power factor: | 0.88 |
| Cos phi - p.f. at 3/4 load: | 0.83 |
| Cos phi - p.f. at 1/2 load: | 0.77 |
| Rated speed: | 2930 rpm |
| Motor efficiency at full load: | 86.2 % |
| Motor efficiency at 3/4 load: | 85.3 % |
| Motor efficiency at 1/2 load: | 83.2 % |
| Number of poles: | 2 |
| Start. method: | star/delta |
| Enclosure class (IEC 34-5): | IP68 |
| Insulation class (IEC 85): | H |
| Explosion proof: | yes |
| Motor protection: | THERMAL SWITCH |
| Length of cable: | 33 ft |
| Cable type: | LYNIFLEX |





Company name:

Created by:

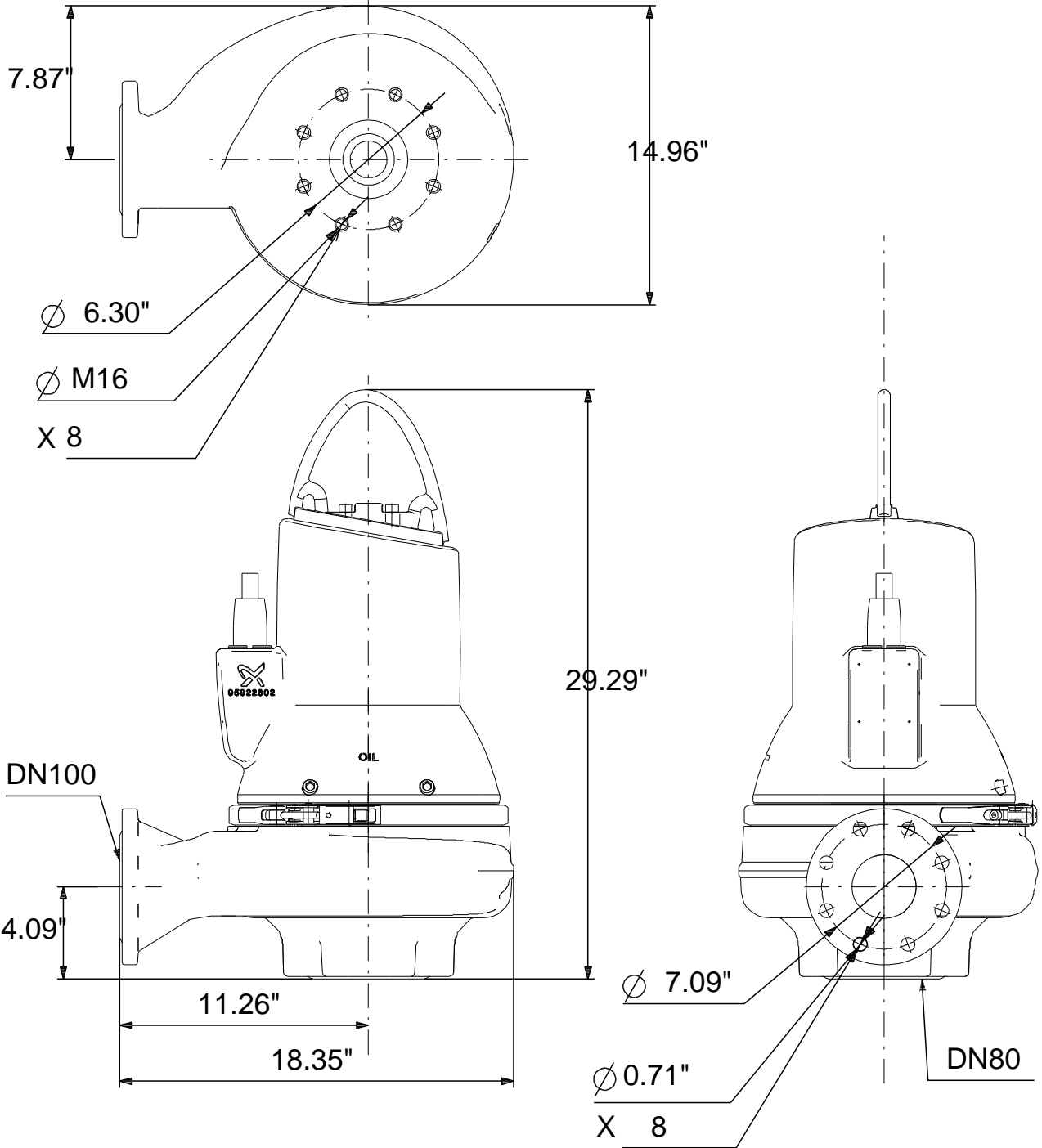
Phone:

Date:

12/6/2018

| Description | Value |
|----------------------|-----------------------------|
| Controls: | |
| Control box: | not included |
| Moisture sensor: | with moisture sensors |
| Water-in-oil sensor: | without water-in-oil sensor |
| Others: | |
| Net weight: | 272 lb |
| Country of origin: | HU |
| Custom tariff no.: | 84137021 |

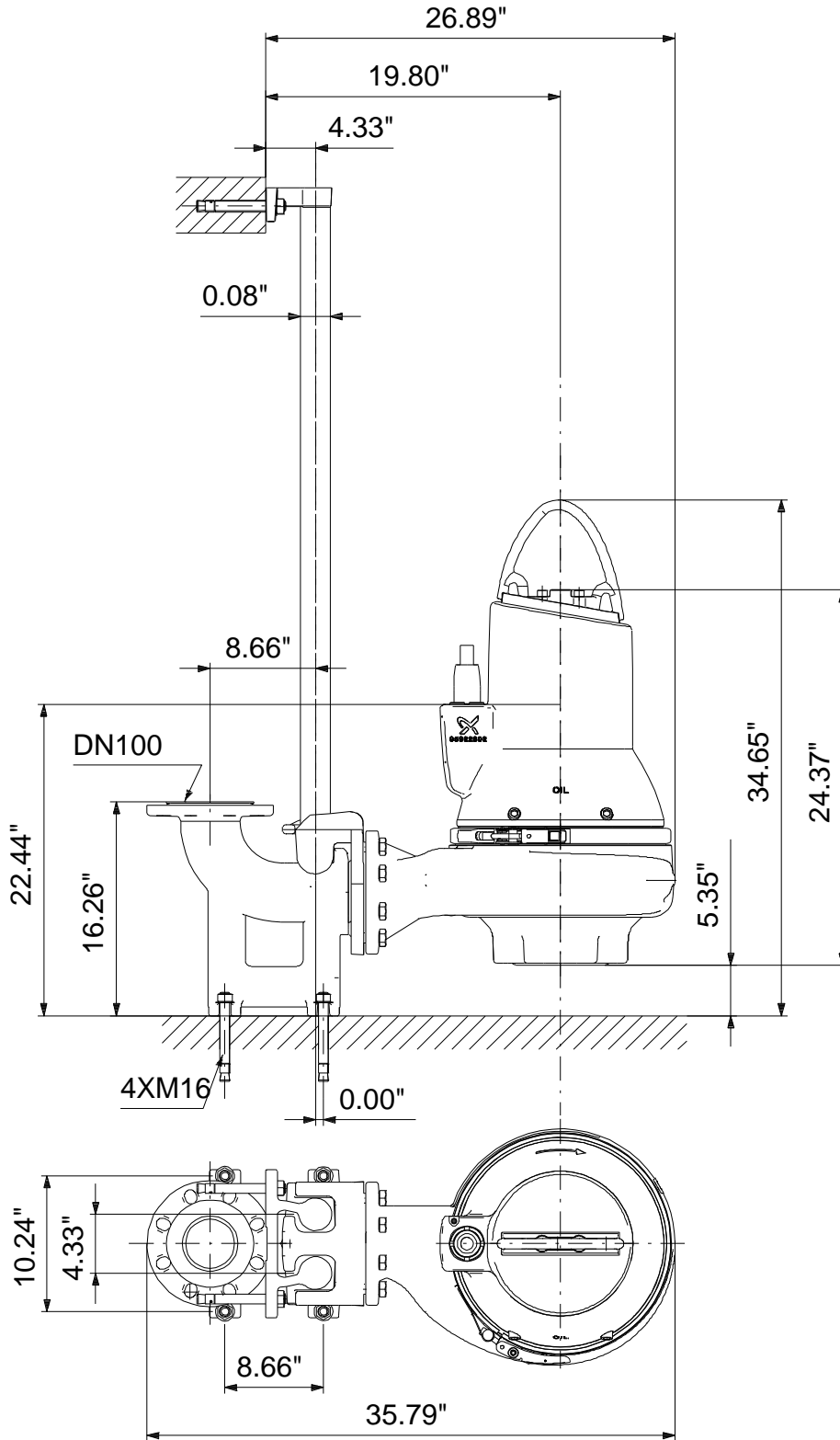
98626662 SLV.80.100.40.EX.2.51D.C 50 Hz



160x160

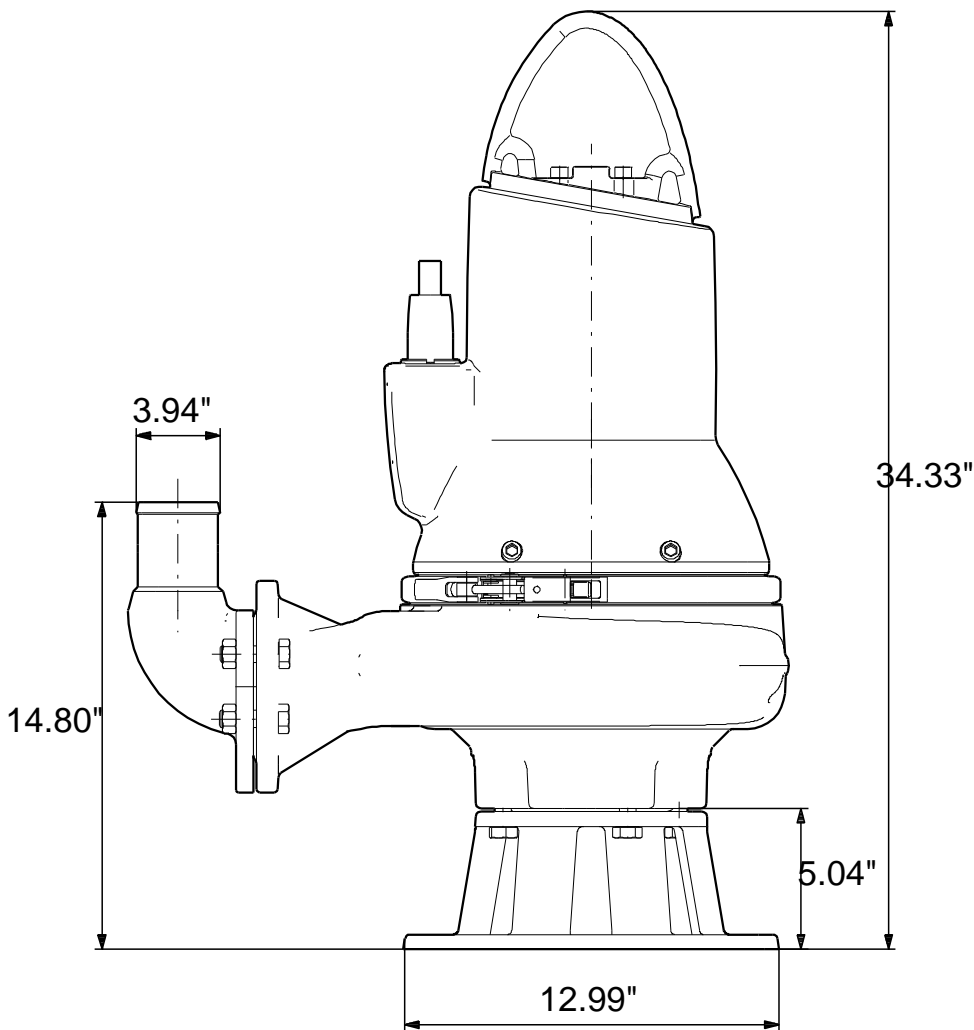
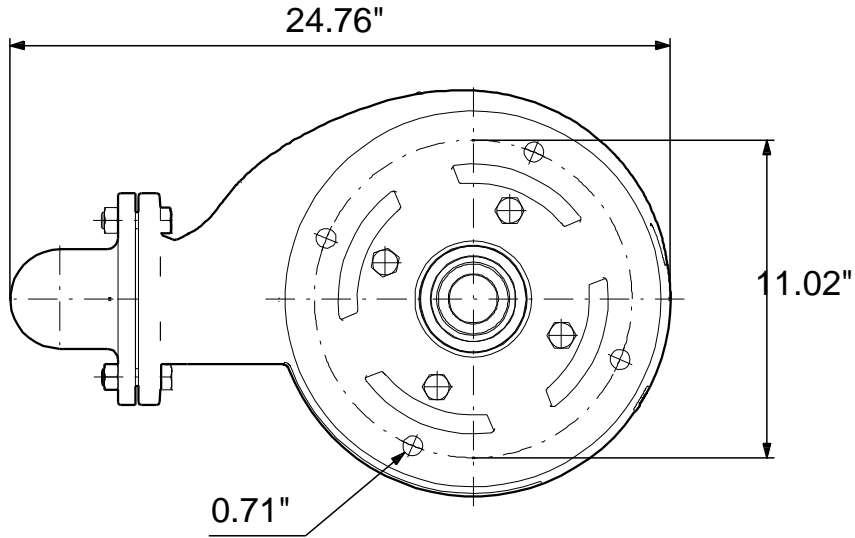
Note! All units are in [mm] unless otherwise stated.
Disclaimer: This simplified dimensional drawing does not show all details.

98626662 SLV.80.100.40.EX.2.51D.C 50 Hz



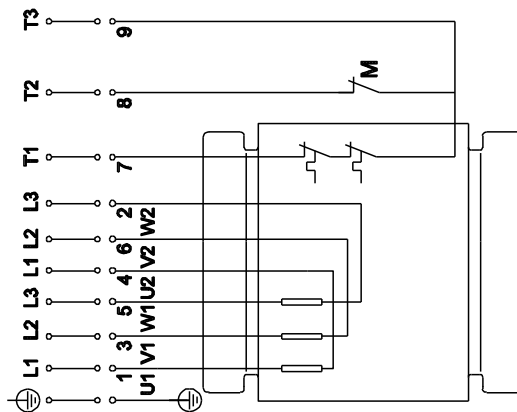
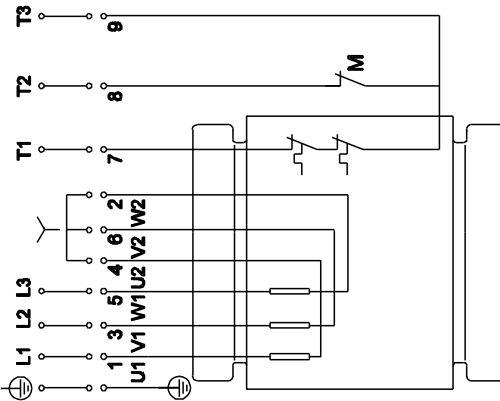
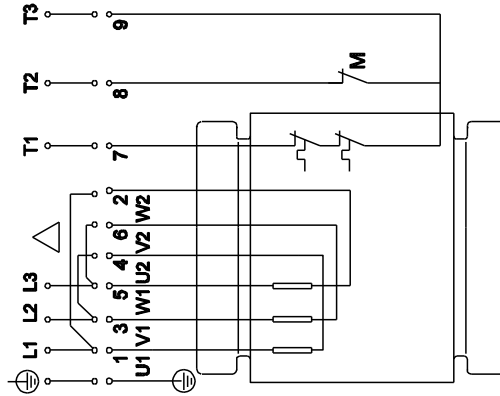
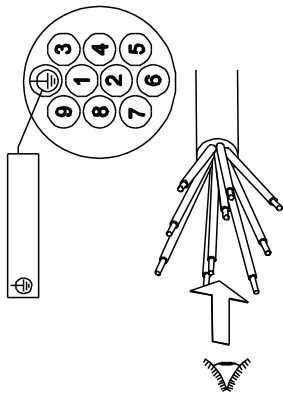
Note! All units are in [mm] unless otherwise stated.
 Disclaimer: This simplified dimensional drawing does not show all details.

98626662 SLV.80.100.40.EX.2.51D.C 50 Hz



Note! All units are in [mm] unless otherwise stated.
Disclaimer: This simplified dimensional drawing does not show all details.

98626662 SLV.80.100.40.EX.2.51D.C 50 Hz



All units are [mm] unless otherwise presented.