


| Position                     | Count                                | Description  |                  |                       |                      |                             |                |                   |                             |        |          |                          |                   |              |                        |          |                     |         |                       |                 |                         |                     |                  |                  |               |                                      |           |                                      |        |            |                              |        |                  |     |             |    |              |     |                 |       |                             |          |              |   |
|------------------------------|--------------------------------------|--|------------------|-----------------------|----------------------|-----------------------------|----------------|-------------------|-----------------------------|--------|----------|--------------------------|-------------------|--------------|------------------------|----------|---------------------|---------|-----------------------|-----------------|-------------------------|---------------------|------------------|------------------|---------------|--------------------------------------|-----------|--------------------------------------|--------|------------|------------------------------|--------|------------------|-----|-------------|----|--------------|-----|-----------------|-------|-----------------------------|----------|--------------|---|
|                              | 1                                    | <p><b>SLV.80.100.15.EX.4.50D.C</b></p>  <p style="text-align: center;">Product photo could vary from the actual product</p> <p>Product No.: <a href="#">98626618</a></p> <p>Non-self-priming, single-stage, centrifugal pump designed for handling wastewater, process water and unscreened raw sewage.</p> <p>The pump is designed for intermittent and continuous operations in submerged installation. The efficient SuperVortex impeller provides passage of long fibres and solids up to 3 1/8 in and is suitable for wastewater with a dry matter content of up to 5 %.</p> <p>A unique stainless-steel clamp assembling system enables quick and easy disassembly of the pump from the motor unit for service and inspection. No special tools are required. Pipework connection is via a DIN flange.</p> <p>The pump is explosion-proof.</p> <p><b>Controls:</b></p> <table> <tr> <td>Moisture sensor:</td> <td>with moisture sensors</td> </tr> <tr> <td>Water-in-oil sensor:</td> <td>without water-in-oil sensor</td> </tr> </table> <p><b>Liquid:</b></p> <table> <tr> <td>Pumped liquid:</td> <td>any viscous fluid</td> </tr> <tr> <td>Maximum liquid temperature:</td> <td>104 °F</td> </tr> <tr> <td>Density:</td> <td>62.29 lb/ft<sup>3</sup></td> </tr> </table> <p><b>Technical:</b></p> <table> <tr> <td>Type of impeller:</td> <td>Super Vortex</td> </tr> <tr> <td>Maximum particle size:</td> <td>3 1/8 in</td> </tr> <tr> <td>Primary shaft seal:</td> <td>SIC/SIC</td> </tr> <tr> <td>Secondary shaft seal:</td> <td>CARBON/CERAMICS</td> </tr> <tr> <td>Approvals on nameplate:</td> <td>CE, EN12050-1, ATEX</td> </tr> <tr> <td>Curve tolerance:</td> <td>ISO9906:2012 3B2</td> </tr> </table> <p><b>Materials:</b></p> <table> <tr> <td>Pump housing:</td> <td>Cast iron (EN-GJL-250)<br/>EN-GJL-250</td> </tr> <tr> <td>Impeller:</td> <td>Cast iron (EN-GJL-250)<br/>EN-GJL-250</td> </tr> <tr> <td>Motor:</td> <td>EN-GJL-250</td> </tr> </table> <p><b>Installation:</b></p> <table> <tr> <td>Maximum ambient temperature:</td> <td>104 °F</td> </tr> <tr> <td>Flange standard:</td> <td>DIN</td> </tr> <tr> <td>Pump inlet:</td> <td>80</td> </tr> <tr> <td>Pump outlet:</td> <td>100</td> </tr> <tr> <td>Pressure stage:</td> <td>PN 10</td> </tr> <tr> <td>Maximum installation depth:</td> <td>65.62 ft</td> </tr> <tr> <td>Frame range:</td> <td>B</td> </tr> </table> | Moisture sensor: | with moisture sensors | Water-in-oil sensor: | without water-in-oil sensor | Pumped liquid: | any viscous fluid | Maximum liquid temperature: | 104 °F | Density: | 62.29 lb/ft <sup>3</sup> | Type of impeller: | Super Vortex | Maximum particle size: | 3 1/8 in | Primary shaft seal: | SIC/SIC | Secondary shaft seal: | CARBON/CERAMICS | Approvals on nameplate: | CE, EN12050-1, ATEX | Curve tolerance: | ISO9906:2012 3B2 | Pump housing: | Cast iron (EN-GJL-250)<br>EN-GJL-250 | Impeller: | Cast iron (EN-GJL-250)<br>EN-GJL-250 | Motor: | EN-GJL-250 | Maximum ambient temperature: | 104 °F | Flange standard: | DIN | Pump inlet: | 80 | Pump outlet: | 100 | Pressure stage: | PN 10 | Maximum installation depth: | 65.62 ft | Frame range: | B |
| Moisture sensor:             | with moisture sensors                |  |                  |                       |                      |                             |                |                   |                             |        |          |                          |                   |              |                        |          |                     |         |                       |                 |                         |                     |                  |                  |               |                                      |           |                                      |        |            |                              |        |                  |     |             |    |              |     |                 |       |                             |          |              |   |
| Water-in-oil sensor:         | without water-in-oil sensor          |  |                  |                       |                      |                             |                |                   |                             |        |          |                          |                   |              |                        |          |                     |         |                       |                 |                         |                     |                  |                  |               |                                      |           |                                      |        |            |                              |        |                  |     |             |    |              |     |                 |       |                             |          |              |   |
| Pumped liquid:               | any viscous fluid                    |  |                  |                       |                      |                             |                |                   |                             |        |          |                          |                   |              |                        |          |                     |         |                       |                 |                         |                     |                  |                  |               |                                      |           |                                      |        |            |                              |        |                  |     |             |    |              |     |                 |       |                             |          |              |   |
| Maximum liquid temperature:  | 104 °F                               |  |                  |                       |                      |                             |                |                   |                             |        |          |                          |                   |              |                        |          |                     |         |                       |                 |                         |                     |                  |                  |               |                                      |           |                                      |        |            |                              |        |                  |     |             |    |              |     |                 |       |                             |          |              |   |
| Density:                     | 62.29 lb/ft <sup>3</sup>             |  |                  |                       |                      |                             |                |                   |                             |        |          |                          |                   |              |                        |          |                     |         |                       |                 |                         |                     |                  |                  |               |                                      |           |                                      |        |            |                              |        |                  |     |             |    |              |     |                 |       |                             |          |              |   |
| Type of impeller:            | Super Vortex                         |  |                  |                       |                      |                             |                |                   |                             |        |          |                          |                   |              |                        |          |                     |         |                       |                 |                         |                     |                  |                  |               |                                      |           |                                      |        |            |                              |        |                  |     |             |    |              |     |                 |       |                             |          |              |   |
| Maximum particle size:       | 3 1/8 in                             |  |                  |                       |                      |                             |                |                   |                             |        |          |                          |                   |              |                        |          |                     |         |                       |                 |                         |                     |                  |                  |               |                                      |           |                                      |        |            |                              |        |                  |     |             |    |              |     |                 |       |                             |          |              |   |
| Primary shaft seal:          | SIC/SIC                              |  |                  |                       |                      |                             |                |                   |                             |        |          |                          |                   |              |                        |          |                     |         |                       |                 |                         |                     |                  |                  |               |                                      |           |                                      |        |            |                              |        |                  |     |             |    |              |     |                 |       |                             |          |              |   |
| Secondary shaft seal:        | CARBON/CERAMICS                      |  |                  |                       |                      |                             |                |                   |                             |        |          |                          |                   |              |                        |          |                     |         |                       |                 |                         |                     |                  |                  |               |                                      |           |                                      |        |            |                              |        |                  |     |             |    |              |     |                 |       |                             |          |              |   |
| Approvals on nameplate:      | CE, EN12050-1, ATEX                  |  |                  |                       |                      |                             |                |                   |                             |        |          |                          |                   |              |                        |          |                     |         |                       |                 |                         |                     |                  |                  |               |                                      |           |                                      |        |            |                              |        |                  |     |             |    |              |     |                 |       |                             |          |              |   |
| Curve tolerance:             | ISO9906:2012 3B2                     |  |                  |                       |                      |                             |                |                   |                             |        |          |                          |                   |              |                        |          |                     |         |                       |                 |                         |                     |                  |                  |               |                                      |           |                                      |        |            |                              |        |                  |     |             |    |              |     |                 |       |                             |          |              |   |
| Pump housing:                | Cast iron (EN-GJL-250)<br>EN-GJL-250 |  |                  |                       |                      |                             |                |                   |                             |        |          |                          |                   |              |                        |          |                     |         |                       |                 |                         |                     |                  |                  |               |                                      |           |                                      |        |            |                              |        |                  |     |             |    |              |     |                 |       |                             |          |              |   |
| Impeller:                    | Cast iron (EN-GJL-250)<br>EN-GJL-250 |  |                  |                       |                      |                             |                |                   |                             |        |          |                          |                   |              |                        |          |                     |         |                       |                 |                         |                     |                  |                  |               |                                      |           |                                      |        |            |                              |        |                  |     |             |    |              |     |                 |       |                             |          |              |   |
| Motor:                       | EN-GJL-250                           |  |                  |                       |                      |                             |                |                   |                             |        |          |                          |                   |              |                        |          |                     |         |                       |                 |                         |                     |                  |                  |               |                                      |           |                                      |        |            |                              |        |                  |     |             |    |              |     |                 |       |                             |          |              |   |
| Maximum ambient temperature: | 104 °F                               |  |                  |                       |                      |                             |                |                   |                             |        |          |                          |                   |              |                        |          |                     |         |                       |                 |                         |                     |                  |                  |               |                                      |           |                                      |        |            |                              |        |                  |     |             |    |              |     |                 |       |                             |          |              |   |
| Flange standard:             | DIN                                  |  |                  |                       |                      |                             |                |                   |                             |        |          |                          |                   |              |                        |          |                     |         |                       |                 |                         |                     |                  |                  |               |                                      |           |                                      |        |            |                              |        |                  |     |             |    |              |     |                 |       |                             |          |              |   |
| Pump inlet:                  | 80                                   |  |                  |                       |                      |                             |                |                   |                             |        |          |                          |                   |              |                        |          |                     |         |                       |                 |                         |                     |                  |                  |               |                                      |           |                                      |        |            |                              |        |                  |     |             |    |              |     |                 |       |                             |          |              |   |
| Pump outlet:                 | 100                                  |  |                  |                       |                      |                             |                |                   |                             |        |          |                          |                   |              |                        |          |                     |         |                       |                 |                         |                     |                  |                  |               |                                      |           |                                      |        |            |                              |        |                  |     |             |    |              |     |                 |       |                             |          |              |   |
| Pressure stage:              | PN 10                                |  |                  |                       |                      |                             |                |                   |                             |        |          |                          |                   |              |                        |          |                     |         |                       |                 |                         |                     |                  |                  |               |                                      |           |                                      |        |            |                              |        |                  |     |             |    |              |     |                 |       |                             |          |              |   |
| Maximum installation depth:  | 65.62 ft                             |  |                  |                       |                      |                             |                |                   |                             |        |          |                          |                   |              |                        |          |                     |         |                       |                 |                         |                     |                  |                  |               |                                      |           |                                      |        |            |                              |        |                  |     |             |    |              |     |                 |       |                             |          |              |   |
| Frame range:                 | B                                    |  |                  |                       |                      |                             |                |                   |                             |        |          |                          |                   |              |                        |          |                     |         |                       |                 |                         |                     |                  |                  |               |                                      |           |                                      |        |            |                              |        |                  |     |             |    |              |     |                 |       |                             |          |              |   |



Company name:

Created by:

Phone:

Date:

12/6/2018

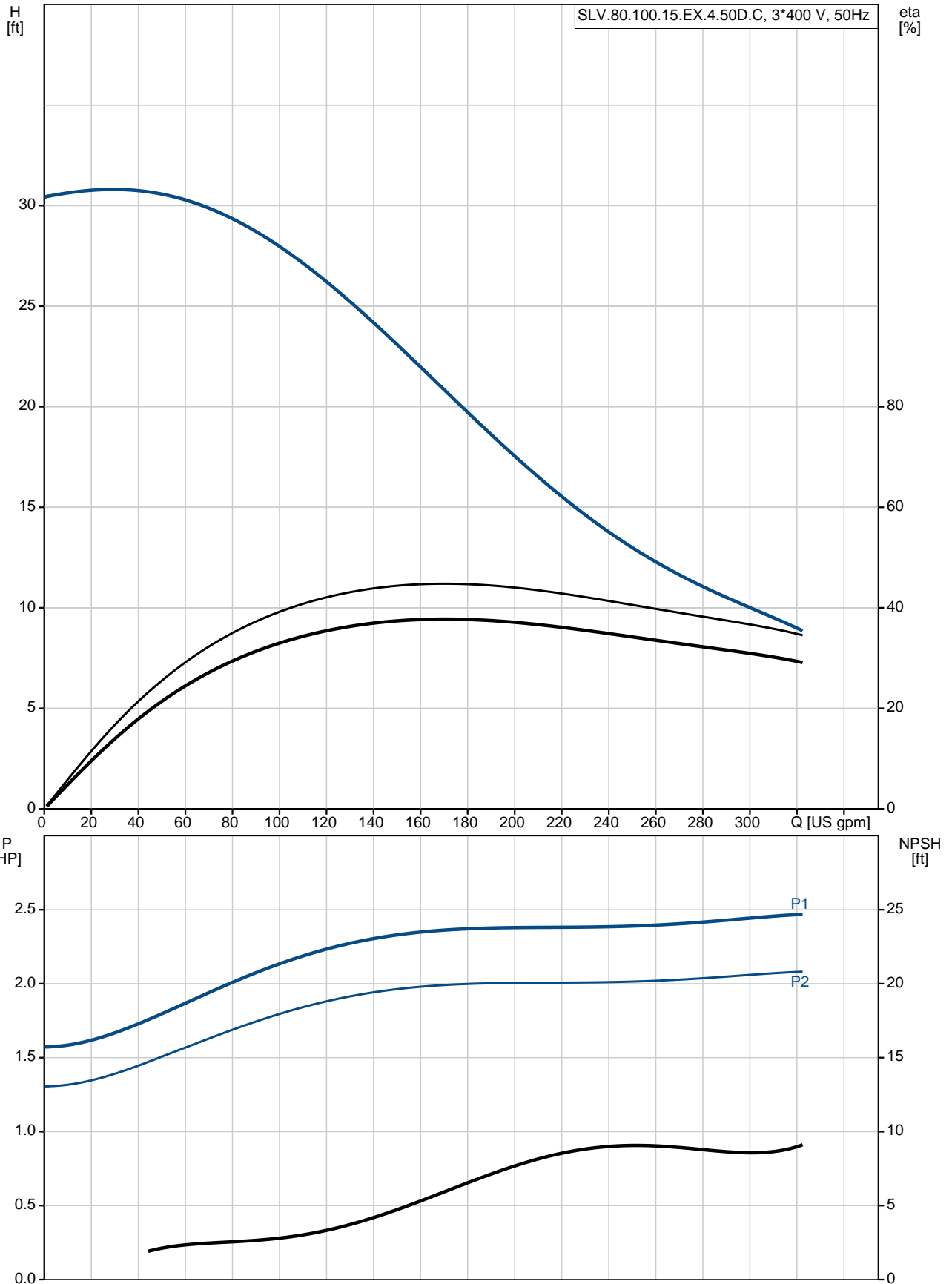
| Position | Count | Description  |
|----------|-------|--|
|          |       | <p><b>Electrical data:</b></p> <p>Power input - P1: 1.9 kW</p> <p>Rated power - P2: 2 HP</p> <p>Main frequency: 50 Hz</p> <p>Rated voltage: 3 x 380-415 V</p> <p>Voltage tolerance: +10/-10 %</p> <p>Max starts per. hour: 20</p> <p>Rated current: 4.1-4.2 A</p> <p>Cos phi - power factor: 0.70</p> <p>Cos phi - p.f. at 3/4 load: 0.61</p> <p>Cos phi - p.f. at 1/2 load: 0.48</p> <p>Rated speed: 1452 rpm</p> <p>Motor efficiency at full load: 84.3 %</p> <p>Motor efficiency at 3/4 load: 83.9 %</p> <p>Motor efficiency at 1/2 load: 81.8 %</p> <p>Number of poles: 4</p> <p>Start. method: direct-on-line</p> <p>Enclosure class (IEC 34-5): IP68</p> <p>Insulation class (IEC 85): H</p> <p>Explosion proof: yes</p> <p>Length of cable: 33 ft</p> <p>Cable type: LYNIFLEX</p> <p><b>Others:</b></p> <p>Net weight: 205 lb</p> <p>Country of origin: HU</p> <p>Custom tariff no.: 84137021</p> |



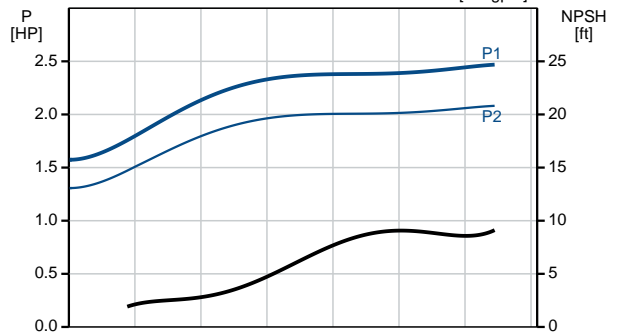
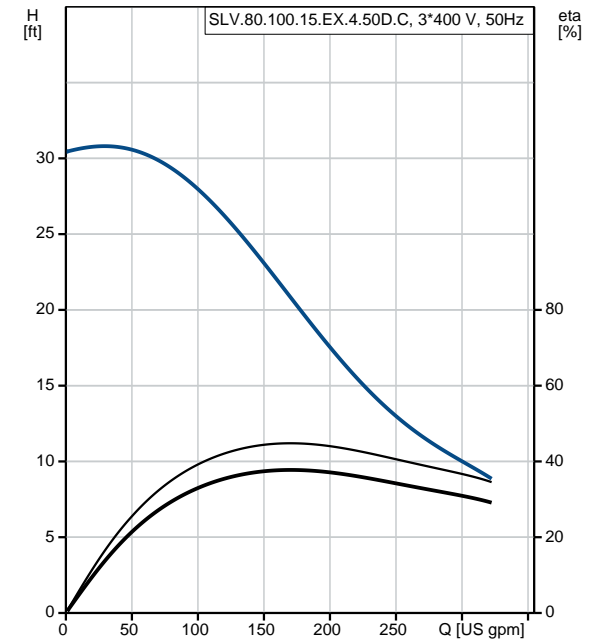
Company name:  
Created by:  
Phone:

Date: 12/6/2018

### 98626618 SLV.80.100.15.EX.4.50D.C 50 Hz



| Description                    | Value                                |
|--------------------------------|--------------------------------------|
| <b>General information:</b>    |                                      |
| Product name:                  | SLV.80.100.15.EX.4.50D.C             |
| Product No.:                   | 98626618                             |
| EAN:                           | 5711498476172                        |
| <b>Technical:</b>              |                                      |
| Max flow:                      | 321 US gpm                           |
| Head max:                      | 32.81 ft                             |
| Type of impeller:              | Super Vortex                         |
| Maximum particle size:         | 3 1/8 in                             |
| Primary shaft seal:            | SIC/SIC                              |
| Secondary shaft seal:          | CARBON/CERAMICS                      |
| Approvals on nameplate:        | CE, EN12050-1, ATEX                  |
| Curve tolerance:               | ISO9906:2012 3B2                     |
| Cooling jacket:                | without cooling jacket               |
| <b>Materials:</b>              |                                      |
| Pump housing:                  | Cast iron (EN-GJL-250)<br>EN-GJL-250 |
| Impeller:                      | Cast iron (EN-GJL-250)<br>EN-GJL-250 |
| Motor:                         | EN-GJL-250                           |
| <b>Installation:</b>           |                                      |
| Maximum ambient temperature:   | 104 °F                               |
| Flange standard:               | DIN                                  |
| Pump inlet:                    | 80                                   |
| Pump outlet:                   | 100                                  |
| Pressure stage:                | PN 10                                |
| Maximum installation depth:    | 65.62 ft                             |
| Inst dry/wet:                  | SUBMERGED                            |
| Installation:                  | Vertical                             |
| Frame range:                   | B                                    |
| <b>Liquid:</b>                 |                                      |
| Pumped liquid:                 | any viscous fluid                    |
| Maximum liquid temperature:    | 104 °F                               |
| Density:                       | 62.29 lb/ft <sup>3</sup>             |
| <b>Electrical data:</b>        |                                      |
| Power input - P1:              | 1.9 kW                               |
| Rated power - P2:              | 2 HP                                 |
| Main frequency:                | 50 Hz                                |
| Rated voltage:                 | 3 x 380-415 V                        |
| Voltage tolerance:             | +10/-10 %                            |
| Max starts per. hour:          | 20                                   |
| Rated current:                 | 4.1-4.2 A                            |
| Cos phi - power factor:        | 0.70                                 |
| Cos phi - p.f. at 3/4 load:    | 0.61                                 |
| Cos phi - p.f. at 1/2 load:    | 0.48                                 |
| Rated speed:                   | 1452 rpm                             |
| Motor efficiency at full load: | 84.3 %                               |
| Motor efficiency at 3/4 load:  | 83.9 %                               |
| Motor efficiency at 1/2 load:  | 81.8 %                               |
| Number of poles:               | 4                                    |
| Start. method:                 | direct-on-line                       |
| Enclosure class (IEC 34-5):    | IP68                                 |
| Insulation class (IEC 85):     | H                                    |
| Explosion proof:               | yes                                  |
| Motor protection:              | THERMAL SWITCH                       |
| Length of cable:               | 33 ft                                |
| Cable type:                    | LYNIFLEX                             |
| <b>Controls:</b>               |                                      |





Company name:

Created by:

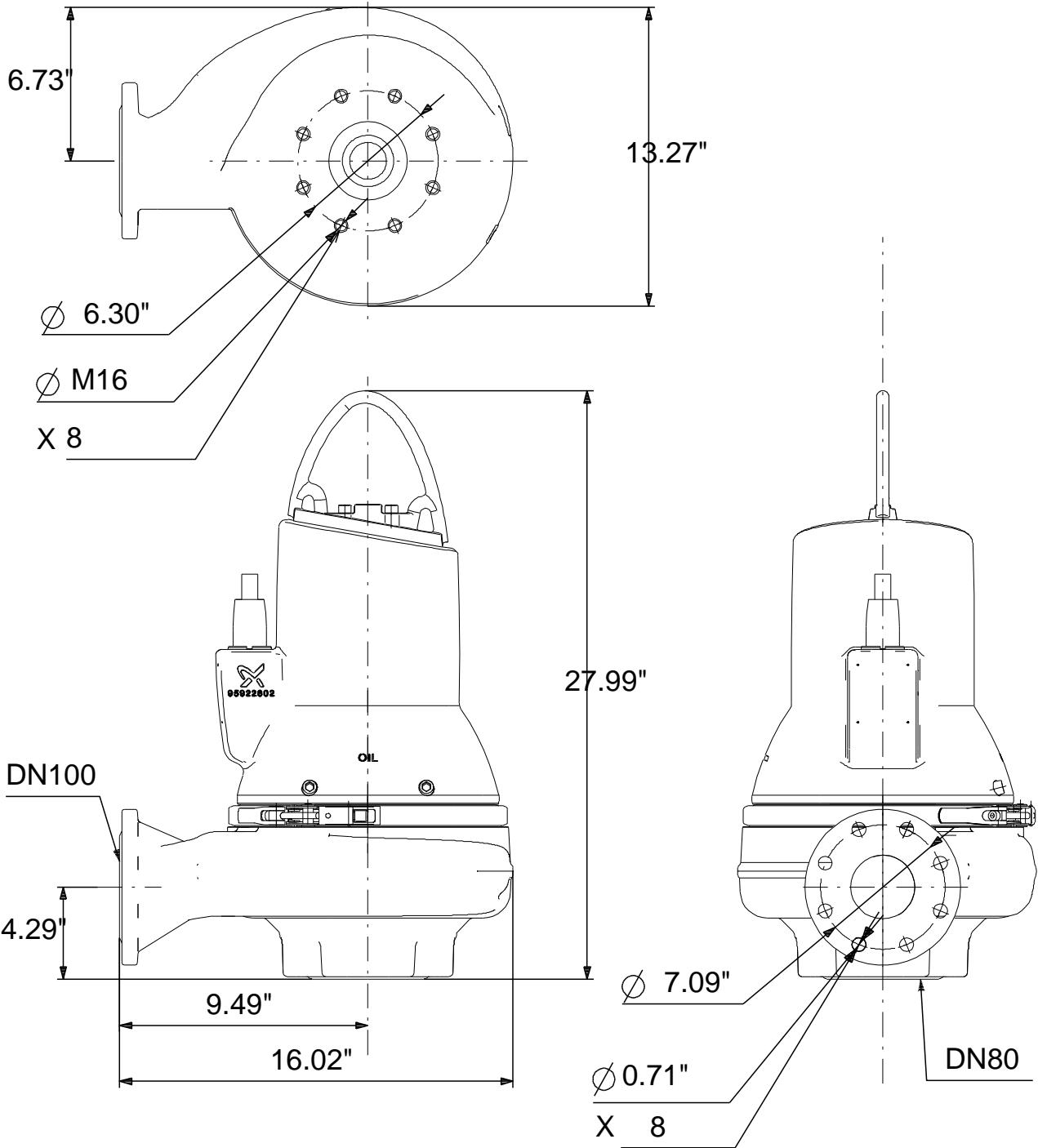
Phone:

Date:

12/6/2018

| Description          | Value                       |
|----------------------|-----------------------------|
| Control box:         | not included                |
| Moisture sensor:     | with moisture sensors       |
| Water-in-oil sensor: | without water-in-oil sensor |
| <b>Others:</b>       |                             |
| Net weight:          | 205 lb                      |
| Country of origin:   | HU                          |
| Custom tariff no.:   | 84137021                    |

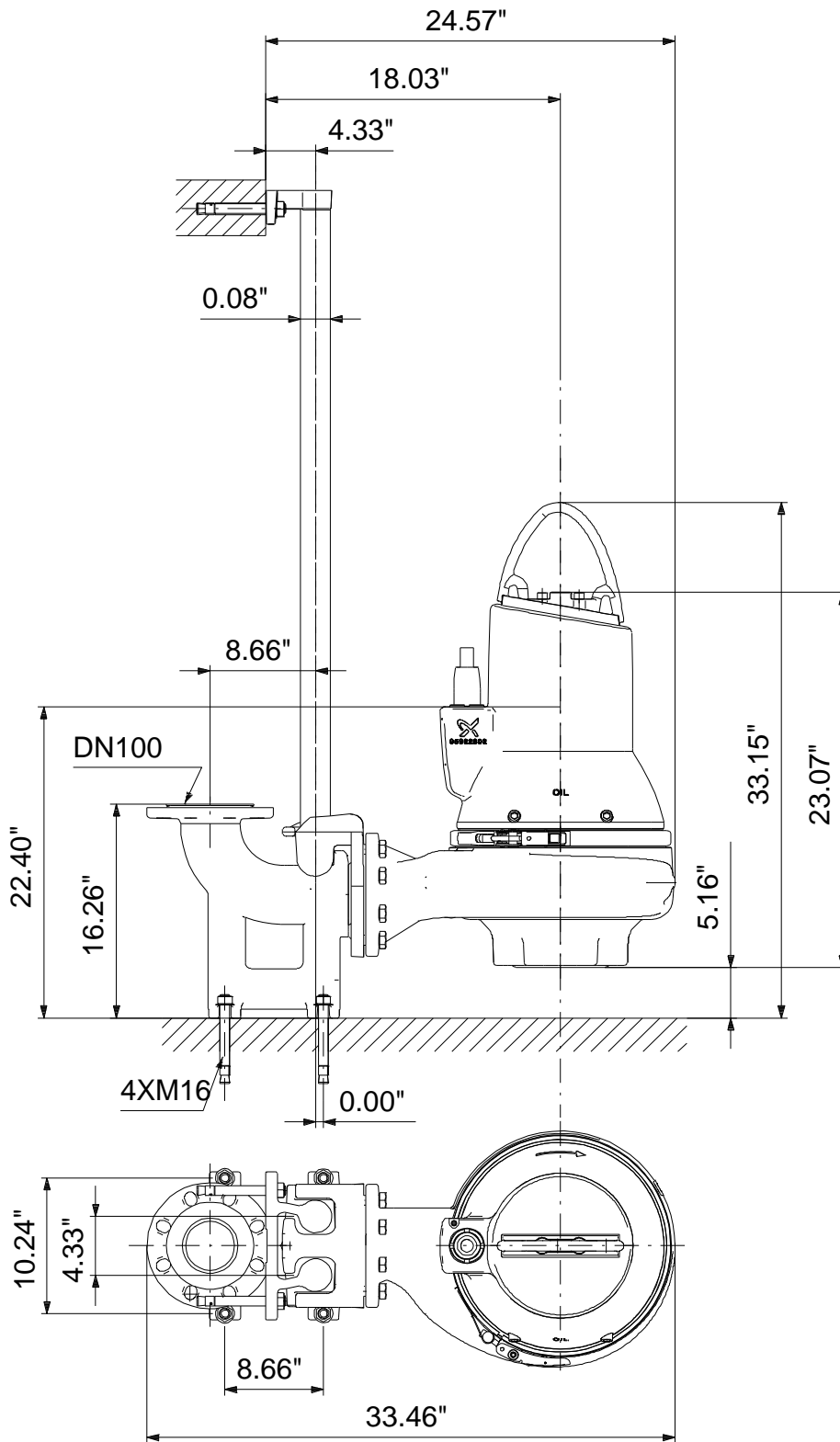
## 98626618 SLV.80.100.15.EX.4.50D.C 50 Hz



160x160

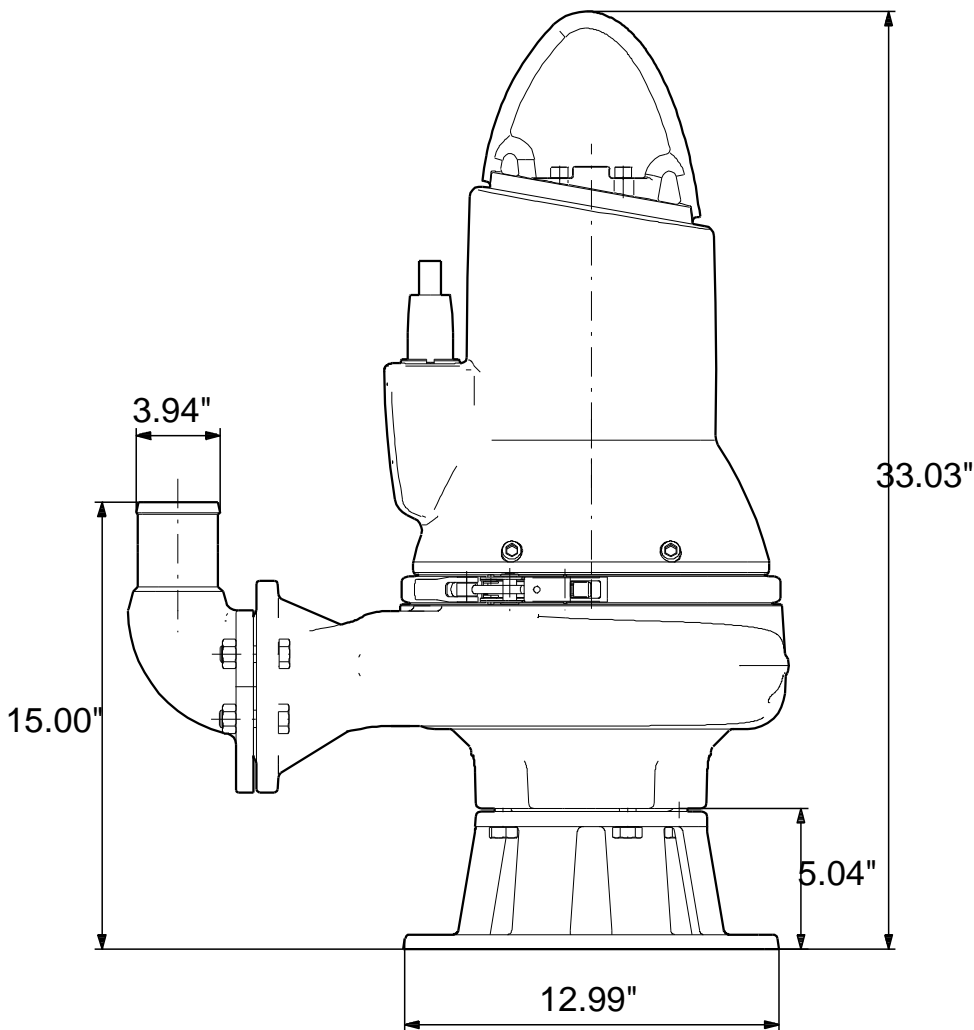
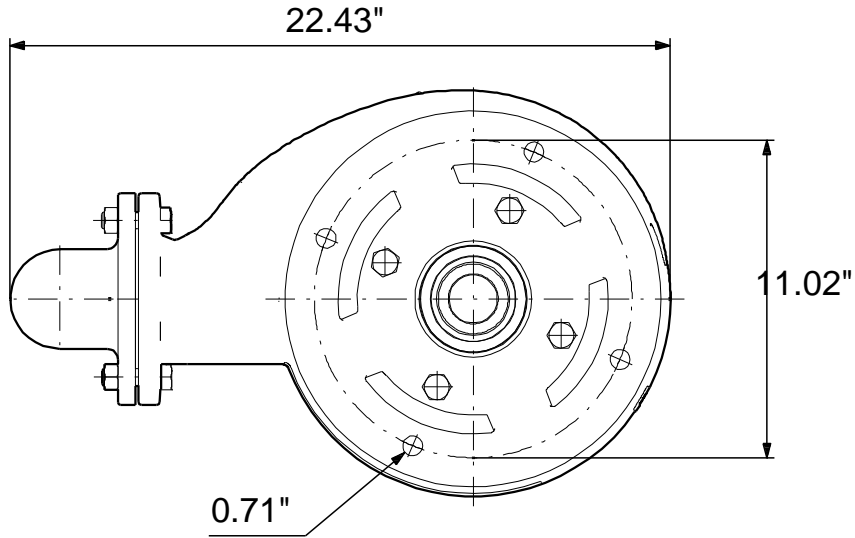
Note! All units are in [mm] unless otherwise stated.  
Disclaimer: This simplified dimensional drawing does not show all details.

## 98626618 SLV.80.100.15.EX.4.50D.C 50 Hz



Note! All units are in [mm] unless otherwise stated.  
 Disclaimer: This simplified dimensional drawing does not show all details.

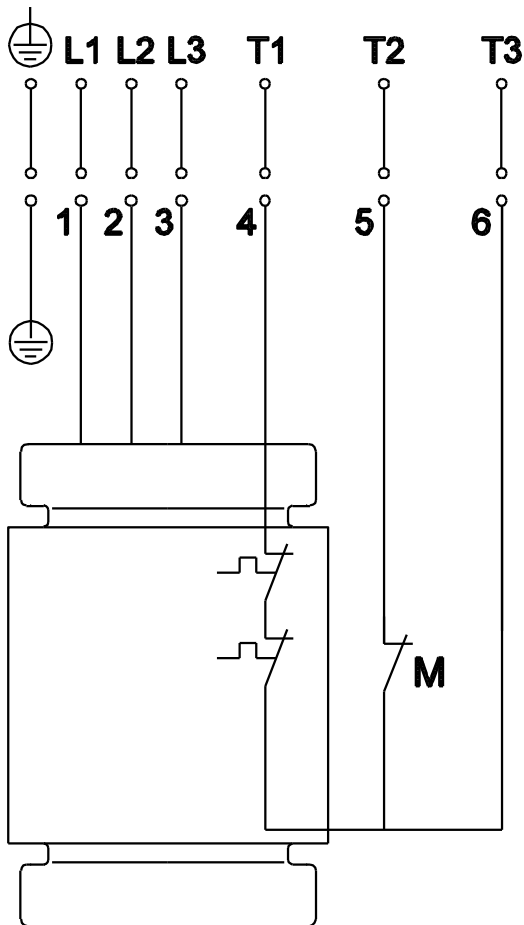
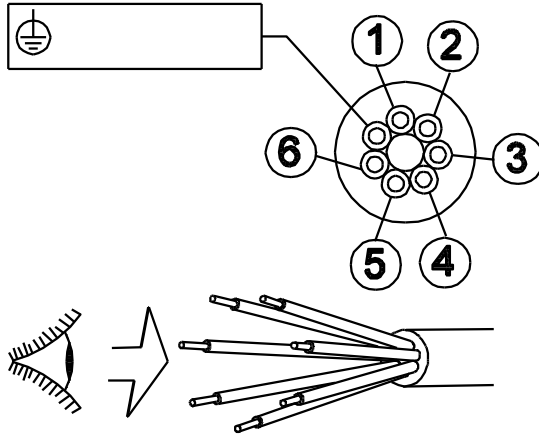
**98626618 SLV.80.100.15.EX.4.50D.C 50 Hz**



Note! All units are in [mm] unless otherwise stated.  
Disclaimer: This simplified dimensional drawing does not show all details.



## 98626618 SLV.80.100.15.EX.4.50D.C 50 Hz



All units are [mm] unless otherwise presented.