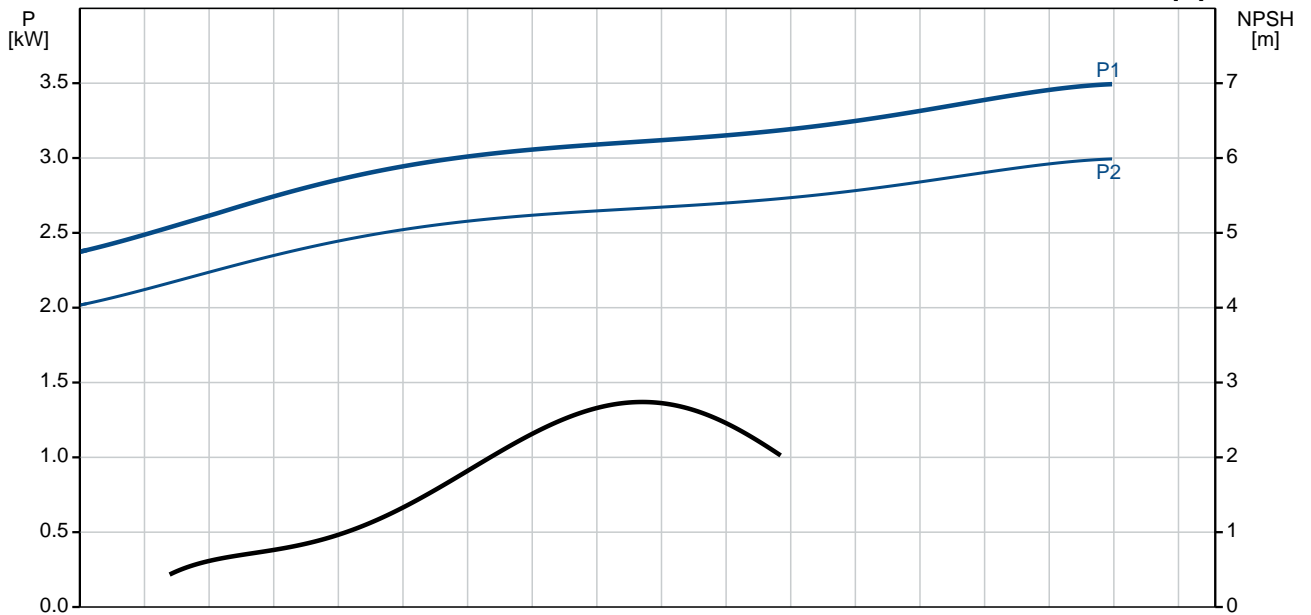
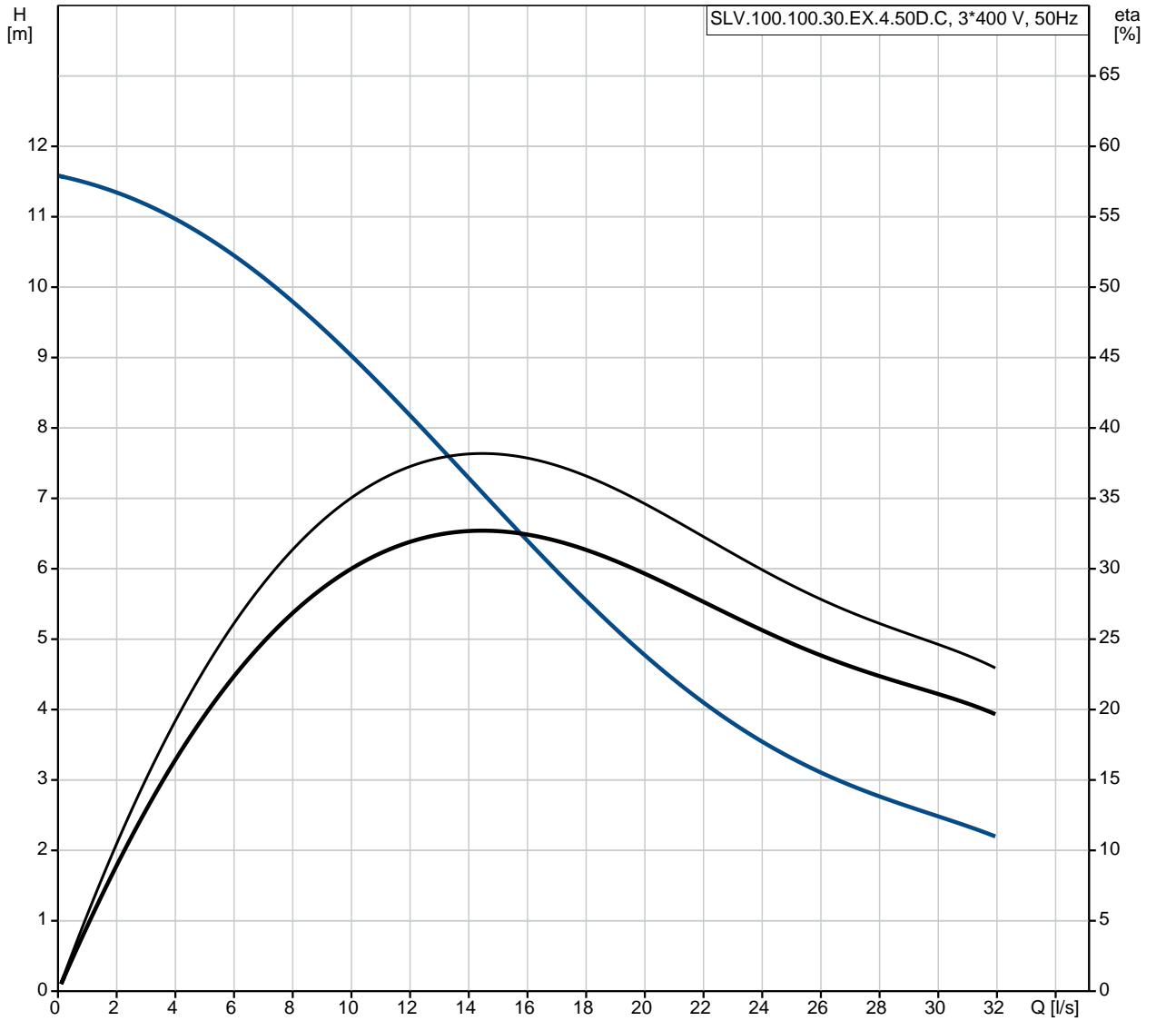


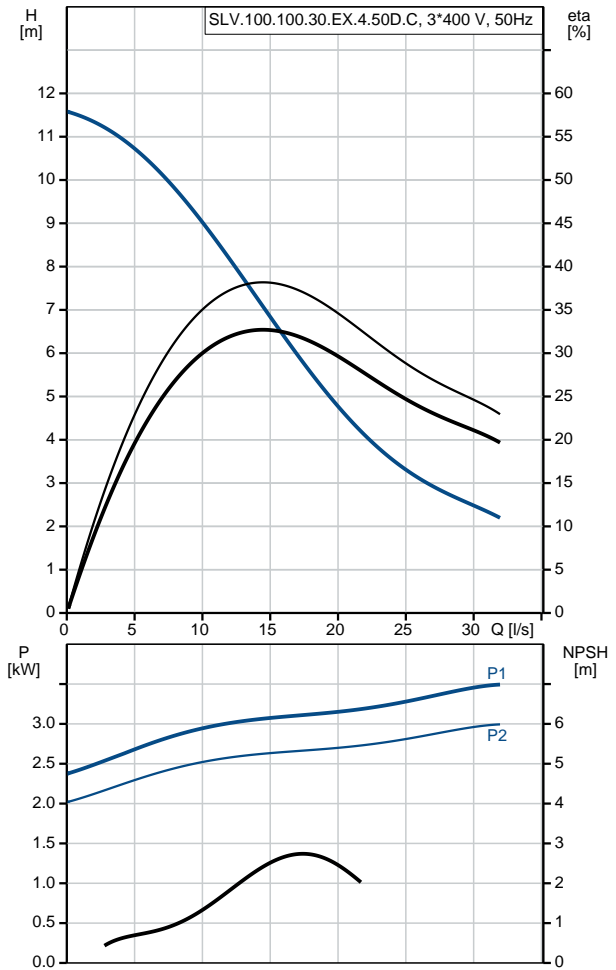
Position	Qty.	Description																																										
	1	<p>SLV.100.100.30.EX.4.50D.C</p>  <p style="text-align: center;">Note! Product picture may differ from actual product</p> <p>Product No.: 98626610</p> <p>Non-self-priming, single-stage, centrifugal pump designed for handling wastewater, process water and unscreened raw sewage.</p> <p>The pump is designed for intermittent and continuous operations in submerged installation. The efficient SuperVortex impeller provides passage of long fibres and solids up to 100 mm and is suitable for wastewater with a dry matter content of up to 5 %.</p> <p>A unique stainless-steel clamp assembling system enables quick and easy disassembly of the pump from the motor unit for service and inspection. No special tools are required. Pipework connection is via a DIN flange.</p> <p>The pump is explosion-proof.</p> <p>Controls:</p> <table> <tr> <td>Moisture sensor:</td> <td>with moisture sensors</td> </tr> <tr> <td>Water-in-oil sensor:</td> <td>without water-in-oil sensor</td> </tr> </table> <p>Liquid:</p> <table> <tr> <td>Pumped liquid:</td> <td>Any Newtonian liquid</td> </tr> <tr> <td>Maximum liquid temperature:</td> <td>40 °C</td> </tr> <tr> <td>Density:</td> <td>998.2 kg/m³</td> </tr> </table> <p>Technical:</p> <table> <tr> <td>Type of impeller:</td> <td>SUPER VORTEX</td> </tr> <tr> <td>Maximum particle size:</td> <td>100 mm</td> </tr> <tr> <td>Primary shaft seal:</td> <td>SIC/SIC</td> </tr> <tr> <td>Secondary shaft seal:</td> <td>CARBON/CERAMICS</td> </tr> <tr> <td>Approvals on nameplate:</td> <td>CE, EN12050-1, ATEX</td> </tr> <tr> <td>Curve tolerance:</td> <td>ISO9906:2012 3B2</td> </tr> </table> <p>Materials:</p> <table> <tr> <td>Pump housing:</td> <td>Cast iron (EN-GJL-250) EN-GJL-250</td> </tr> <tr> <td>Impeller:</td> <td>Cast iron (EN-GJL-250) EN-GJL-250</td> </tr> <tr> <td>Motor:</td> <td>EN-GJL-250</td> </tr> </table> <p>Installation:</p> <table> <tr> <td>Maximum ambient temperature:</td> <td>40 °C</td> </tr> <tr> <td>Flange standard:</td> <td>DIN</td> </tr> <tr> <td>Pump inlet:</td> <td>100</td> </tr> <tr> <td>Pump outlet:</td> <td>100</td> </tr> <tr> <td>Pressure rating:</td> <td>PN 10</td> </tr> <tr> <td>Maximum installation depth:</td> <td>20 m</td> </tr> <tr> <td>Frame range:</td> <td>C</td> </tr> </table>	Moisture sensor:	with moisture sensors	Water-in-oil sensor:	without water-in-oil sensor	Pumped liquid:	Any Newtonian liquid	Maximum liquid temperature:	40 °C	Density:	998.2 kg/m ³	Type of impeller:	SUPER VORTEX	Maximum particle size:	100 mm	Primary shaft seal:	SIC/SIC	Secondary shaft seal:	CARBON/CERAMICS	Approvals on nameplate:	CE, EN12050-1, ATEX	Curve tolerance:	ISO9906:2012 3B2	Pump housing:	Cast iron (EN-GJL-250) EN-GJL-250	Impeller:	Cast iron (EN-GJL-250) EN-GJL-250	Motor:	EN-GJL-250	Maximum ambient temperature:	40 °C	Flange standard:	DIN	Pump inlet:	100	Pump outlet:	100	Pressure rating:	PN 10	Maximum installation depth:	20 m	Frame range:	C
Moisture sensor:	with moisture sensors																																											
Water-in-oil sensor:	without water-in-oil sensor																																											
Pumped liquid:	Any Newtonian liquid																																											
Maximum liquid temperature:	40 °C																																											
Density:	998.2 kg/m ³																																											
Type of impeller:	SUPER VORTEX																																											
Maximum particle size:	100 mm																																											
Primary shaft seal:	SIC/SIC																																											
Secondary shaft seal:	CARBON/CERAMICS																																											
Approvals on nameplate:	CE, EN12050-1, ATEX																																											
Curve tolerance:	ISO9906:2012 3B2																																											
Pump housing:	Cast iron (EN-GJL-250) EN-GJL-250																																											
Impeller:	Cast iron (EN-GJL-250) EN-GJL-250																																											
Motor:	EN-GJL-250																																											
Maximum ambient temperature:	40 °C																																											
Flange standard:	DIN																																											
Pump inlet:	100																																											
Pump outlet:	100																																											
Pressure rating:	PN 10																																											
Maximum installation depth:	20 m																																											
Frame range:	C																																											

Position	Qty.	Description
		<p>Electrical data:</p> <p>Power input - P1: 3.7 kW</p> <p>Rated power - P2: 3 kW</p> <p>Mains frequency: 50 Hz</p> <p>Rated voltage: 3 x 380-415 V</p> <p>Voltage tolerance: +10/-10 %</p> <p>Max starts per. hour: 20</p> <p>Rated current: 8.0-7.0 A</p> <p>Cos phi - power factor: 0.77</p> <p>Cos phi - p.f. at 3/4 load: 0.69</p> <p>Cos phi - p.f. at 1/2 load: 0.57</p> <p>Rated speed: 1453 rpm</p> <p>Motor efficiency at full load: 85.7 %</p> <p>Motor efficiency at 3/4 load: 85.6 %</p> <p>Motor efficiency at 1/2 load: 83.6 %</p> <p>Number of poles: 4</p> <p>Start. method: direct-on-line</p> <p>Enclosure class (IEC 34-5): IP68</p> <p>Insulation class (IEC 85): H</p> <p>Explosion proof: yes</p> <p>Length of cable: 10 m</p> <p>Cable type: LYNIFLEX</p> <p>Others:</p> <p>Net weight: 113 kg</p> <p>Country of origin: HU</p> <p>Custom tariff no.: 84137021</p>

98626610 SLV.100.100.30.EX.4.50D.C 50 Hz



Description	Value
General information:	
Product name:	SLV.100.100.30.EX.4.50D.C
Product No:	98626610
EAN number:	5711498476011
Price:	3.046,00 GBP
Technical:	
Max flow:	31.9 l/s
Head max:	11.6 m
Type of impeller:	SUPER VORTEX
Maximum particle size:	100 mm
Primary shaft seal:	SIC/SIC
Secondary shaft seal:	CARBON/CERAMICS
Approvals on nameplate:	CE, EN12050-1, ATEX
Curve tolerance:	ISO9906:2012 3B2
Cooling jacket:	without cooling jacket
Materials:	
Pump housing:	Cast iron (EN-GJL-250)
	EN-GJL-250
Impeller:	Cast iron (EN-GJL-250)
	EN-GJL-250
Motor:	EN-GJL-250
Installation:	
Maximum ambient temperature:	40 °C
Flange standard:	DIN
Pump inlet:	100
Pump outlet:	100
Pressure rating:	PN 10
Maximum installation depth:	20 m
Inst dry/wet:	SUBMERGED
Installation:	Vertical
Frame range:	C
Liquid:	
Pumped liquid:	Any Newtonian liquid
Maximum liquid temperature:	40 °C
Density:	998.2 kg/m ³
Electrical data:	
Power input - P1:	3.7 kW
Rated power - P2:	3 kW
Mains frequency:	50 Hz
Rated voltage:	3 x 380-415 V
Voltage tolerance:	+10/-10 %
Max starts per. hour:	20
Rated current:	8.0-7.0 A
Cos phi - power factor:	0.77
Cos phi - p.f. at 3/4 load:	0.69
Cos phi - p.f. at 1/2 load:	0.57
Rated speed:	1453 rpm
Motor efficiency at full load:	85.7 %
Motor efficiency at 3/4 load:	85.6 %
Motor efficiency at 1/2 load:	83.6 %
Number of poles:	4
Start. method:	direct-on-line
Enclosure class (IEC 34-5):	IP68
Insulation class (IEC 85):	H
Explosion proof:	yes
Motor protec:	THERMAL SWITCH
Length of cable:	10 m
Cable type:	LYNIFLEX





Company name:

Created by:

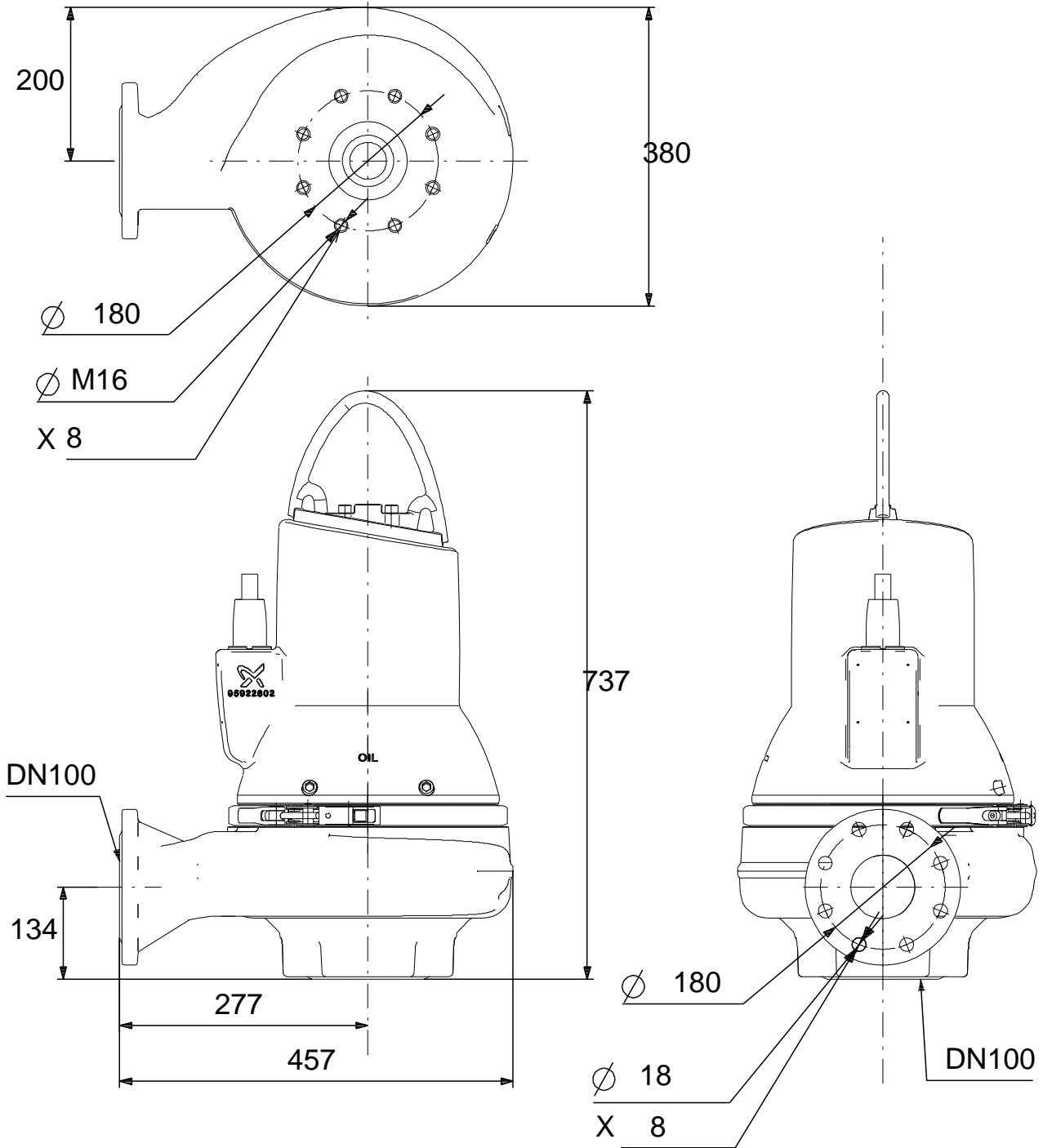
Phone:

Date:

07/12/2018

Description	Value
Controls:	
Control box:	not included
Moisture sensor:	with moisture sensors
Water-in-oil sensor:	without water-in-oil sensor
Others:	
Net weight:	113 kg
Country of origin:	HU
Custom tariff no.:	84137021

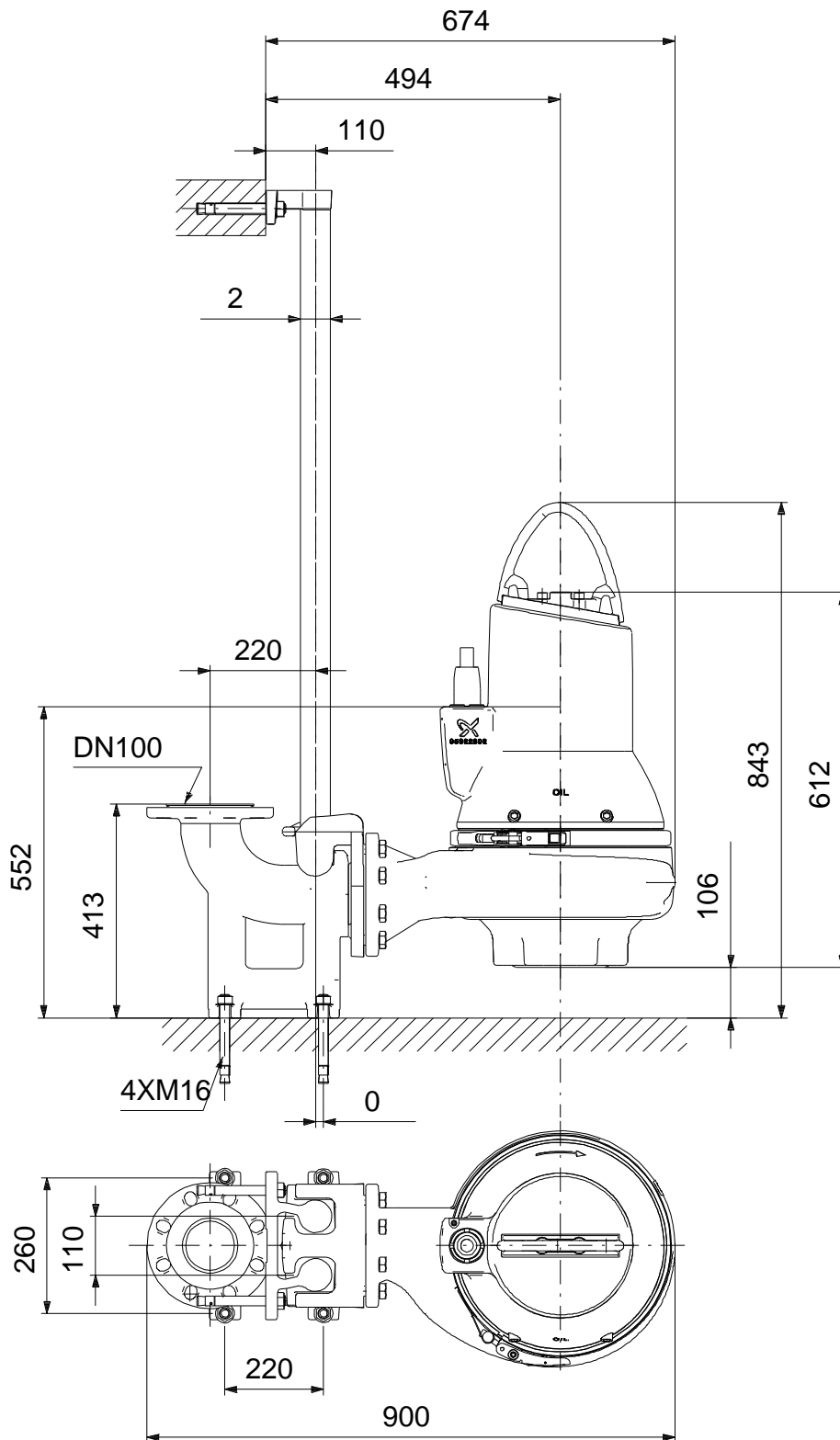
98626610 SLV.100.100.30.EX.4.50D.C 50 Hz



160x160

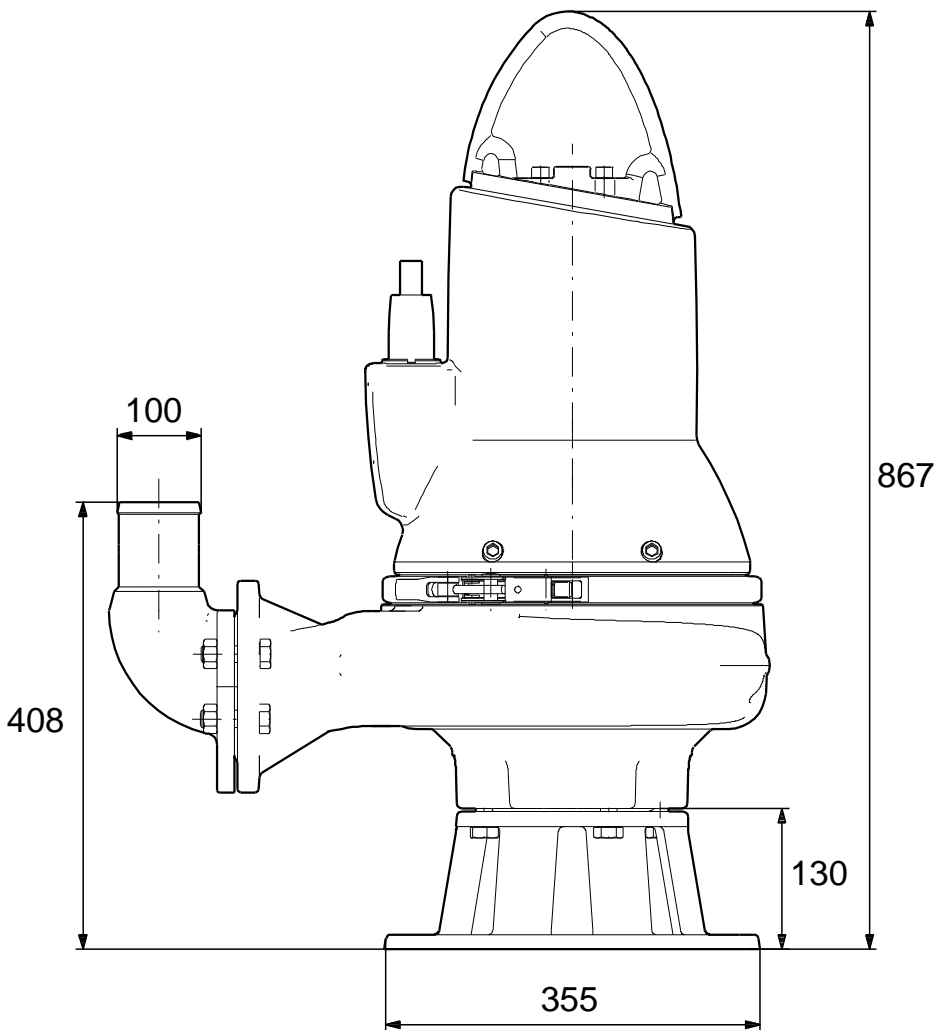
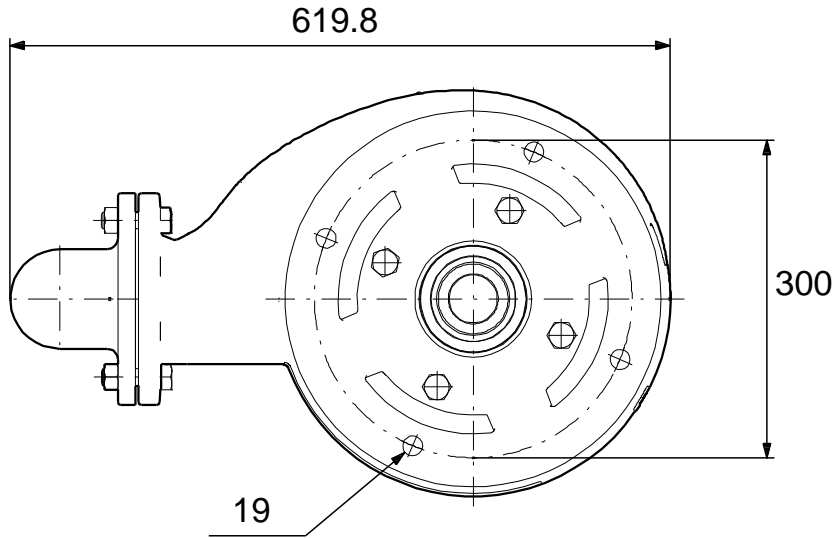
Note! All units are in [mm] unless others are stated.
Disclaimer: This simplified dimensional drawing does not show all details.

98626610 SLV.100.100.30.EX.4.50D.C 50 Hz



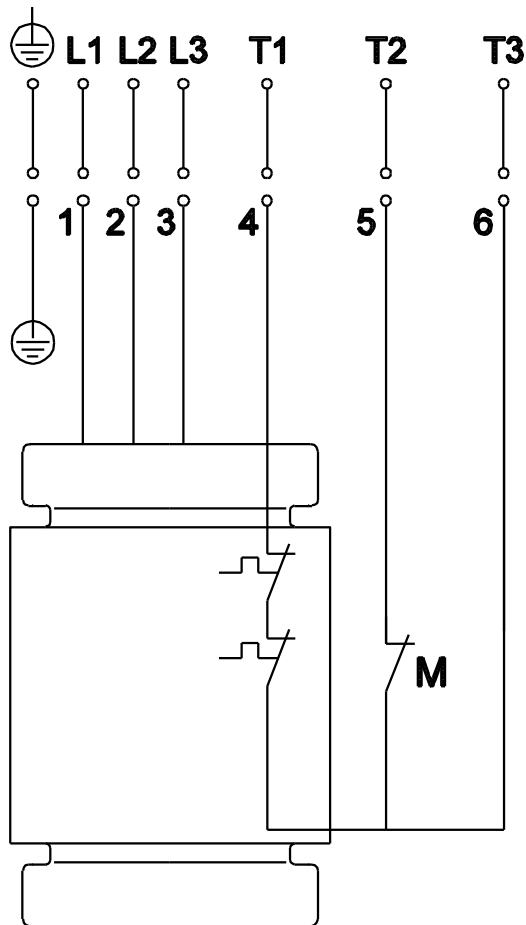
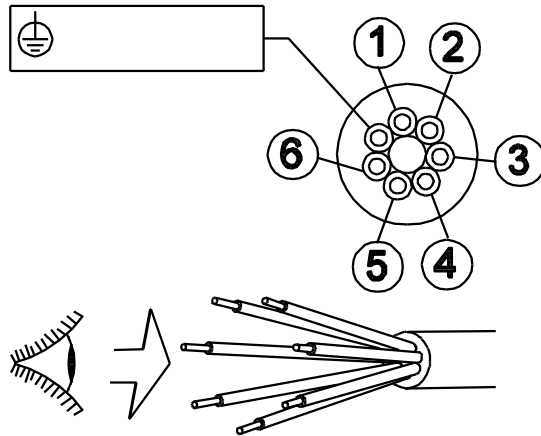
Note! All units are in [mm] unless others are stated.
Disclaimer: This simplified dimensional drawing does not show all details.

98626610 SLV.100.100.30.EX.4.50D.C 50 Hz



Note! All units are in [mm] unless others are stated.
Disclaimer: This simplified dimensional drawing does not show all details.

98626610 SLV.100.100.30.EX.4.50D.C 50 Hz



Note! All units are in [mm] unless others are stated.