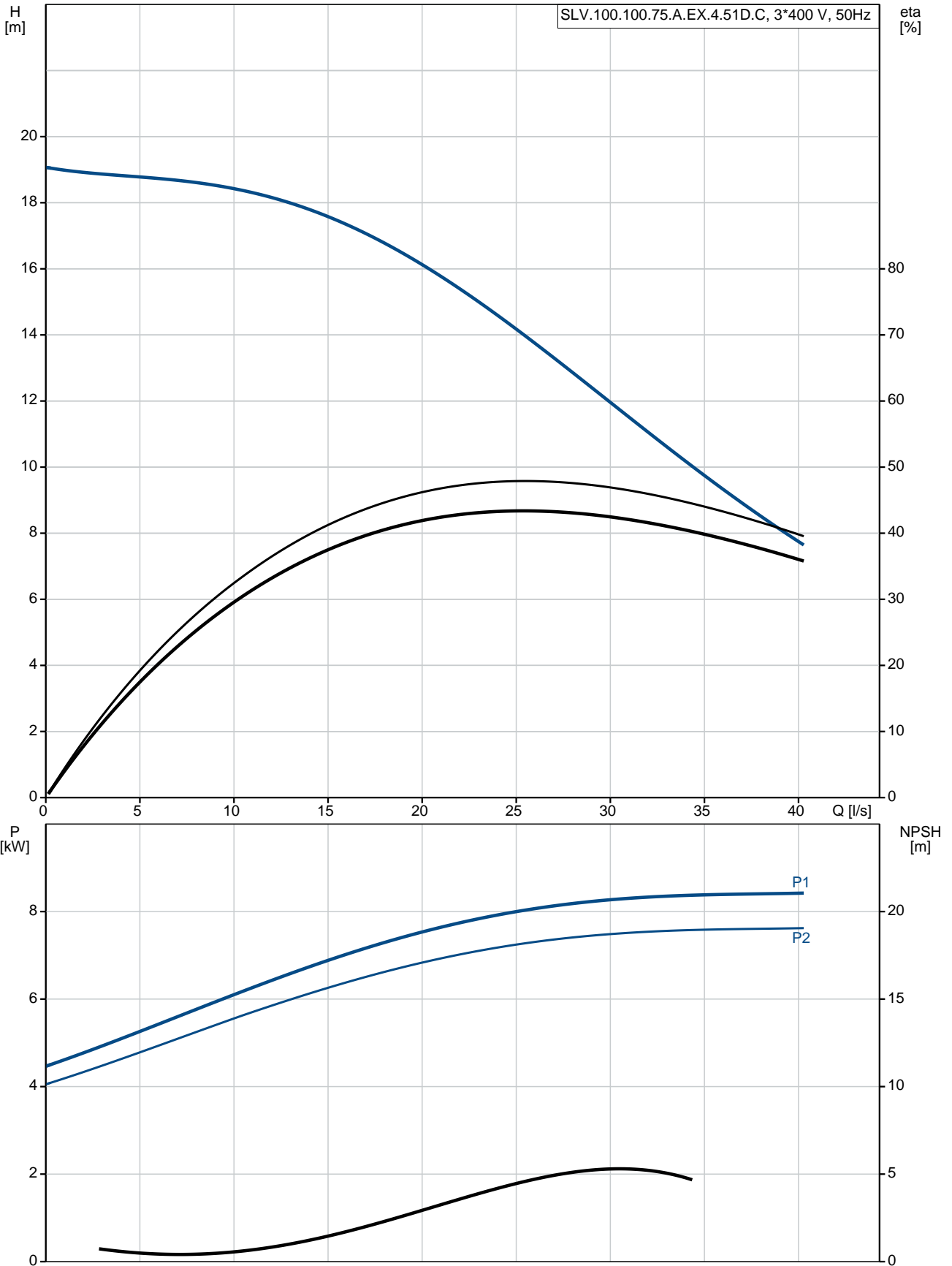


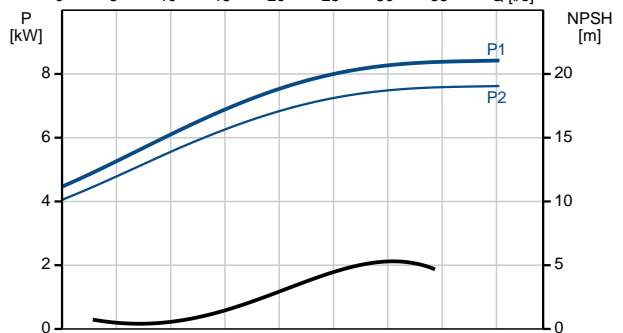
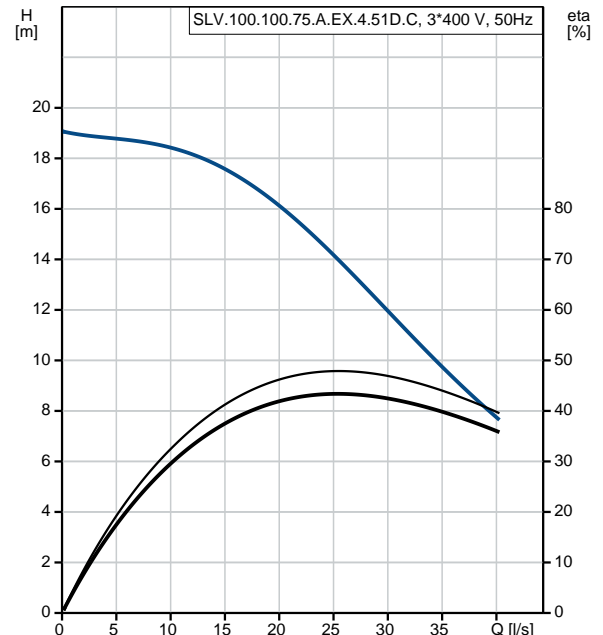
Qty.	Description																																										
1	<p data-bbox="204 342 544 365">SLV.100.100.75.A.EX.4.51D.C</p> <div data-bbox="209 477 576 696" data-label="Image"> </div> <p data-bbox="592 770 1075 792" style="text-align: center;">Note! Product picture may differ from actual product</p> <p data-bbox="204 801 467 824">Product No.: 98626475</p> <p data-bbox="204 862 1461 913">Non-self-priming, single-stage, centrifugal pump designed for handling wastewater, process water and unscreened raw sewage.</p> <p data-bbox="204 920 1461 994">The pump is designed for intermittent and continuous operations in submerged installation. The efficient SuperVortex impeller provides passage of long fibres and solids up to 100 mm and is suitable for wastewater with a dry matter content of up to 5 %.</p> <p data-bbox="204 1005 1401 1057">A unique stainless-steel clamp assembling system enables quick and easy disassembly of the pump from the motor unit for service and inspection. No special tools are required. Pipework connection is via a DIN flange.</p> <p data-bbox="204 1064 523 1086">The pump is explosion-proof.</p> <p data-bbox="204 1122 316 1144">Controls:</p> <table data-bbox="204 1151 820 1209"> <tr> <td>Moisture sensor:</td> <td>with moisture sensors</td> </tr> <tr> <td>Water-in-oil sensor:</td> <td>with water-in-oil sensor</td> </tr> </table> <p data-bbox="204 1240 288 1263">Liquid:</p> <table data-bbox="204 1270 799 1359"> <tr> <td>Pumped liquid:</td> <td>Any Newtonian liquid</td> </tr> <tr> <td>Maximum liquid temperature:</td> <td>40 °C</td> </tr> <tr> <td>Density:</td> <td>998.2 kg/m³</td> </tr> </table> <p data-bbox="204 1391 328 1413">Technical:</p> <table data-bbox="204 1420 820 1597"> <tr> <td>Type of impeller:</td> <td>SUPER VORTEX</td> </tr> <tr> <td>Maximum particle size:</td> <td>100 mm</td> </tr> <tr> <td>Primary shaft seal:</td> <td>SIC/SIC</td> </tr> <tr> <td>Secondary shaft seal:</td> <td>CARBON/CERAMICS</td> </tr> <tr> <td>Approvals on nameplate:</td> <td>CE, EN12050-1, ATEX</td> </tr> <tr> <td>Curve tolerance:</td> <td>ISO9906:2012 3B2</td> </tr> </table> <p data-bbox="204 1628 320 1650">Materials:</p> <table data-bbox="204 1657 828 1805"> <tr> <td>Pump housing:</td> <td>Cast iron (EN-GJL-250) EN-GJL-250</td> </tr> <tr> <td>Impeller:</td> <td>Cast iron (EN-GJL-250) EN-GJL-250</td> </tr> <tr> <td>Motor:</td> <td>EN-GJL-250</td> </tr> </table> <p data-bbox="204 1836 344 1859">Installation:</p> <table data-bbox="204 1865 635 2074"> <tr> <td>Maximum ambient temperature:</td> <td>40 °C</td> </tr> <tr> <td>Flange standard:</td> <td>DIN</td> </tr> <tr> <td>Pump inlet:</td> <td>100</td> </tr> <tr> <td>Pump outlet:</td> <td>100</td> </tr> <tr> <td>Pressure rating:</td> <td>PN 10</td> </tr> <tr> <td>Maximum installation depth:</td> <td>20 m</td> </tr> <tr> <td>Frame range:</td> <td>D</td> </tr> </table>	Moisture sensor:	with moisture sensors	Water-in-oil sensor:	with water-in-oil sensor	Pumped liquid:	Any Newtonian liquid	Maximum liquid temperature:	40 °C	Density:	998.2 kg/m ³	Type of impeller:	SUPER VORTEX	Maximum particle size:	100 mm	Primary shaft seal:	SIC/SIC	Secondary shaft seal:	CARBON/CERAMICS	Approvals on nameplate:	CE, EN12050-1, ATEX	Curve tolerance:	ISO9906:2012 3B2	Pump housing:	Cast iron (EN-GJL-250) EN-GJL-250	Impeller:	Cast iron (EN-GJL-250) EN-GJL-250	Motor:	EN-GJL-250	Maximum ambient temperature:	40 °C	Flange standard:	DIN	Pump inlet:	100	Pump outlet:	100	Pressure rating:	PN 10	Maximum installation depth:	20 m	Frame range:	D
Moisture sensor:	with moisture sensors																																										
Water-in-oil sensor:	with water-in-oil sensor																																										
Pumped liquid:	Any Newtonian liquid																																										
Maximum liquid temperature:	40 °C																																										
Density:	998.2 kg/m ³																																										
Type of impeller:	SUPER VORTEX																																										
Maximum particle size:	100 mm																																										
Primary shaft seal:	SIC/SIC																																										
Secondary shaft seal:	CARBON/CERAMICS																																										
Approvals on nameplate:	CE, EN12050-1, ATEX																																										
Curve tolerance:	ISO9906:2012 3B2																																										
Pump housing:	Cast iron (EN-GJL-250) EN-GJL-250																																										
Impeller:	Cast iron (EN-GJL-250) EN-GJL-250																																										
Motor:	EN-GJL-250																																										
Maximum ambient temperature:	40 °C																																										
Flange standard:	DIN																																										
Pump inlet:	100																																										
Pump outlet:	100																																										
Pressure rating:	PN 10																																										
Maximum installation depth:	20 m																																										
Frame range:	D																																										

Qty.	Description
	<p>Electrical data:</p> <p>Power input - P1: 8.4 kW</p> <p>Rated power - P2: 7.5 kW</p> <p>Mains frequency: 50 Hz</p> <p>Rated voltage: 3 x 380-415 V</p> <p>Voltage tolerance: +10/-10 %</p> <p>Max starts per. hour: 20</p> <p>Rated current: 15.1-14.4 A</p> <p>Starting current: 111 A</p> <p>Cos phi - power factor: 0.83</p> <p>Cos phi - p.f. at 3/4 load: 0.78</p> <p>Cos phi - p.f. at 1/2 load: 0.68</p> <p>Rated speed: 1462 rpm</p> <p>Motor efficiency at full load: 90.5 %</p> <p>Motor efficiency at 3/4 load: 91.1 %</p> <p>Motor efficiency at 1/2 load: 90.7 %</p> <p>Number of poles: 4</p> <p>Start. method: star/delta</p> <p>Enclosure class (IEC 34-5): IP68</p> <p>Insulation class (IEC 85): H</p> <p>Explosion proof: yes</p> <p>Length of cable: 10 m</p> <p>Cable type: LYNIFLEX</p> <p>Others:</p> <p>Net weight: 171 kg</p> <p>Country of origin: HU</p> <p>Custom tariff no.: 84137021</p>

98626475 SLV.100.100.75.A.EX.4.51D.C 50 Hz



Description	Value
General information:	
Product name:	SLV.100.100.75.A.EX.4.51D.C
Product No:	98626475
EAN number:	5711498473331
Price:	5.575,00 GBP
Technical:	
Max flow:	40.3 l/s
Head max:	19.9 m
Type of impeller:	SUPER VORTEX
Maximum particle size:	100 mm
Primary shaft seal:	SIC/SIC
Secondary shaft seal:	CARBON/CERAMICS
Approvals on nameplate:	CE, EN12050-1, ATEX
Curve tolerance:	ISO9906:2012 3B2
Cooling jacket:	without cooling jacket
Materials:	
Pump housing:	Cast iron (EN-GJL-250) EN-GJL-250
Impeller:	Cast iron (EN-GJL-250) EN-GJL-250
Motor:	EN-GJL-250
Installation:	
Maximum ambient temperature:	40 °C
Flange standard:	DIN
Pump inlet:	100
Pump outlet:	100
Pressure rating:	PN 10
Maximum installation depth:	20 m
Inst dry/wet:	SUBMERGED
Installation:	Vertical
Frame range:	D
Liquid:	
Pumped liquid:	Any Newtonian liquid
Maximum liquid temperature:	40 °C
Density:	998.2 kg/m ³
Electrical data:	
Power input - P1:	8.4 kW
Rated power - P2:	7.5 kW
Mains frequency:	50 Hz
Rated voltage:	3 x 380-415 V
Voltage tolerance:	+10/-10 %
Max starts per. hour:	20
Rated current:	15.1-14.4 A
Starting current:	111 A
Cos phi - power factor:	0.83
Cos phi - p.f. at 3/4 load:	0.78
Cos phi - p.f. at 1/2 load:	0.68
Rated speed:	1462 rpm
Motor efficiency at full load:	90.5 %
Motor efficiency at 3/4 load:	91.1 %
Motor efficiency at 1/2 load:	90.7 %
Number of poles:	4
Start. method:	star/delta
Enclosure class (IEC 34-5):	IP68
Insulation class (IEC 85):	H
Explosion proof:	yes
Motor protec:	Pt1000
Length of cable:	10 m





Company name:

Created by:

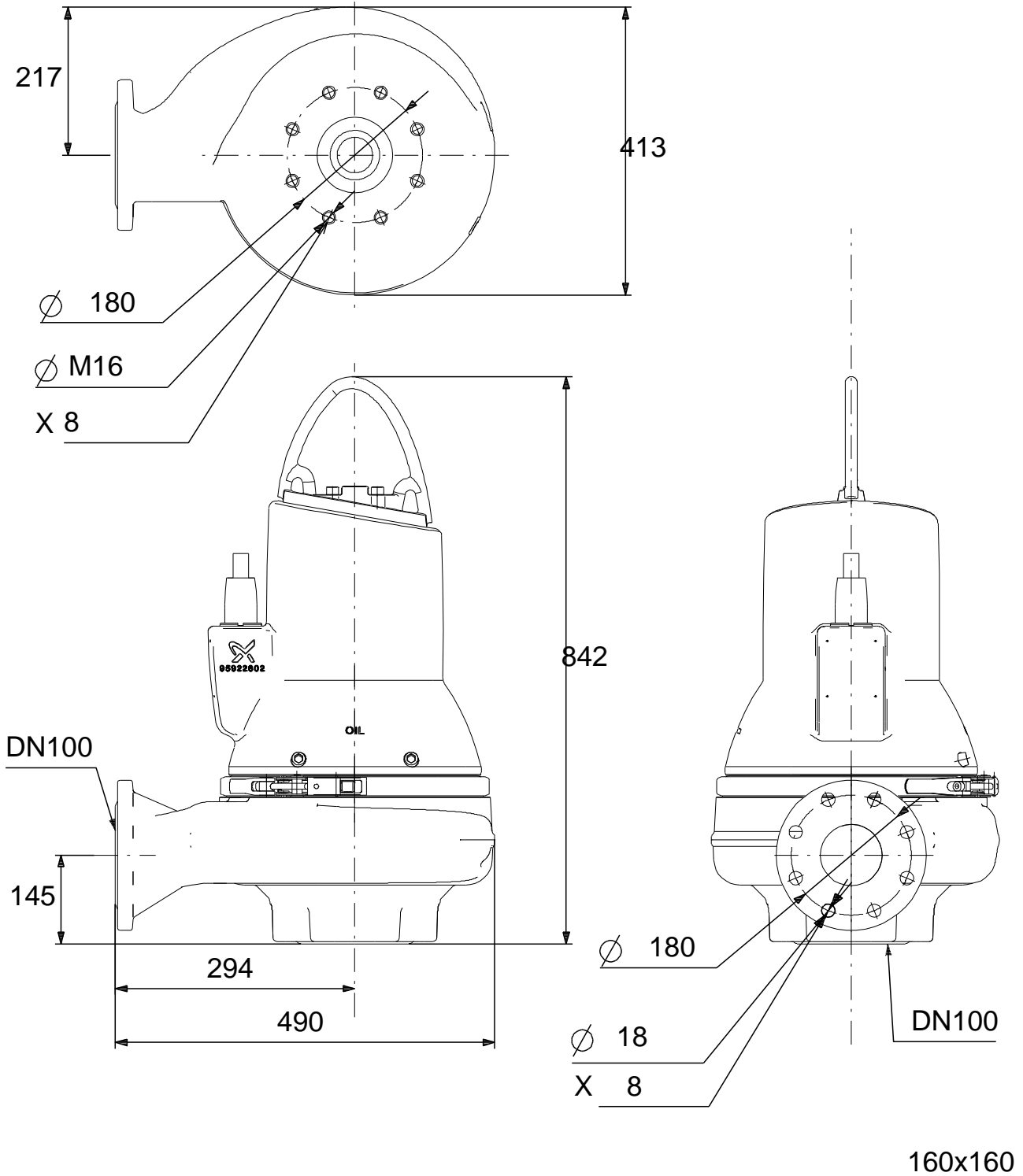
Phone:

Date:

07/12/2018

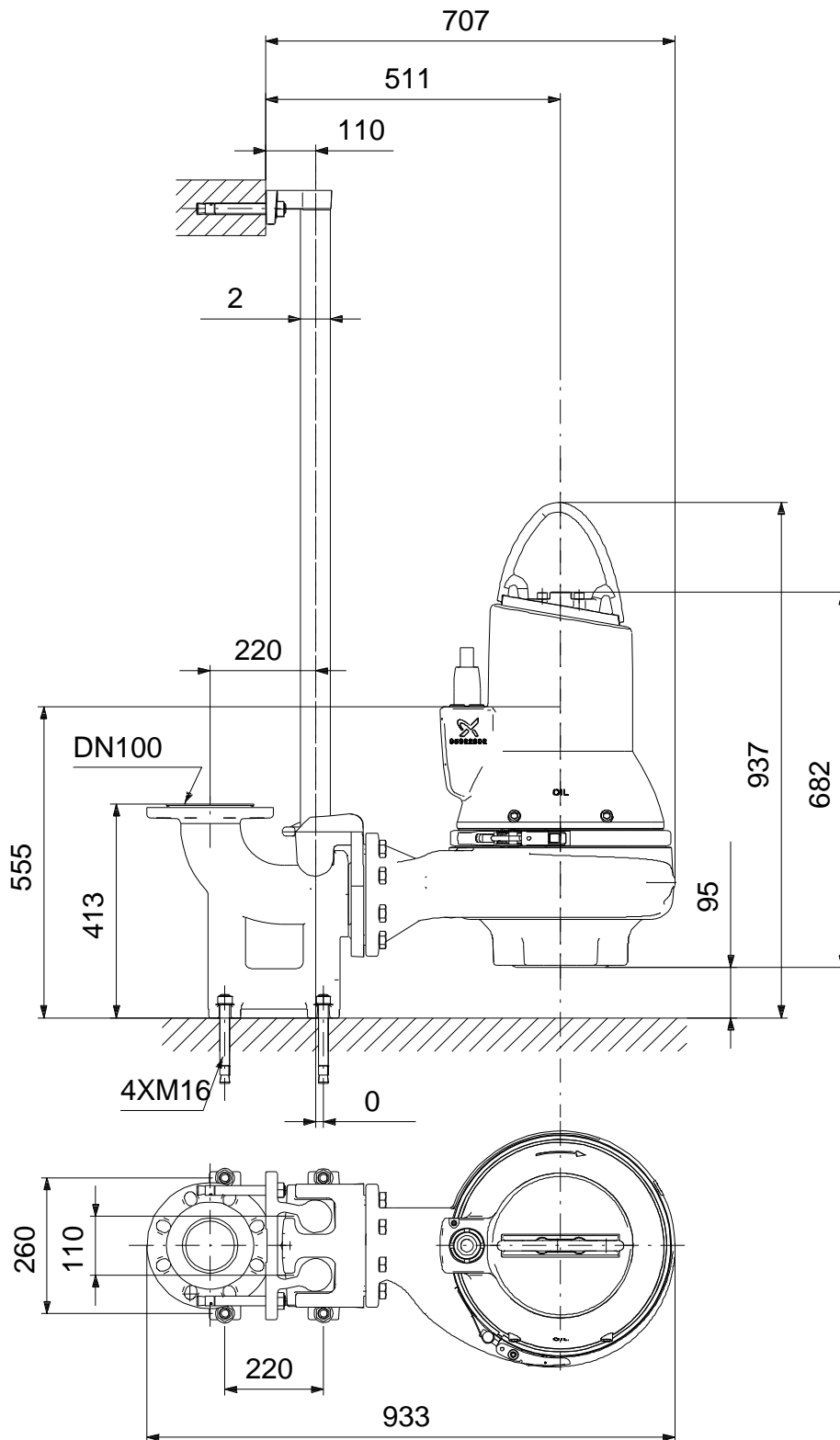
Description	Value
Cable type:	LYNIFLEX
Controls:	
Control box:	not included
Moisture sensor:	with moisture sensors
Water-in-oil sensor:	with water-in-oil sensor
Others:	
Net weight:	171 kg
Country of origin:	HU
Custom tariff no.:	84137021

98626475 SLV.100.100.75.A.EX.4.51D.C 50 Hz



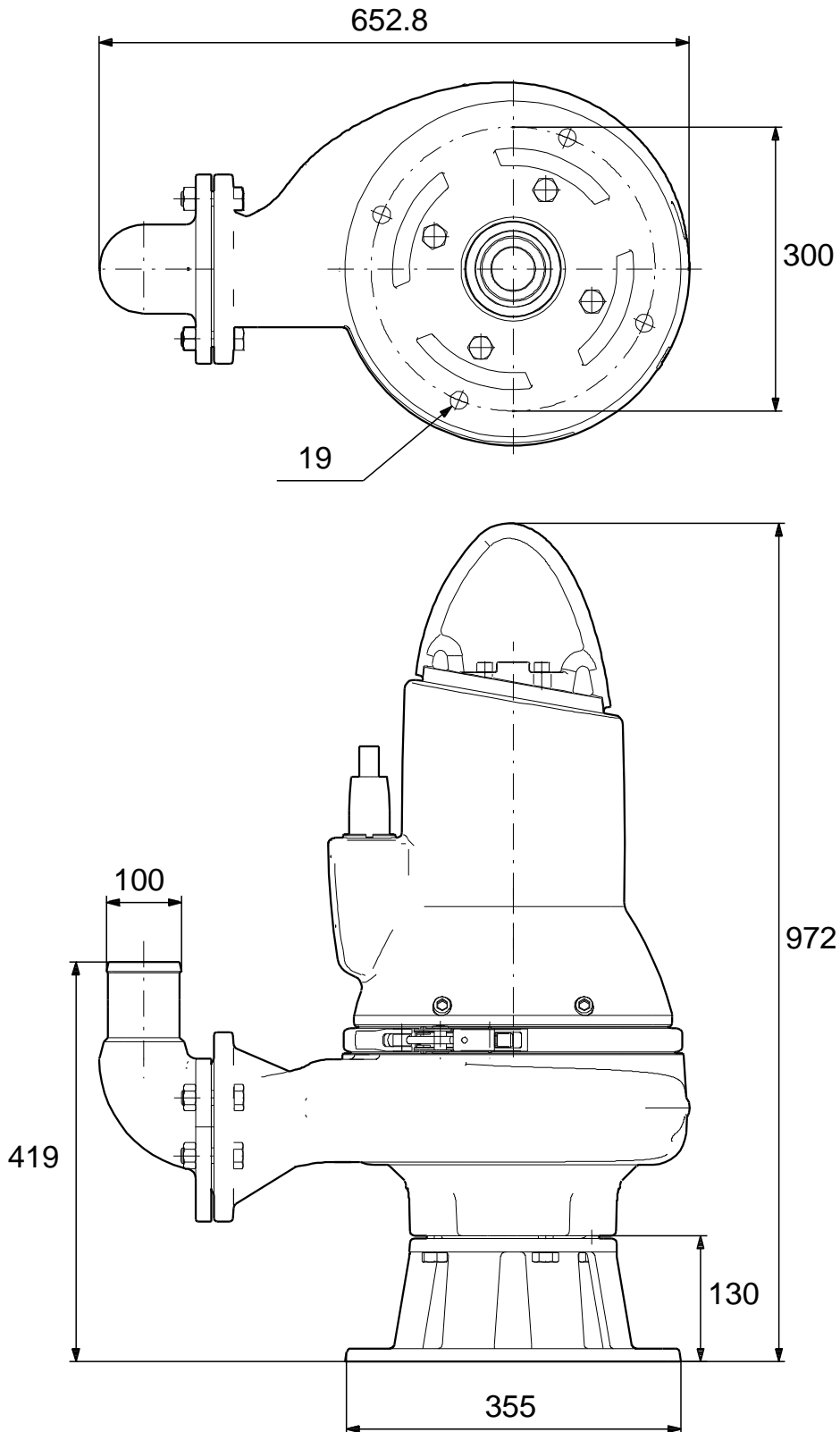
Note! All units are in [mm] unless others are stated.
 Disclaimer: This simplified dimensional drawing does not show all details.

98626475 SLV.100.100.75.A.EX.4.51D.C 50 Hz



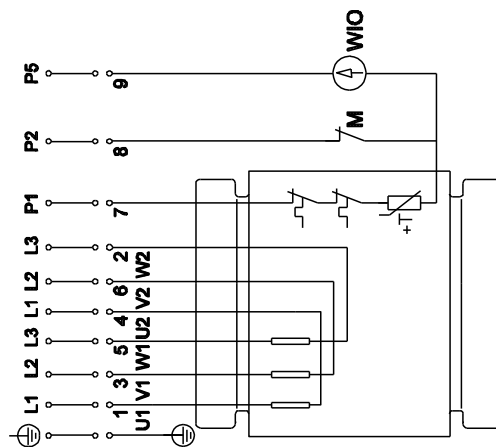
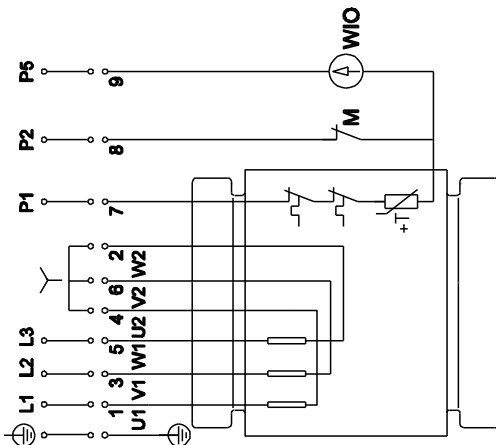
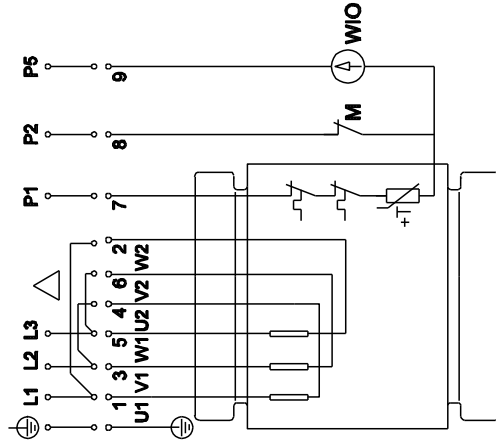
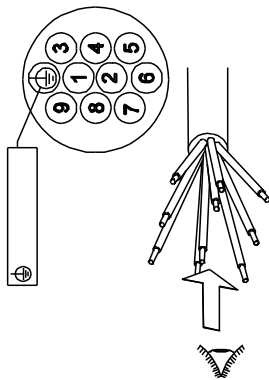
Note! All units are in [mm] unless others are stated.
Disclaimer: This simplified dimensional drawing does not show all details.

98626475 SLV.100.100.75.A.EX.4.51D.C 50 Hz



Note! All units are in [mm] unless others are stated.
Disclaimer: This simplified dimensional drawing does not show all details.

98626475 SLV.100.100.75.A.EX.4.51D.C 50 Hz



Note! All units are in [mm] unless others are stated.