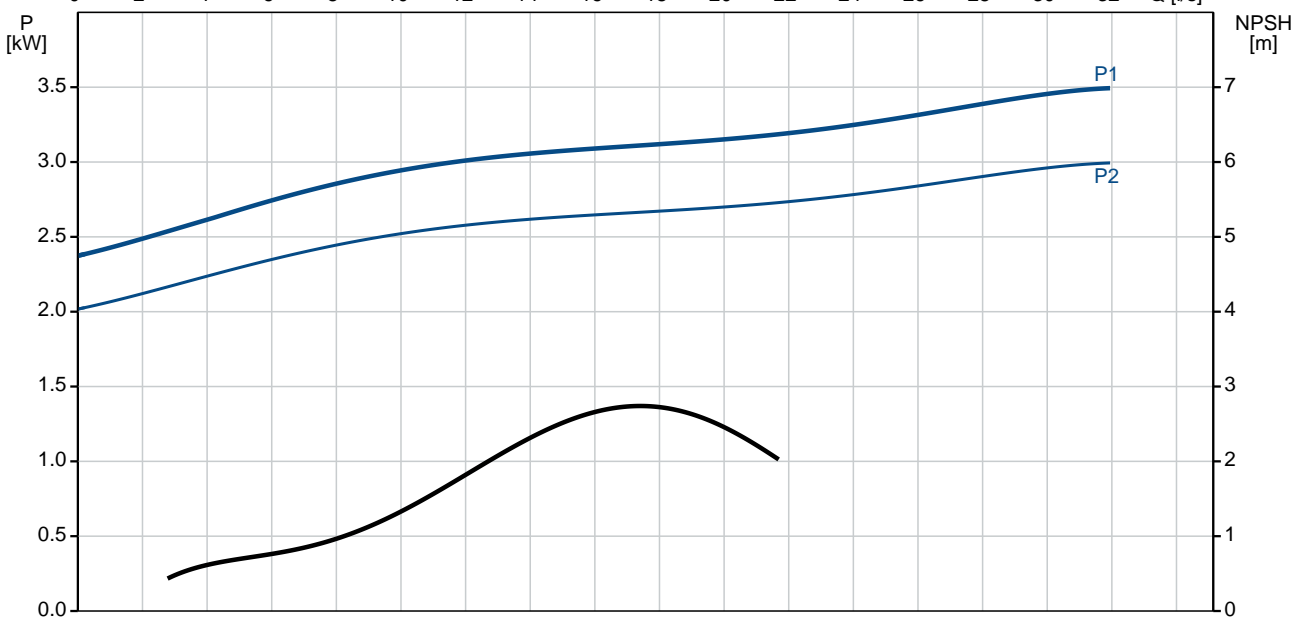
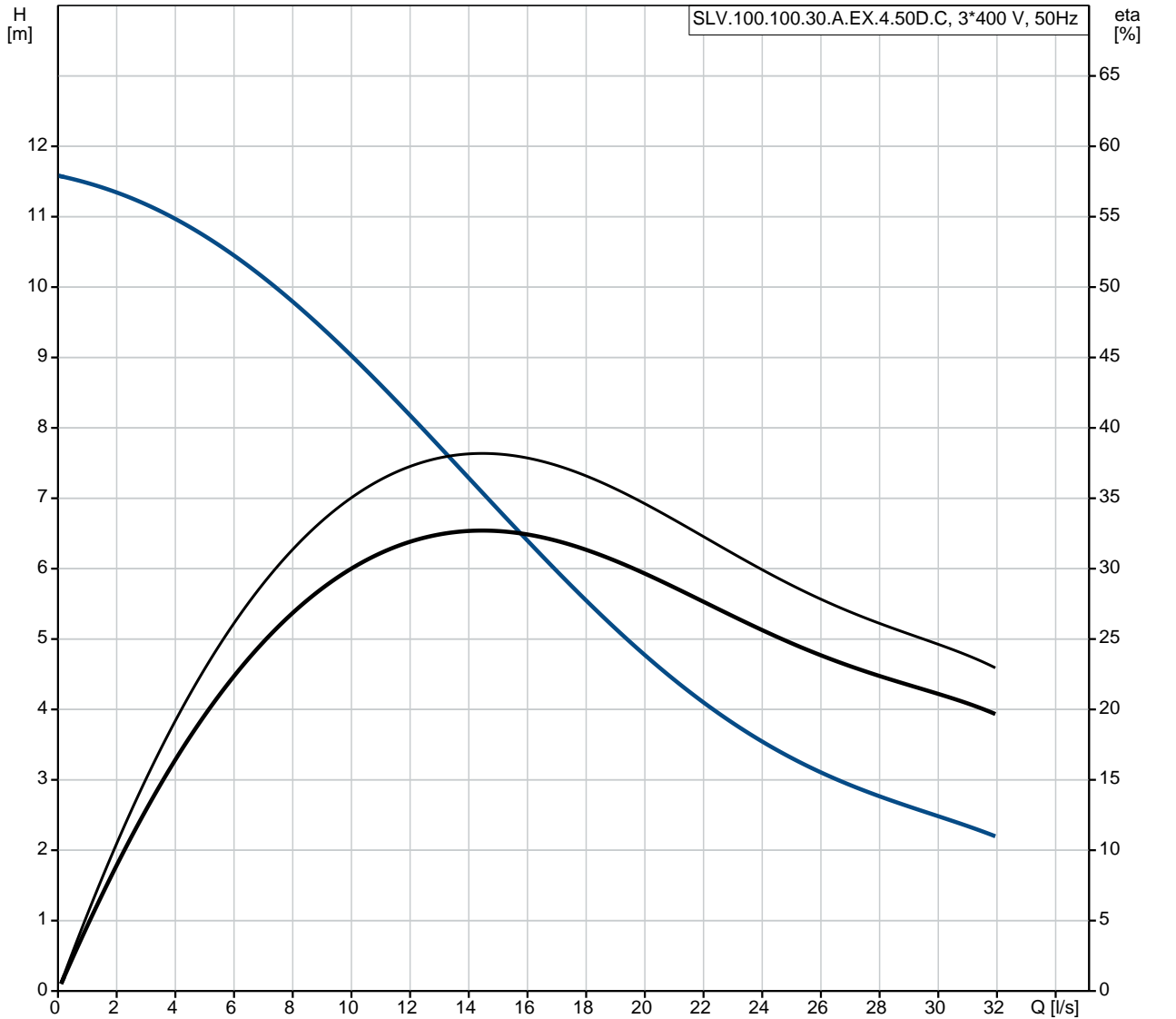


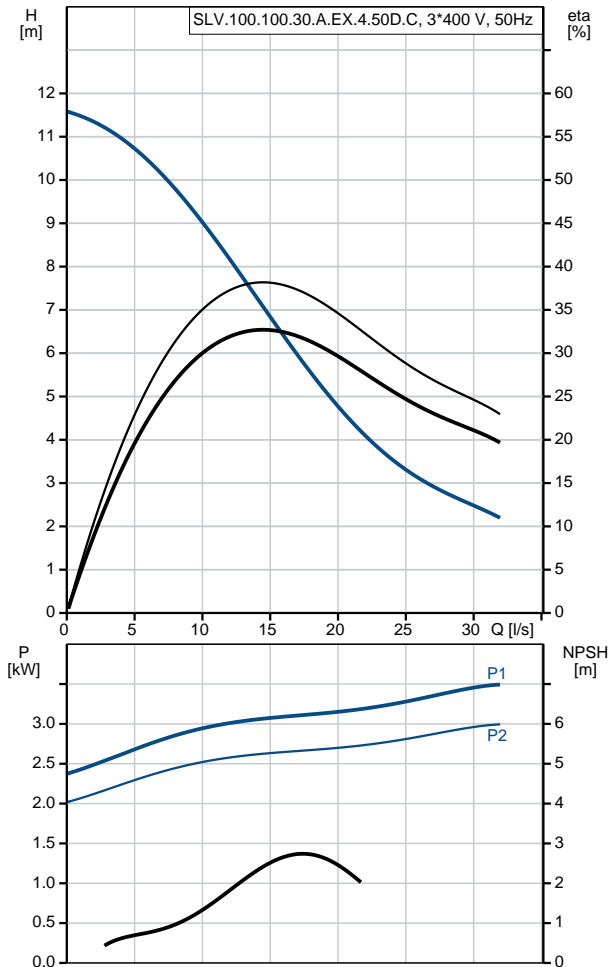
| Position | Qty. | Description | | | | | | | | | | | | | | | | | | | | | | | | | | | | | | | | | | | | | | | | | | |
|------------------------------|--------------------------------------|---|------------------|-----------------------|----------------------|--------------------------|----------------|----------------------|-----------------------------|-------|----------|-------------------------|-------------------|--------------|------------------------|--------|---------------------|---------|-----------------------|-----------------|-------------------------|---------------------|------------------|------------------|---------------|--------------------------------------|-----------|--------------------------------------|--------|------------|------------------------------|-------|------------------|-----|-------------|-----|--------------|-----|------------------|-------|-----------------------------|------|--------------|---|
| | 1 | <p>SLV.100.100.30.A.EX.4.50D.C</p>  <p style="text-align: center;">Note! Product picture may differ from actual product</p> <p>Product No.: 98626394</p> <p>Non-self-priming, single-stage, centrifugal pump designed for handling wastewater, process water and unscreened raw sewage.</p> <p>The pump is designed for intermittent and continuous operations in submerged installation. The efficient SuperVortex impeller provides passage of long fibres and solids up to 100 mm and is suitable for wastewater with a dry matter content of up to 5 %.</p> <p>A unique stainless-steel clamp assembling system enables quick and easy disassembly of the pump from the motor unit for service and inspection. No special tools are required. Pipework connection is via a DIN flange.</p> <p>The pump is explosion-proof.</p> <p>Controls:</p> <table> <tr> <td>Moisture sensor:</td> <td>with moisture sensors</td> </tr> <tr> <td>Water-in-oil sensor:</td> <td>with water-in-oil sensor</td> </tr> </table> <p>Liquid:</p> <table> <tr> <td>Pumped liquid:</td> <td>Any Newtonian liquid</td> </tr> <tr> <td>Maximum liquid temperature:</td> <td>40 °C</td> </tr> <tr> <td>Density:</td> <td>998.2 kg/m³</td> </tr> </table> <p>Technical:</p> <table> <tr> <td>Type of impeller:</td> <td>SUPER VORTEX</td> </tr> <tr> <td>Maximum particle size:</td> <td>100 mm</td> </tr> <tr> <td>Primary shaft seal:</td> <td>SIC/SIC</td> </tr> <tr> <td>Secondary shaft seal:</td> <td>CARBON/CERAMICS</td> </tr> <tr> <td>Approvals on nameplate:</td> <td>CE, EN12050-1, ATEX</td> </tr> <tr> <td>Curve tolerance:</td> <td>ISO9906:2012 3B2</td> </tr> </table> <p>Materials:</p> <table> <tr> <td>Pump housing:</td> <td>Cast iron (EN-GJL-250) EN-GJL-250</td> </tr> <tr> <td>Impeller:</td> <td>Cast iron (EN-GJL-250) EN-GJL-250</td> </tr> <tr> <td>Motor:</td> <td>EN-GJL-250</td> </tr> </table> <p>Installation:</p> <table> <tr> <td>Maximum ambient temperature:</td> <td>40 °C</td> </tr> <tr> <td>Flange standard:</td> <td>DIN</td> </tr> <tr> <td>Pump inlet:</td> <td>100</td> </tr> <tr> <td>Pump outlet:</td> <td>100</td> </tr> <tr> <td>Pressure rating:</td> <td>PN 10</td> </tr> <tr> <td>Maximum installation depth:</td> <td>20 m</td> </tr> <tr> <td>Frame range:</td> <td>C</td> </tr> </table> | Moisture sensor: | with moisture sensors | Water-in-oil sensor: | with water-in-oil sensor | Pumped liquid: | Any Newtonian liquid | Maximum liquid temperature: | 40 °C | Density: | 998.2 kg/m ³ | Type of impeller: | SUPER VORTEX | Maximum particle size: | 100 mm | Primary shaft seal: | SIC/SIC | Secondary shaft seal: | CARBON/CERAMICS | Approvals on nameplate: | CE, EN12050-1, ATEX | Curve tolerance: | ISO9906:2012 3B2 | Pump housing: | Cast iron (EN-GJL-250) EN-GJL-250 | Impeller: | Cast iron (EN-GJL-250) EN-GJL-250 | Motor: | EN-GJL-250 | Maximum ambient temperature: | 40 °C | Flange standard: | DIN | Pump inlet: | 100 | Pump outlet: | 100 | Pressure rating: | PN 10 | Maximum installation depth: | 20 m | Frame range: | C |
| Moisture sensor: | with moisture sensors | | | | | | | | | | | | | | | | | | | | | | | | | | | | | | | | | | | | | | | | | | | |
| Water-in-oil sensor: | with water-in-oil sensor | | | | | | | | | | | | | | | | | | | | | | | | | | | | | | | | | | | | | | | | | | | |
| Pumped liquid: | Any Newtonian liquid | | | | | | | | | | | | | | | | | | | | | | | | | | | | | | | | | | | | | | | | | | | |
| Maximum liquid temperature: | 40 °C | | | | | | | | | | | | | | | | | | | | | | | | | | | | | | | | | | | | | | | | | | | |
| Density: | 998.2 kg/m ³ | | | | | | | | | | | | | | | | | | | | | | | | | | | | | | | | | | | | | | | | | | | |
| Type of impeller: | SUPER VORTEX | | | | | | | | | | | | | | | | | | | | | | | | | | | | | | | | | | | | | | | | | | | |
| Maximum particle size: | 100 mm | | | | | | | | | | | | | | | | | | | | | | | | | | | | | | | | | | | | | | | | | | | |
| Primary shaft seal: | SIC/SIC | | | | | | | | | | | | | | | | | | | | | | | | | | | | | | | | | | | | | | | | | | | |
| Secondary shaft seal: | CARBON/CERAMICS | | | | | | | | | | | | | | | | | | | | | | | | | | | | | | | | | | | | | | | | | | | |
| Approvals on nameplate: | CE, EN12050-1, ATEX | | | | | | | | | | | | | | | | | | | | | | | | | | | | | | | | | | | | | | | | | | | |
| Curve tolerance: | ISO9906:2012 3B2 | | | | | | | | | | | | | | | | | | | | | | | | | | | | | | | | | | | | | | | | | | | |
| Pump housing: | Cast iron (EN-GJL-250) EN-GJL-250 | | | | | | | | | | | | | | | | | | | | | | | | | | | | | | | | | | | | | | | | | | | |
| Impeller: | Cast iron (EN-GJL-250) EN-GJL-250 | | | | | | | | | | | | | | | | | | | | | | | | | | | | | | | | | | | | | | | | | | | |
| Motor: | EN-GJL-250 | | | | | | | | | | | | | | | | | | | | | | | | | | | | | | | | | | | | | | | | | | | |
| Maximum ambient temperature: | 40 °C | | | | | | | | | | | | | | | | | | | | | | | | | | | | | | | | | | | | | | | | | | | |
| Flange standard: | DIN | | | | | | | | | | | | | | | | | | | | | | | | | | | | | | | | | | | | | | | | | | | |
| Pump inlet: | 100 | | | | | | | | | | | | | | | | | | | | | | | | | | | | | | | | | | | | | | | | | | | |
| Pump outlet: | 100 | | | | | | | | | | | | | | | | | | | | | | | | | | | | | | | | | | | | | | | | | | | |
| Pressure rating: | PN 10 | | | | | | | | | | | | | | | | | | | | | | | | | | | | | | | | | | | | | | | | | | | |
| Maximum installation depth: | 20 m | | | | | | | | | | | | | | | | | | | | | | | | | | | | | | | | | | | | | | | | | | | |
| Frame range: | C | | | | | | | | | | | | | | | | | | | | | | | | | | | | | | | | | | | | | | | | | | | |

| Position | Qty. | Description |
|----------|------|--|
| | | <p>Electrical data:</p> <p>Power input - P1: 3.7 kW</p> <p>Rated power - P2: 3 kW</p> <p>Mains frequency: 50 Hz</p> <p>Rated voltage: 3 x 380-415 V</p> <p>Voltage tolerance: +10/-10 %</p> <p>Max starts per. hour: 20</p> <p>Rated current: 8.0-7.0 A</p> <p>Cos phi - power factor: 0.77</p> <p>Cos phi - p.f. at 3/4 load: 0.69</p> <p>Cos phi - p.f. at 1/2 load: 0.57</p> <p>Rated speed: 1453 rpm</p> <p>Motor efficiency at full load: 85.7 %</p> <p>Motor efficiency at 3/4 load: 85.6 %</p> <p>Motor efficiency at 1/2 load: 83.6 %</p> <p>Number of poles: 4</p> <p>Start. method: direct-on-line</p> <p>Enclosure class (IEC 34-5): IP68</p> <p>Insulation class (IEC 85): H</p> <p>Explosion proof: yes</p> <p>Length of cable: 10 m</p> <p>Cable type: LYNIFLEX</p> <p>Others:</p> <p>Net weight: 114 kg</p> <p>Country of origin: HU</p> <p>Custom tariff no.: 84137021</p> |

98626394 SLV.100.100.30.A.EX.4.50D.C 50 Hz



| Description | Value |
|--------------------------------|--------------------------------------|
| General information: | |
| Product name: | SLV.100.100.30.A.EX.4.50D.C |
| Product No: | 98626394 |
| EAN number: | 5711498471719 |
| Price: | 3.945,00 GBP |
| Technical: | |
| Max flow: | 31.9 l/s |
| Head max: | 11.6 m |
| Type of impeller: | SUPER VORTEX |
| Maximum particle size: | 100 mm |
| Primary shaft seal: | SIC/SIC |
| Secondary shaft seal: | CARBON/CERAMICS |
| Approvals on nameplate: | CE, EN12050-1, ATEX |
| Curve tolerance: | ISO9906:2012 3B2 |
| Cooling jacket: | without cooling jacket |
| Materials: | |
| Pump housing: | Cast iron (EN-GJL-250) EN-GJL-250 |
| Impeller: | Cast iron (EN-GJL-250) EN-GJL-250 |
| Motor: | EN-GJL-250 |
| Installation: | |
| Maximum ambient temperature: | 40 °C |
| Flange standard: | DIN |
| Pump inlet: | 100 |
| Pump outlet: | 100 |
| Pressure rating: | PN 10 |
| Maximum installation depth: | 20 m |
| Inst dry/wet: | SUBMERGED |
| Installation: | Vertical |
| Frame range: | C |
| Liquid: | |
| Pumped liquid: | Any Newtonian liquid |
| Maximum liquid temperature: | 40 °C |
| Density: | 998.2 kg/m ³ |
| Electrical data: | |
| Power input - P1: | 3.7 kW |
| Rated power - P2: | 3 kW |
| Mains frequency: | 50 Hz |
| Rated voltage: | 3 x 380-415 V |
| Voltage tolerance: | +10/-10 % |
| Max starts per. hour: | 20 |
| Rated current: | 8.0-7.0 A |
| Cos phi - power factor: | 0.77 |
| Cos phi - p.f. at 3/4 load: | 0.69 |
| Cos phi - p.f. at 1/2 load: | 0.57 |
| Rated speed: | 1453 rpm |
| Motor efficiency at full load: | 85.7 % |
| Motor efficiency at 3/4 load: | 85.6 % |
| Motor efficiency at 1/2 load: | 83.6 % |
| Number of poles: | 4 |
| Start. method: | direct-on-line |
| Enclosure class (IEC 34-5): | IP68 |
| Insulation class (IEC 85): | H |
| Explosion proof: | yes |
| Motor protec: | Pt1000 |
| Length of cable: | 10 m |
| Cable type: | LYNIFLEX |





Company name:

Created by:

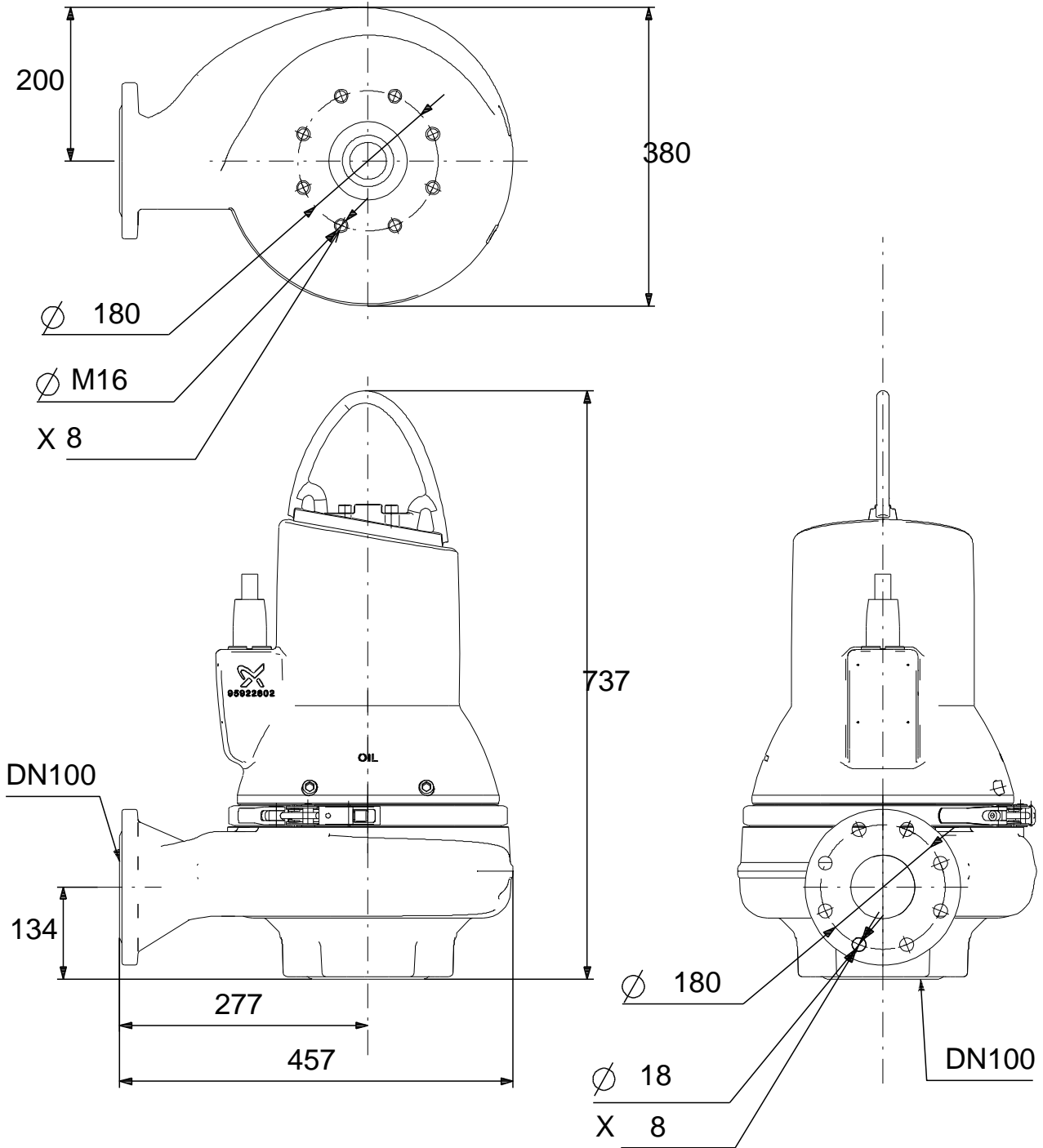
Phone:

Date:

07/12/2018

| Description | Value |
|----------------------|--------------------------|
| Controls: | |
| Control box: | not included |
| Moisture sensor: | with moisture sensors |
| Water-in-oil sensor: | with water-in-oil sensor |
| Others: | |
| Net weight: | 114 kg |
| Country of origin: | HU |
| Custom tariff no.: | 84137021 |

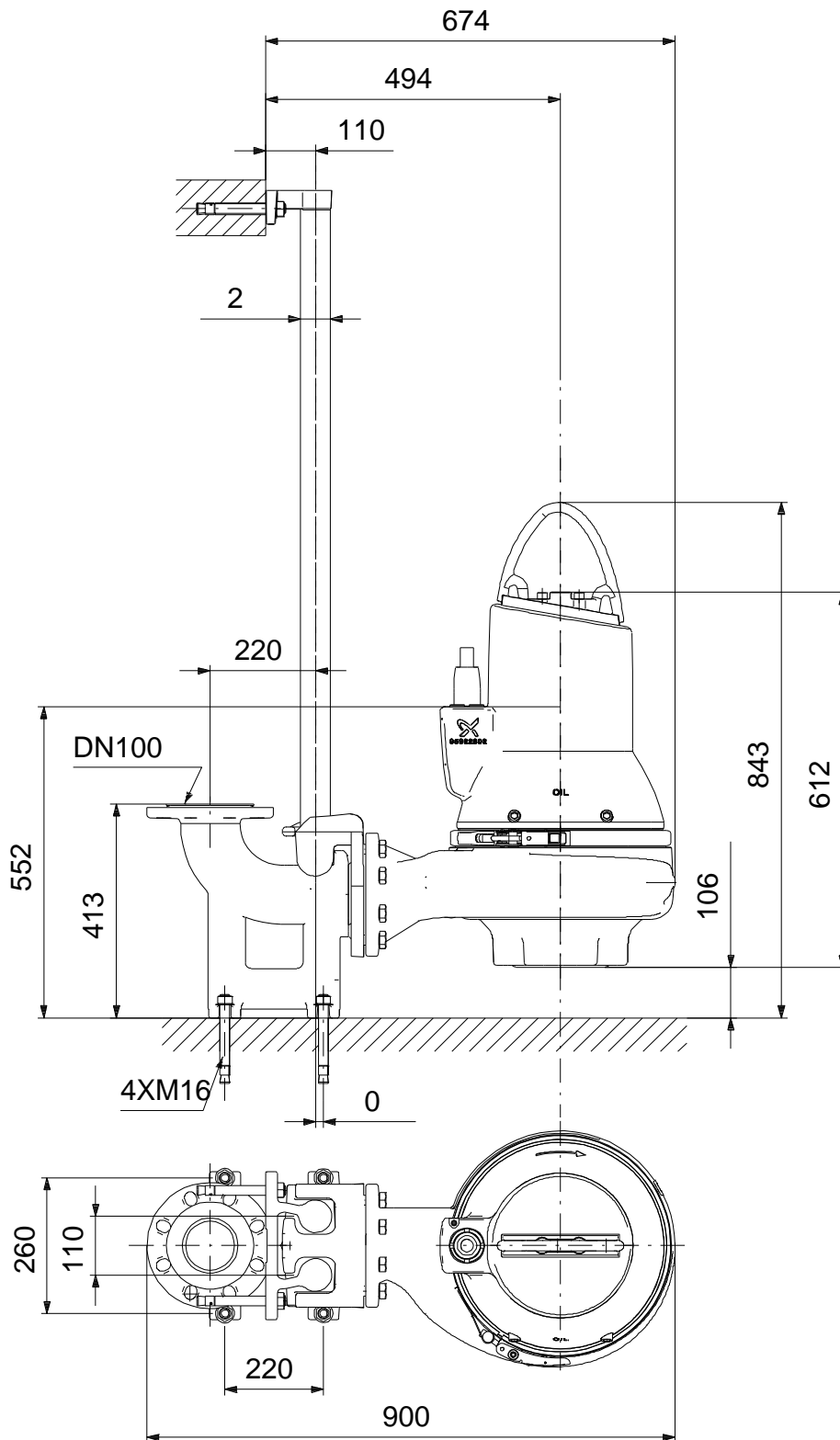
98626394 SLV.100.100.30.A.EX.4.50D.C 50 Hz



160x160

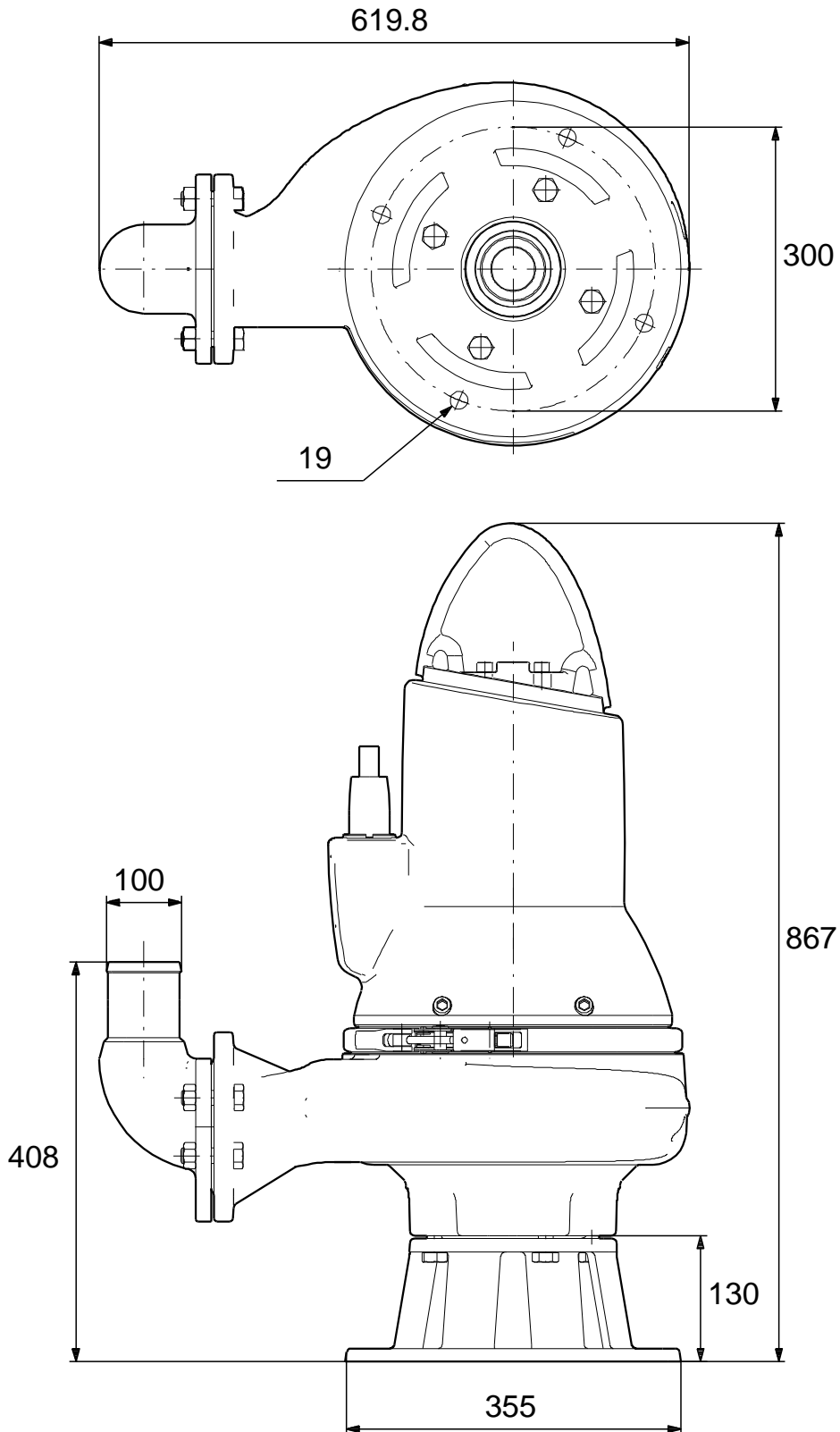
Note! All units are in [mm] unless others are stated.
Disclaimer: This simplified dimensional drawing does not show all details.

98626394 SLV.100.100.30.A.EX.4.50D.C 50 Hz



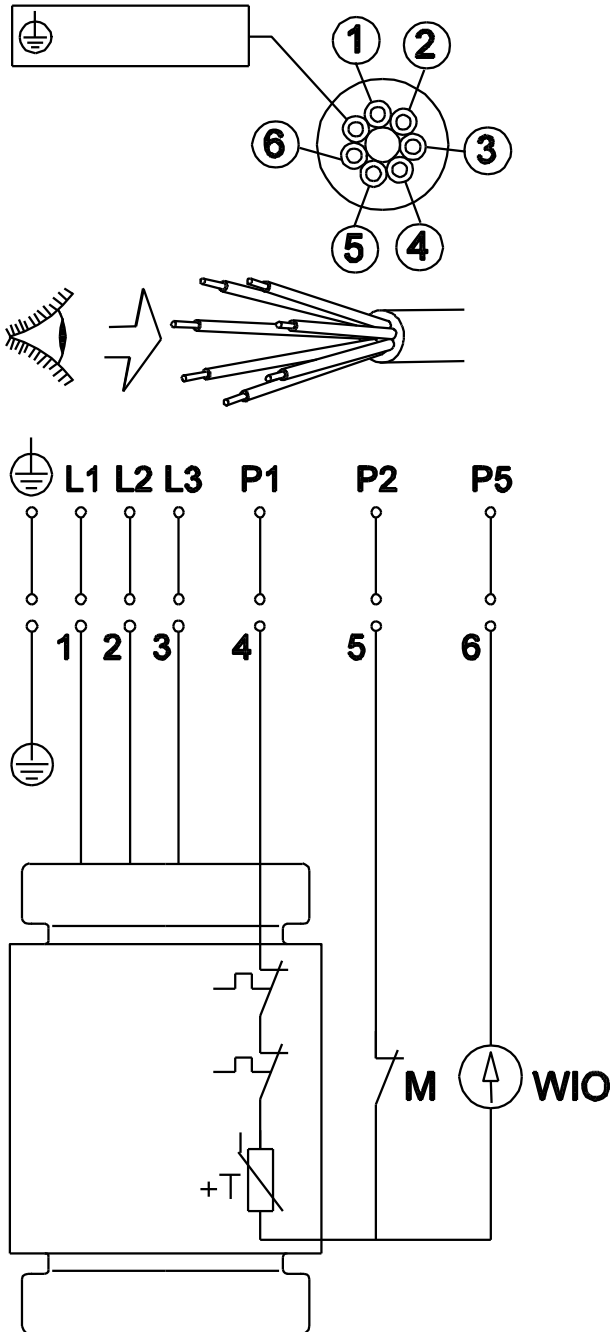
Note! All units are in [mm] unless others are stated.
Disclaimer: This simplified dimensional drawing does not show all details.

98626394 SLV.100.100.30.A.EX.4.50D.C 50 Hz



Note! All units are in [mm] unless others are stated.
Disclaimer: This simplified dimensional drawing does not show all details.

98626394 SLV.100.100.30.A.EX.4.50D.C 50 Hz



Note! All units are in [mm] unless others are stated.