


Position	Count	Description																																														
	1	<p>SL1.80.100.15.4.50D.C</p>  <p style="text-align: center;">Product photo could vary from the actual product</p> <p>Product No.: 98625977</p> <p>Non-self-priming, single-stage, centrifugal pump designed for handling wastewater, process water and unscreened raw sewage.</p> <p>The pump is designed for intermittent and continuous operations in submerged installation. The revolutionary S-tube® impeller provides free spherical passage of solids up to 3 1/8 in and is suitable for wastewater with a dry matter content of up to 3 %.</p> <p>A unique stainless-steel clamp assembling system enables quick and easy disassembly of the pump from the motor unit for service and inspection. No special tools are required. Pipework connection is via a DIN flange.</p> <p>Controls:</p> <table> <tr> <td>Moisture sensor:</td> <td>with moisture sensors</td> </tr> <tr> <td>Water-in-oil sensor:</td> <td>without water-in-oil sensor</td> </tr> </table> <p>Liquid:</p> <table> <tr> <td>Pumped liquid:</td> <td>any viscous fluid</td> </tr> <tr> <td>Maximum liquid temperature:</td> <td>104 °F</td> </tr> <tr> <td>Density:</td> <td>62.29 lb/ft³</td> </tr> </table> <p>Technical:</p> <table> <tr> <td>Type of impeller:</td> <td>S-TUBE</td> </tr> <tr> <td>Maximum particle size:</td> <td>3 1/8 in</td> </tr> <tr> <td>Primary shaft seal:</td> <td>SIC/SIC</td> </tr> <tr> <td>Secondary shaft seal:</td> <td>CARBON/CERAMICS</td> </tr> <tr> <td>Approvals on nameplate:</td> <td>CE, EN12050-1</td> </tr> <tr> <td>Curve tolerance:</td> <td>ISO9906:2012 3B2</td> </tr> </table> <p>Materials:</p> <table> <tr> <td>Pump housing:</td> <td>Cast iron (EN-GJL-250)</td> </tr> <tr> <td></td> <td>EN-GJL-250</td> </tr> <tr> <td>Impeller:</td> <td>Cast iron (EN-GJL-250)</td> </tr> <tr> <td></td> <td>EN-GJL-250</td> </tr> <tr> <td>Motor:</td> <td>EN-GJL-250</td> </tr> </table> <p>Installation:</p> <table> <tr> <td>Maximum ambient temperature:</td> <td>104 °F</td> </tr> <tr> <td>Flange standard:</td> <td>DIN</td> </tr> <tr> <td>Pump inlet:</td> <td>100</td> </tr> <tr> <td>Pump outlet:</td> <td>100</td> </tr> <tr> <td>Pressure stage:</td> <td>PN 10</td> </tr> <tr> <td>Maximum installation depth:</td> <td>65.62 ft</td> </tr> <tr> <td>Frame range:</td> <td>B</td> </tr> </table>	Moisture sensor:	with moisture sensors	Water-in-oil sensor:	without water-in-oil sensor	Pumped liquid:	any viscous fluid	Maximum liquid temperature:	104 °F	Density:	62.29 lb/ft ³	Type of impeller:	S-TUBE	Maximum particle size:	3 1/8 in	Primary shaft seal:	SIC/SIC	Secondary shaft seal:	CARBON/CERAMICS	Approvals on nameplate:	CE, EN12050-1	Curve tolerance:	ISO9906:2012 3B2	Pump housing:	Cast iron (EN-GJL-250)		EN-GJL-250	Impeller:	Cast iron (EN-GJL-250)		EN-GJL-250	Motor:	EN-GJL-250	Maximum ambient temperature:	104 °F	Flange standard:	DIN	Pump inlet:	100	Pump outlet:	100	Pressure stage:	PN 10	Maximum installation depth:	65.62 ft	Frame range:	B
Moisture sensor:	with moisture sensors																																															
Water-in-oil sensor:	without water-in-oil sensor																																															
Pumped liquid:	any viscous fluid																																															
Maximum liquid temperature:	104 °F																																															
Density:	62.29 lb/ft ³																																															
Type of impeller:	S-TUBE																																															
Maximum particle size:	3 1/8 in																																															
Primary shaft seal:	SIC/SIC																																															
Secondary shaft seal:	CARBON/CERAMICS																																															
Approvals on nameplate:	CE, EN12050-1																																															
Curve tolerance:	ISO9906:2012 3B2																																															
Pump housing:	Cast iron (EN-GJL-250)																																															
	EN-GJL-250																																															
Impeller:	Cast iron (EN-GJL-250)																																															
	EN-GJL-250																																															
Motor:	EN-GJL-250																																															
Maximum ambient temperature:	104 °F																																															
Flange standard:	DIN																																															
Pump inlet:	100																																															
Pump outlet:	100																																															
Pressure stage:	PN 10																																															
Maximum installation depth:	65.62 ft																																															
Frame range:	B																																															



Company name:

Created by:

Phone:

Date:

11/13/2018

Position	Count	Description
		Electrical data: Power input - P1: 1.9 kW Rated power - P2: 2 HP Main frequency: 50 Hz Rated voltage: 3 x 380-415 V Voltage tolerance: +10/-10 % Max starts per. hour: 20 Rated current: 4.1-4.2 A Cos phi - power factor: 0.70 Cos phi - p.f. at 3/4 load: 0.61 Cos phi - p.f. at 1/2 load: 0.48 Rated speed: 1452 rpm Motor efficiency at full load: 84.3 % Motor efficiency at 3/4 load: 83.9 % Motor efficiency at 1/2 load: 81.8 % Number of poles: 4 Start. method: direct-on-line Enclosure class (IEC 34-5): IP68 Insulation class (IEC 85): H Explosion proof: no Length of cable: 33 ft Cable type: LYNIFLEX Others: Net weight: 222 lb Country of origin: HU Custom tariff no.: 84137021



Company name:

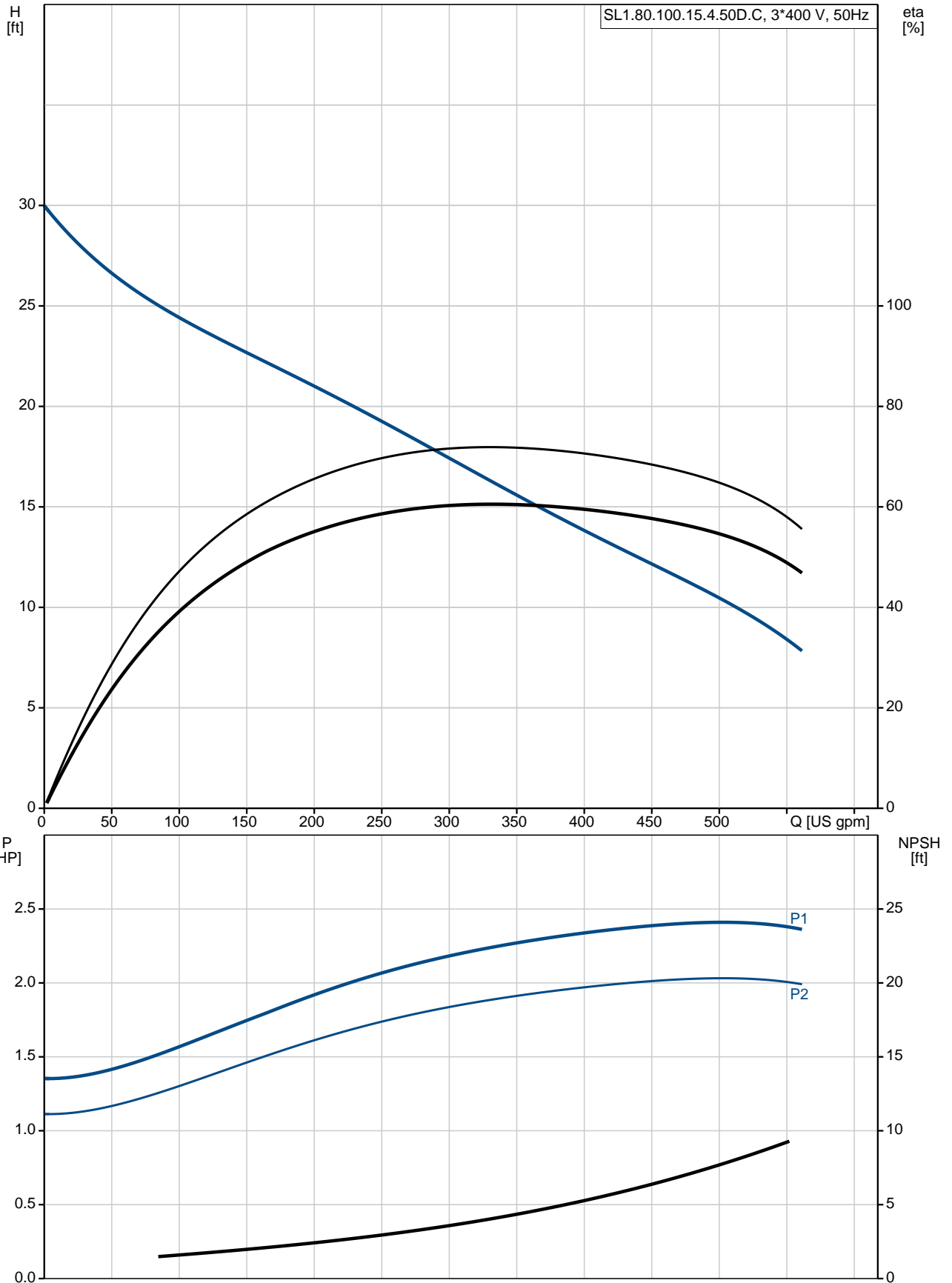
Created by:

Phone:

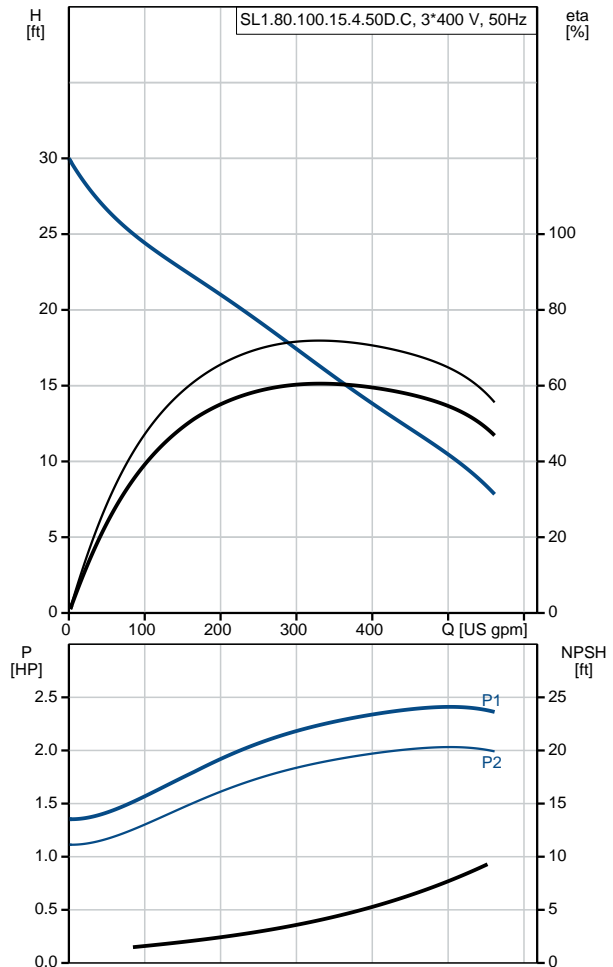
Date:

11/13/2018

98625977 SL1.80.100.15.4.50D.C 50 Hz



Description	Value
General information:	
Product name:	SL1.80.100.15.4.50D.C
Product No.:	98625977
EAN:	5711498463622
Technical:	
Max flow:	559 US gpm
Head max:	29.86 ft
Type of impeller:	S-TUBE
Maximum particle size:	3 1/8 in
Primary shaft seal:	SIC/SIC
Secondary shaft seal:	CARBON/CERAMICS
Approvals on nameplate:	CE, EN12050-1
Curve tolerance:	ISO9906:2012 3B2
Cooling jacket:	without cooling jacket
Materials:	
Pump housing:	Cast iron (EN-GJL-250)
	EN-GJL-250
Impeller:	Cast iron (EN-GJL-250)
	EN-GJL-250
Motor:	EN-GJL-250
Installation:	
Maximum ambient temperature:	104 °F
Flange standard:	DIN
Pump inlet:	100
Pump outlet:	100
Pressure stage:	PN 10
Maximum installation depth:	65.62 ft
Inst dry/wet:	SUBMERGED
Installation:	Vertical
Frame range:	B
Liquid:	
Pumped liquid:	any viscous fluid
Maximum liquid temperature:	104 °F
Density:	62.29 lb/ft ³
Electrical data:	
Power input - P1:	1.9 kW
Rated power - P2:	2 HP
Main frequency:	50 Hz
Rated voltage:	3 x 380-415 V
Voltage tolerance:	+10/-10 %
Max starts per. hour:	20
Rated current:	4.1-4.2 A
Cos phi - power factor:	0.70
Cos phi - p.f. at 3/4 load:	0.61
Cos phi - p.f. at 1/2 load:	0.48
Rated speed:	1452 rpm
Motor efficiency at full load:	84.3 %
Motor efficiency at 3/4 load:	83.9 %
Motor efficiency at 1/2 load:	81.8 %
Number of poles:	4
Start. method:	direct-on-line
Enclosure class (IEC 34-5):	IP68
Insulation class (IEC 85):	H
Explosion proof:	no
Motor protection:	THERMAL SWITCH
Length of cable:	33 ft
Cable type:	LYNIFLEX
Controls:	





Company name:

Created by:

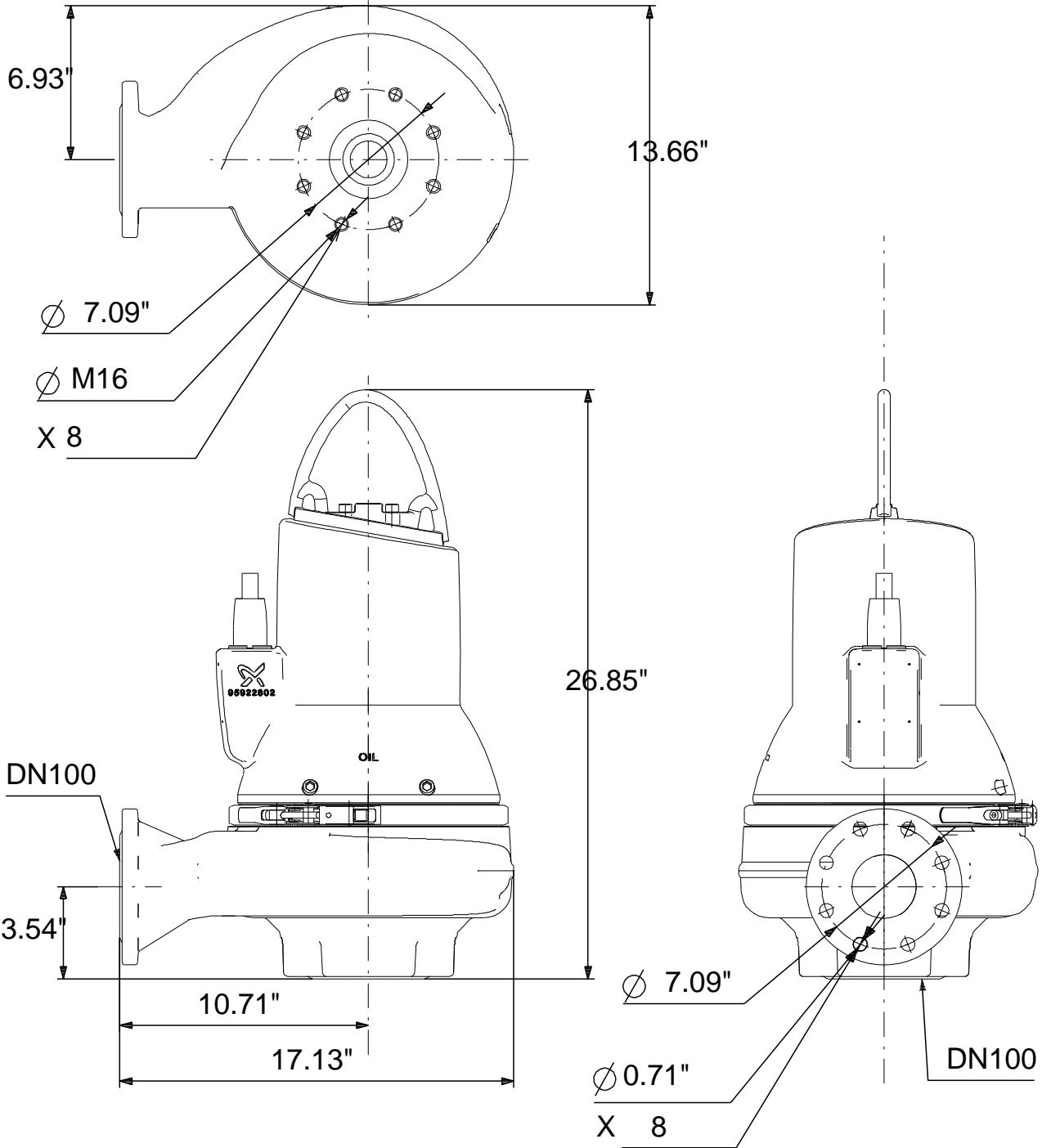
Phone:

Date:

11/13/2018

Description	Value
Control box:	not included
Moisture sensor:	with moisture sensors
Water-in-oil sensor:	without water-in-oil sensor
Others:	
Net weight:	222 lb
Country of origin:	HU
Custom tariff no.:	84137021

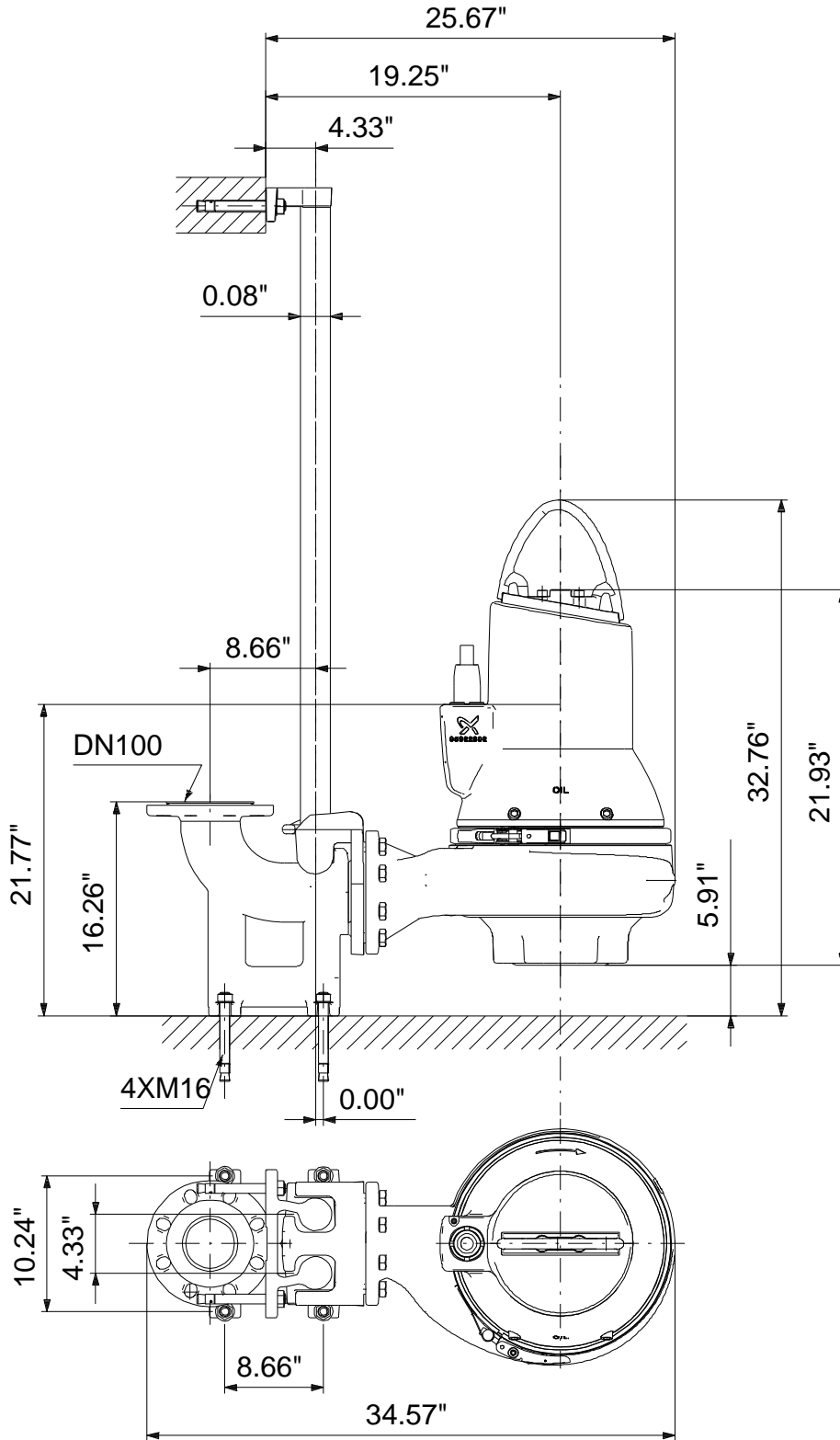
98625977 SL1.80.100.15.4.50D.C 50 Hz



160x160

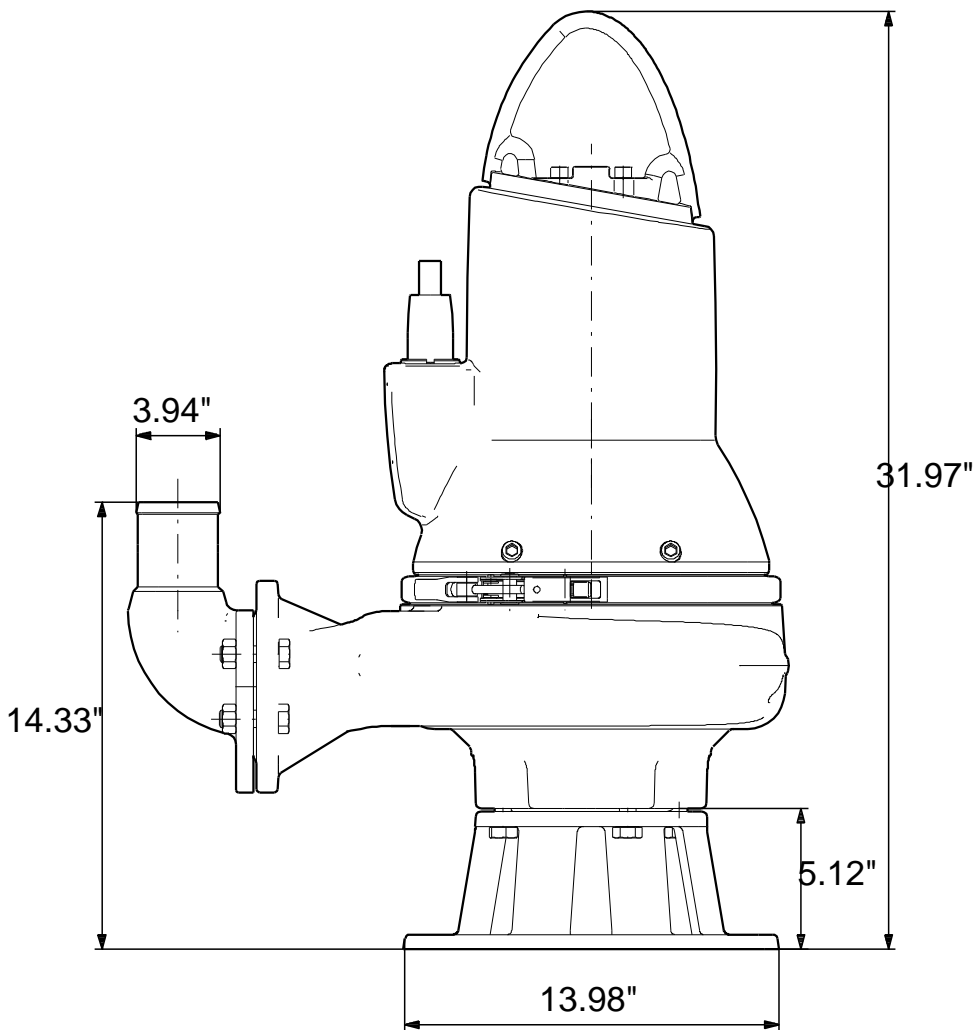
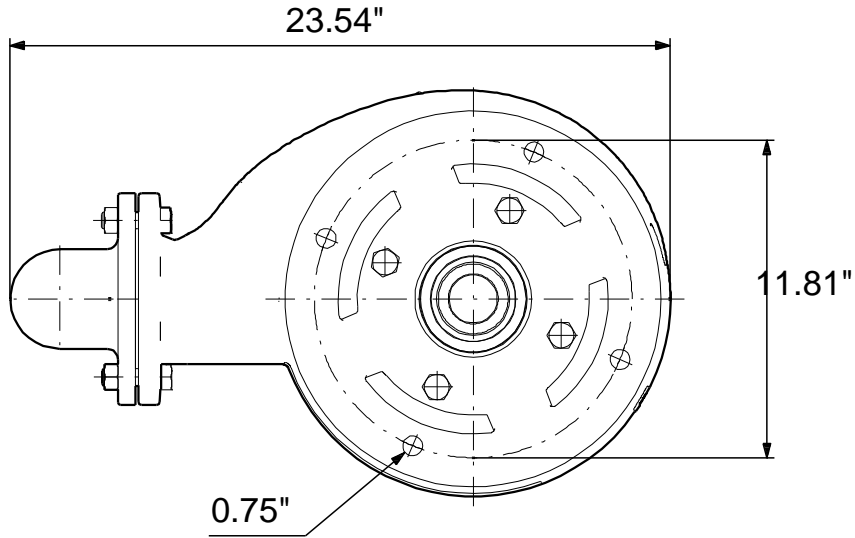
Note! All units are in [mm] unless otherwise stated.
Disclaimer: This simplified dimensional drawing does not show all details.

98625977 SL1.80.100.15.4.50D.C 50 Hz



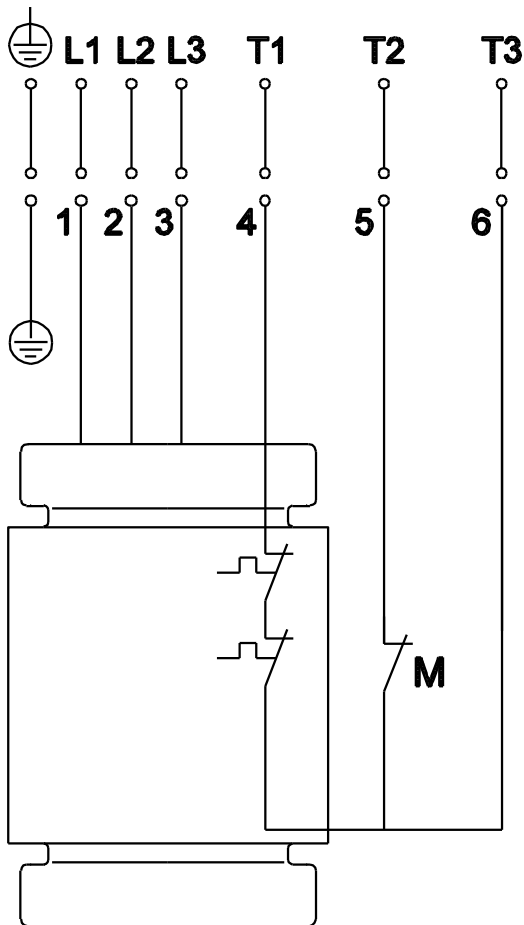
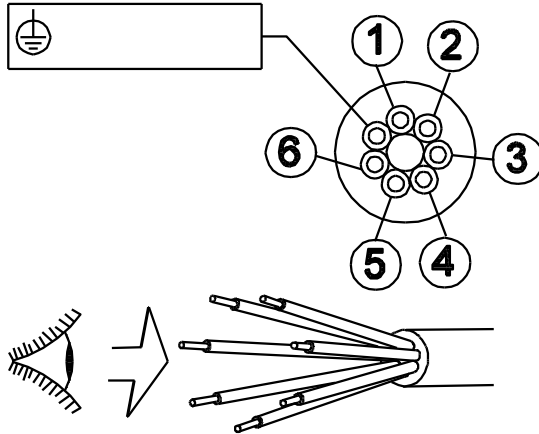
Note! All units are in [mm] unless otherwise stated.
 Disclaimer: This simplified dimensional drawing does not show all details.

98625977 SL1.80.100.15.4.50D.C 50 Hz



Note! All units are in [mm] unless otherwise stated.
Disclaimer: This simplified dimensional drawing does not show all details.

98625977 SL1.80.100.15.4.50D.C 50 Hz



All units are [mm] unless otherwise presented.