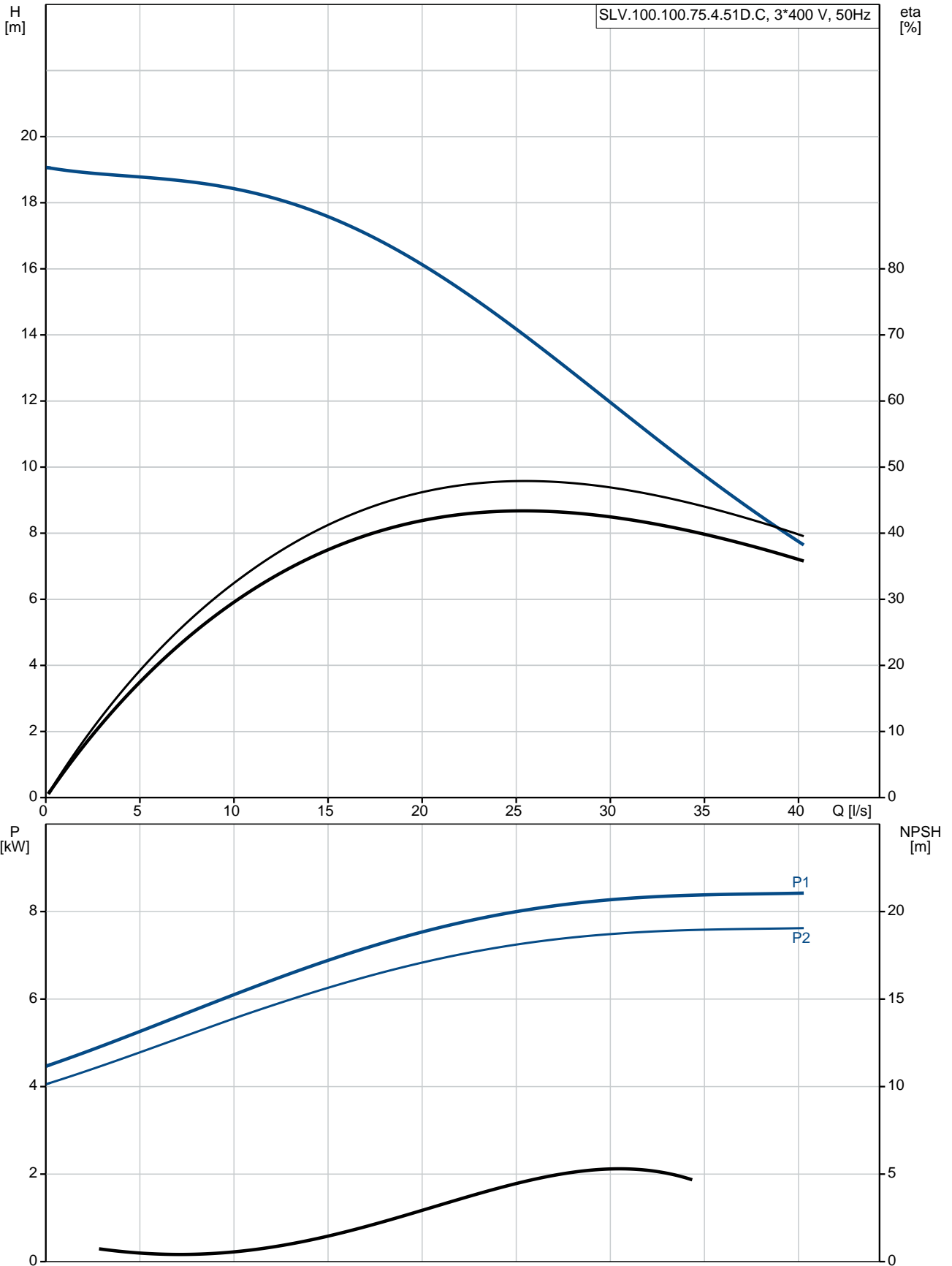


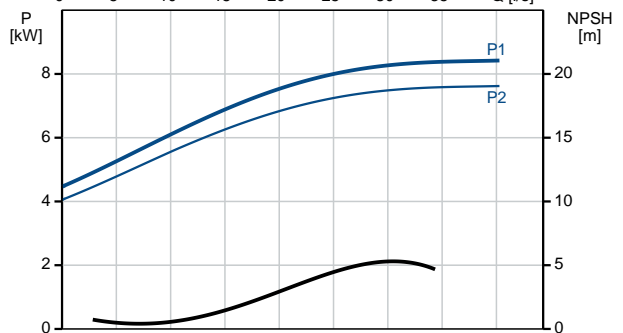
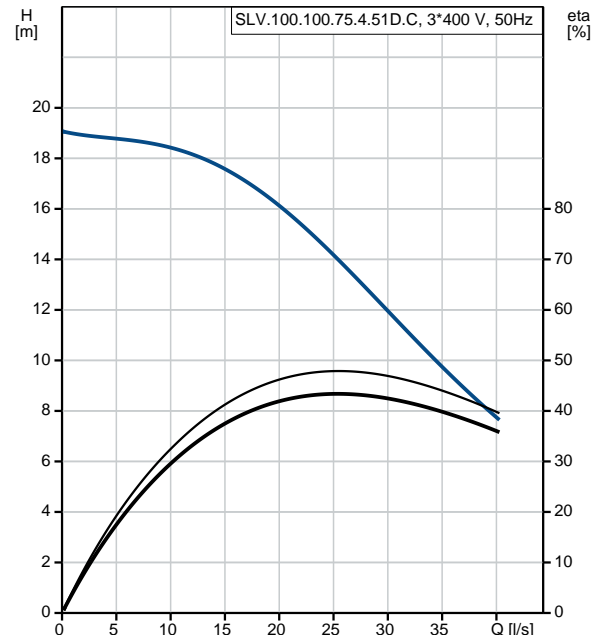
Qty.	Description																																										
1	<p data-bbox="199 338 478 367">SLV.100.100.75.4.51D.C</p> <div data-bbox="204 472 576 696" style="text-align: center;">  </div> <p data-bbox="592 770 1075 795" style="text-align: center;">Note! Product picture may differ from actual product</p> <p data-bbox="199 801 467 831">Product No.: 98624704</p> <p data-bbox="199 862 1458 913">Non-self-priming, single-stage, centrifugal pump designed for handling wastewater, process water and unscreened raw sewage.</p> <p data-bbox="199 920 1445 994">The pump is designed for intermittent and continuous operations in submerged installation. The efficient SuperVortex impeller provides passage of long fibres and solids up to 100 mm and is suitable for wastewater with a dry matter content of up to 5 %.</p> <p data-bbox="199 1003 1401 1055">A unique stainless-steel clamp assembling system enables quick and easy disassembly of the pump from the motor unit for service and inspection. No special tools are required. Pipework connection is via a DIN flange.</p> <p data-bbox="199 1122 312 1151">Controls:</p> <table data-bbox="199 1151 855 1211"> <tr> <td>Moisture sensor:</td> <td>with moisture sensors</td> </tr> <tr> <td>Water-in-oil sensor:</td> <td>without water-in-oil sensor</td> </tr> </table> <p data-bbox="199 1240 288 1270">Liquid:</p> <table data-bbox="199 1270 799 1361"> <tr> <td>Pumped liquid:</td> <td>Any Newtonian liquid</td> </tr> <tr> <td>Maximum liquid temperature:</td> <td>40 °C</td> </tr> <tr> <td>Density:</td> <td>998.2 kg/m³</td> </tr> </table> <p data-bbox="199 1391 325 1420">Technical:</p> <table data-bbox="199 1420 810 1599"> <tr> <td>Type of impeller:</td> <td>SUPER VORTEX</td> </tr> <tr> <td>Maximum particle size:</td> <td>100 mm</td> </tr> <tr> <td>Primary shaft seal:</td> <td>SIC/SIC</td> </tr> <tr> <td>Secondary shaft seal:</td> <td>CARBON/CERAMICS</td> </tr> <tr> <td>Approvals on nameplate:</td> <td>CE, EN12050-1</td> </tr> <tr> <td>Curve tolerance:</td> <td>ISO9906:2012 3B2</td> </tr> </table> <p data-bbox="199 1628 320 1657">Materials:</p> <table data-bbox="199 1657 828 1805"> <tr> <td>Pump housing:</td> <td>Cast iron (EN-GJL-250) EN-GJL-250</td> </tr> <tr> <td>Impeller:</td> <td>Cast iron (EN-GJL-250) EN-GJL-250</td> </tr> <tr> <td>Motor:</td> <td>EN-GJL-250</td> </tr> </table> <p data-bbox="199 1834 344 1863">Installation:</p> <table data-bbox="199 1863 636 2074"> <tr> <td>Maximum ambient temperature:</td> <td>40 °C</td> </tr> <tr> <td>Flange standard:</td> <td>DIN</td> </tr> <tr> <td>Pump inlet:</td> <td>100</td> </tr> <tr> <td>Pump outlet:</td> <td>100</td> </tr> <tr> <td>Pressure rating:</td> <td>PN 10</td> </tr> <tr> <td>Maximum installation depth:</td> <td>20 m</td> </tr> <tr> <td>Frame range:</td> <td>D</td> </tr> </table>	Moisture sensor:	with moisture sensors	Water-in-oil sensor:	without water-in-oil sensor	Pumped liquid:	Any Newtonian liquid	Maximum liquid temperature:	40 °C	Density:	998.2 kg/m ³	Type of impeller:	SUPER VORTEX	Maximum particle size:	100 mm	Primary shaft seal:	SIC/SIC	Secondary shaft seal:	CARBON/CERAMICS	Approvals on nameplate:	CE, EN12050-1	Curve tolerance:	ISO9906:2012 3B2	Pump housing:	Cast iron (EN-GJL-250) EN-GJL-250	Impeller:	Cast iron (EN-GJL-250) EN-GJL-250	Motor:	EN-GJL-250	Maximum ambient temperature:	40 °C	Flange standard:	DIN	Pump inlet:	100	Pump outlet:	100	Pressure rating:	PN 10	Maximum installation depth:	20 m	Frame range:	D
Moisture sensor:	with moisture sensors																																										
Water-in-oil sensor:	without water-in-oil sensor																																										
Pumped liquid:	Any Newtonian liquid																																										
Maximum liquid temperature:	40 °C																																										
Density:	998.2 kg/m ³																																										
Type of impeller:	SUPER VORTEX																																										
Maximum particle size:	100 mm																																										
Primary shaft seal:	SIC/SIC																																										
Secondary shaft seal:	CARBON/CERAMICS																																										
Approvals on nameplate:	CE, EN12050-1																																										
Curve tolerance:	ISO9906:2012 3B2																																										
Pump housing:	Cast iron (EN-GJL-250) EN-GJL-250																																										
Impeller:	Cast iron (EN-GJL-250) EN-GJL-250																																										
Motor:	EN-GJL-250																																										
Maximum ambient temperature:	40 °C																																										
Flange standard:	DIN																																										
Pump inlet:	100																																										
Pump outlet:	100																																										
Pressure rating:	PN 10																																										
Maximum installation depth:	20 m																																										
Frame range:	D																																										

Qty.	Description
	<p>Electrical data:</p> <p>Power input - P1: 8.4 kW Rated power - P2: 7.5 kW Mains frequency: 50 Hz Rated voltage: 3 x 380-415 V Voltage tolerance: +10/-10 % Max starts per. hour: 20 Rated current: 15.1-14.4 A Starting current: 111 A Cos phi - power factor: 0.83 Cos phi - p.f. at 3/4 load: 0.78 Cos phi - p.f. at 1/2 load: 0.68 Rated speed: 1462 rpm Motor efficiency at full load: 90.5 % Motor efficiency at 3/4 load: 91.1 % Motor efficiency at 1/2 load: 90.7 % Number of poles: 4 Start. method: star/delta Enclosure class (IEC 34-5): IP68 Insulation class (IEC 85): H Explosion proof: no Length of cable: 10 m Cable type: LYNIFLEX</p> <p>Others:</p> <p>Net weight: 170 kg Country of origin: HU Custom tariff no.: 84137021</p>

98624704 SLV.100.100.75.4.51D.C 50 Hz



Description	Value
General information:	
Product name:	SLV.100.100.75.4.51D.C
Product No:	98624704
EAN number:	5711498435551
Price:	4.428,00 GBP
Technical:	
Max flow:	40.3 l/s
Head max:	19.9 m
Type of impeller:	SUPER VORTEX
Maximum particle size:	100 mm
Primary shaft seal:	SIC/SIC
Secondary shaft seal:	CARBON/CERAMICS
Approvals on nameplate:	CE, EN12050-1
Curve tolerance:	ISO9906:2012 3B2
Cooling jacket:	without cooling jacket
Materials:	
Pump housing:	Cast iron (EN-GJL-250)
	EN-GJL-250
Impeller:	Cast iron (EN-GJL-250)
	EN-GJL-250
Motor:	EN-GJL-250
Installation:	
Maximum ambient temperature:	40 °C
Flange standard:	DIN
Pump inlet:	100
Pump outlet:	100
Pressure rating:	PN 10
Maximum installation depth:	20 m
Inst dry/wet:	SUBMERGED
Installation:	Vertical
Frame range:	D
Liquid:	
Pumped liquid:	Any Newtonian liquid
Maximum liquid temperature:	40 °C
Density:	998.2 kg/m ³
Electrical data:	
Power input - P1:	8.4 kW
Rated power - P2:	7.5 kW
Mains frequency:	50 Hz
Rated voltage:	3 x 380-415 V
Voltage tolerance:	+10/-10 %
Max starts per. hour:	20
Rated current:	15.1-14.4 A
Starting current:	111 A
Cos phi - power factor:	0.83
Cos phi - p.f. at 3/4 load:	0.78
Cos phi - p.f. at 1/2 load:	0.68
Rated speed:	1462 rpm
Motor efficiency at full load:	90.5 %
Motor efficiency at 3/4 load:	91.1 %
Motor efficiency at 1/2 load:	90.7 %
Number of poles:	4
Start. method:	star/delta
Enclosure class (IEC 34-5):	IP68
Insulation class (IEC 85):	H
Explosion proof:	no
Motor protec:	THERMAL SWITCH
Length of cable:	10 m





Company name:

Created by:

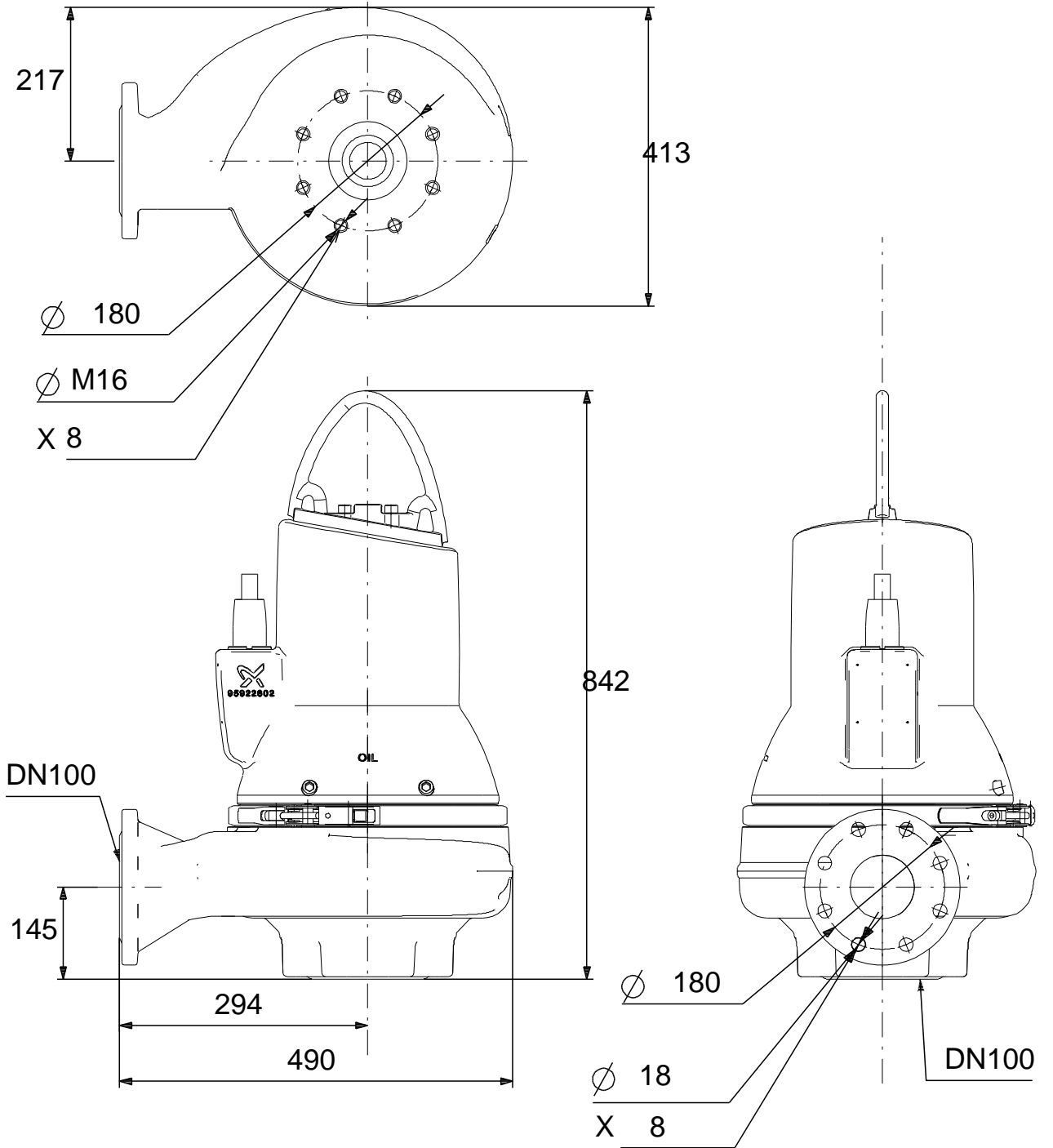
Phone:

Date:

07/12/2018

Description	Value
Cable type:	LYNIFLEX
Controls:	
Control box:	not included
Moisture sensor:	with moisture sensors
Water-in-oil sensor:	without water-in-oil sensor
Others:	
Net weight:	170 kg
Country of origin:	HU
Custom tariff no.:	84137021

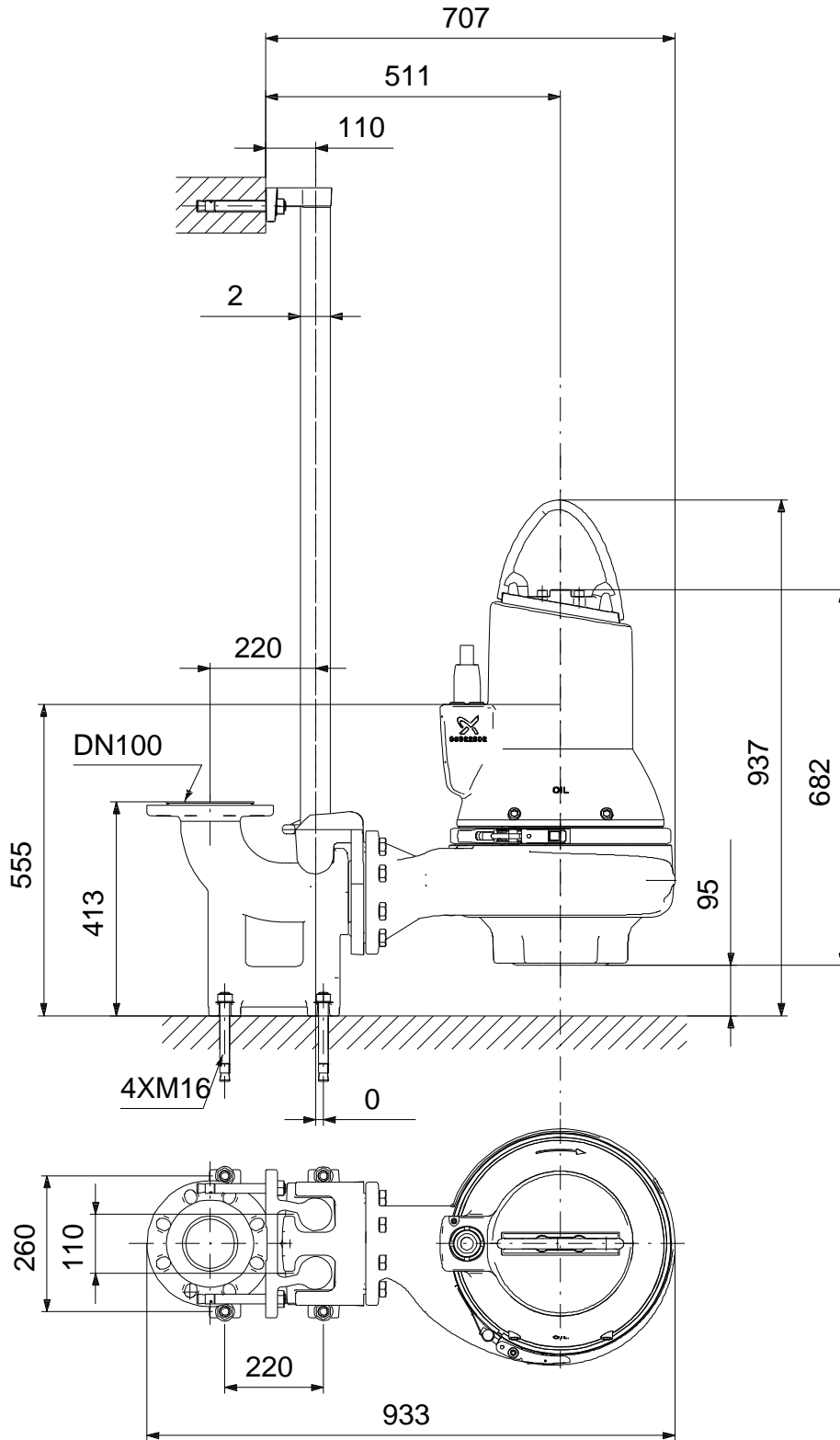
98624704 SLV.100.100.75.4.51D.C 50 Hz



160x160

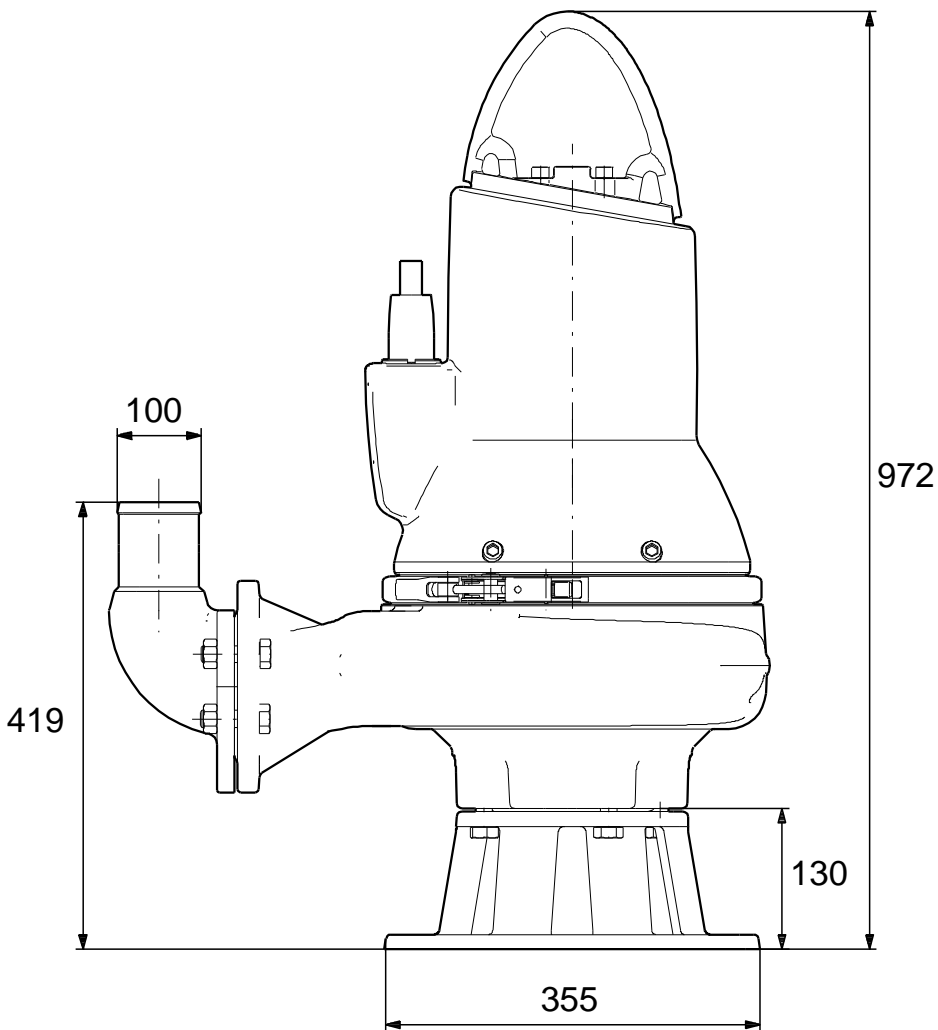
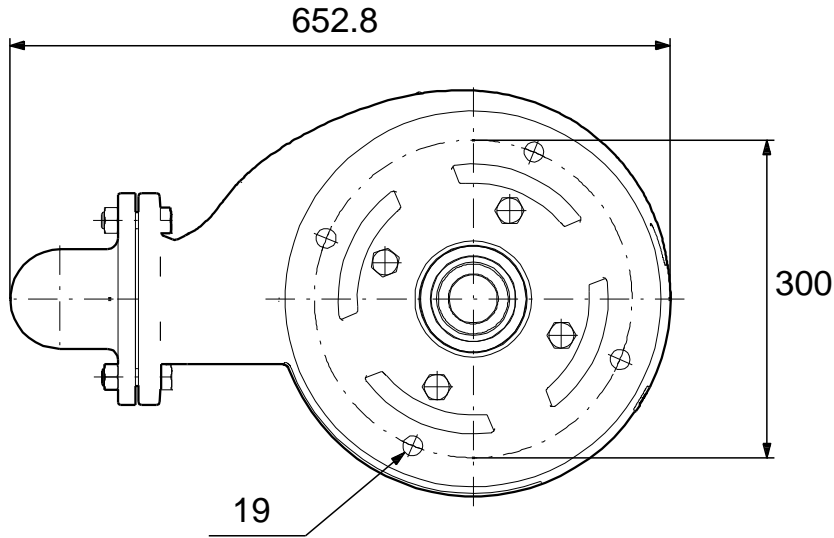
Note! All units are in [mm] unless others are stated.
Disclaimer: This simplified dimensional drawing does not show all details.

98624704 SLV.100.100.75.4.51D.C 50 Hz



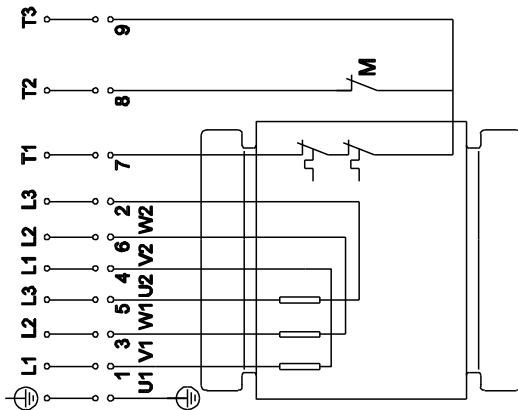
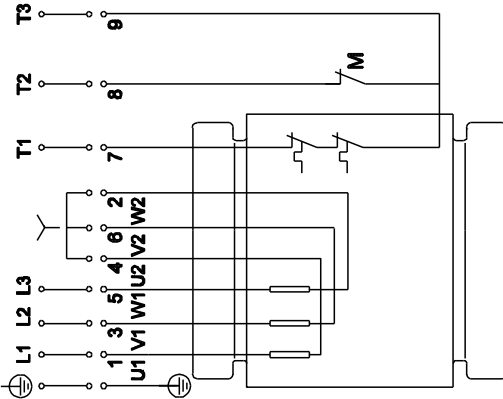
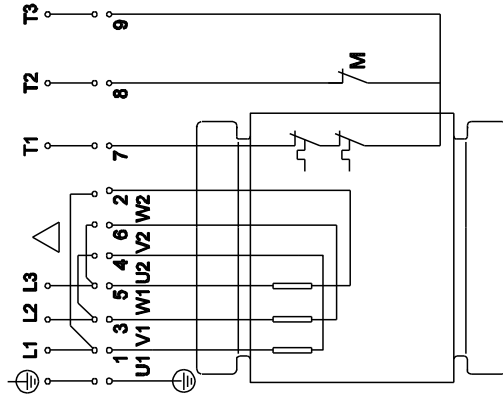
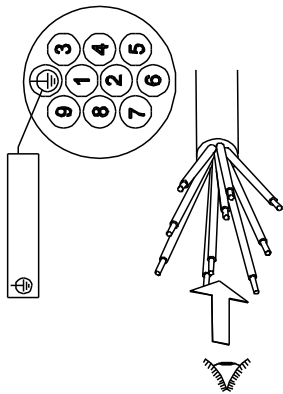
Note! All units are in [mm] unless others are stated.
Disclaimer: This simplified dimensional drawing does not show all details.

98624704 SLV.100.100.75.4.51D.C 50 Hz



Note! All units are in [mm] unless others are stated.
Disclaimer: This simplified dimensional drawing does not show all details.

98624704 SLV.100.100.75.4.51D.C 50 Hz



Note! All units are in [mm] unless others are stated.