

| Position                     | Count                                | Description  |                  |                       |                      |                             |                |                   |                             |        |          |                          |                   |        |                        |            |                     |         |                       |                 |                         |               |                  |                  |               |                                      |           |                                      |        |            |                              |        |                  |     |             |     |              |     |                 |       |                             |          |              |   |
|------------------------------|--------------------------------------|--|------------------|-----------------------|----------------------|-----------------------------|----------------|-------------------|-----------------------------|--------|----------|--------------------------|-------------------|--------|------------------------|------------|---------------------|---------|-----------------------|-----------------|-------------------------|---------------|------------------|------------------|---------------|--------------------------------------|-----------|--------------------------------------|--------|------------|------------------------------|--------|------------------|-----|-------------|-----|--------------|-----|-----------------|-------|-----------------------------|----------|--------------|---|
|                              | 1                                    | <p><b>SL1.100.100.40.4.51D.C</b></p>  <p style="text-align: center;">Product photo could vary from the actual product</p> <p>Product No.: <a href="#">98624701</a></p> <p>Non-self-priming, single-stage, centrifugal pump designed for handling wastewater, process water and unscreened raw sewage.</p> <p>The pump is designed for intermittent and continuous operations in submerged installation. The revolutionary S-tube® impeller provides free spherical passage of solids up to 3 15/16 in and is suitable for wastewater with a dry matter content of up to 3 %.</p> <p>A unique stainless-steel clamp assembling system enables quick and easy disassembly of the pump from the motor unit for service and inspection. No special tools are required. Pipework connection is via a DIN flange.</p> <p><b>Controls:</b></p> <table> <tr> <td>Moisture sensor:</td> <td>with moisture sensors</td> </tr> <tr> <td>Water-in-oil sensor:</td> <td>without water-in-oil sensor</td> </tr> </table> <p><b>Liquid:</b></p> <table> <tr> <td>Pumped liquid:</td> <td>any viscous fluid</td> </tr> <tr> <td>Maximum liquid temperature:</td> <td>104 °F</td> </tr> <tr> <td>Density:</td> <td>62.29 lb/ft<sup>3</sup></td> </tr> </table> <p><b>Technical:</b></p> <table> <tr> <td>Type of impeller:</td> <td>S-TUBE</td> </tr> <tr> <td>Maximum particle size:</td> <td>3 15/16 in</td> </tr> <tr> <td>Primary shaft seal:</td> <td>SIC/SIC</td> </tr> <tr> <td>Secondary shaft seal:</td> <td>CARBON/CERAMICS</td> </tr> <tr> <td>Approvals on nameplate:</td> <td>CE, EN12050-1</td> </tr> <tr> <td>Curve tolerance:</td> <td>ISO9906:2012 3B2</td> </tr> </table> <p><b>Materials:</b></p> <table> <tr> <td>Pump housing:</td> <td>Cast iron (EN-GJL-250)<br/>EN-GJL-250</td> </tr> <tr> <td>Impeller:</td> <td>Cast iron (EN-GJL-250)<br/>EN-GJL-250</td> </tr> <tr> <td>Motor:</td> <td>EN-GJL-250</td> </tr> </table> <p><b>Installation:</b></p> <table> <tr> <td>Maximum ambient temperature:</td> <td>104 °F</td> </tr> <tr> <td>Flange standard:</td> <td>DIN</td> </tr> <tr> <td>Pump inlet:</td> <td>150</td> </tr> <tr> <td>Pump outlet:</td> <td>100</td> </tr> <tr> <td>Pressure stage:</td> <td>PN 10</td> </tr> <tr> <td>Maximum installation depth:</td> <td>65.62 ft</td> </tr> <tr> <td>Frame range:</td> <td>C</td> </tr> </table> | Moisture sensor: | with moisture sensors | Water-in-oil sensor: | without water-in-oil sensor | Pumped liquid: | any viscous fluid | Maximum liquid temperature: | 104 °F | Density: | 62.29 lb/ft <sup>3</sup> | Type of impeller: | S-TUBE | Maximum particle size: | 3 15/16 in | Primary shaft seal: | SIC/SIC | Secondary shaft seal: | CARBON/CERAMICS | Approvals on nameplate: | CE, EN12050-1 | Curve tolerance: | ISO9906:2012 3B2 | Pump housing: | Cast iron (EN-GJL-250)<br>EN-GJL-250 | Impeller: | Cast iron (EN-GJL-250)<br>EN-GJL-250 | Motor: | EN-GJL-250 | Maximum ambient temperature: | 104 °F | Flange standard: | DIN | Pump inlet: | 150 | Pump outlet: | 100 | Pressure stage: | PN 10 | Maximum installation depth: | 65.62 ft | Frame range: | C |
| Moisture sensor:             | with moisture sensors                |  |                  |                       |                      |                             |                |                   |                             |        |          |                          |                   |        |                        |            |                     |         |                       |                 |                         |               |                  |                  |               |                                      |           |                                      |        |            |                              |        |                  |     |             |     |              |     |                 |       |                             |          |              |   |
| Water-in-oil sensor:         | without water-in-oil sensor          |  |                  |                       |                      |                             |                |                   |                             |        |          |                          |                   |        |                        |            |                     |         |                       |                 |                         |               |                  |                  |               |                                      |           |                                      |        |            |                              |        |                  |     |             |     |              |     |                 |       |                             |          |              |   |
| Pumped liquid:               | any viscous fluid                    |  |                  |                       |                      |                             |                |                   |                             |        |          |                          |                   |        |                        |            |                     |         |                       |                 |                         |               |                  |                  |               |                                      |           |                                      |        |            |                              |        |                  |     |             |     |              |     |                 |       |                             |          |              |   |
| Maximum liquid temperature:  | 104 °F                               |  |                  |                       |                      |                             |                |                   |                             |        |          |                          |                   |        |                        |            |                     |         |                       |                 |                         |               |                  |                  |               |                                      |           |                                      |        |            |                              |        |                  |     |             |     |              |     |                 |       |                             |          |              |   |
| Density:                     | 62.29 lb/ft <sup>3</sup>             |  |                  |                       |                      |                             |                |                   |                             |        |          |                          |                   |        |                        |            |                     |         |                       |                 |                         |               |                  |                  |               |                                      |           |                                      |        |            |                              |        |                  |     |             |     |              |     |                 |       |                             |          |              |   |
| Type of impeller:            | S-TUBE                               |  |                  |                       |                      |                             |                |                   |                             |        |          |                          |                   |        |                        |            |                     |         |                       |                 |                         |               |                  |                  |               |                                      |           |                                      |        |            |                              |        |                  |     |             |     |              |     |                 |       |                             |          |              |   |
| Maximum particle size:       | 3 15/16 in                           |  |                  |                       |                      |                             |                |                   |                             |        |          |                          |                   |        |                        |            |                     |         |                       |                 |                         |               |                  |                  |               |                                      |           |                                      |        |            |                              |        |                  |     |             |     |              |     |                 |       |                             |          |              |   |
| Primary shaft seal:          | SIC/SIC                              |  |                  |                       |                      |                             |                |                   |                             |        |          |                          |                   |        |                        |            |                     |         |                       |                 |                         |               |                  |                  |               |                                      |           |                                      |        |            |                              |        |                  |     |             |     |              |     |                 |       |                             |          |              |   |
| Secondary shaft seal:        | CARBON/CERAMICS                      |  |                  |                       |                      |                             |                |                   |                             |        |          |                          |                   |        |                        |            |                     |         |                       |                 |                         |               |                  |                  |               |                                      |           |                                      |        |            |                              |        |                  |     |             |     |              |     |                 |       |                             |          |              |   |
| Approvals on nameplate:      | CE, EN12050-1                        |  |                  |                       |                      |                             |                |                   |                             |        |          |                          |                   |        |                        |            |                     |         |                       |                 |                         |               |                  |                  |               |                                      |           |                                      |        |            |                              |        |                  |     |             |     |              |     |                 |       |                             |          |              |   |
| Curve tolerance:             | ISO9906:2012 3B2                     |  |                  |                       |                      |                             |                |                   |                             |        |          |                          |                   |        |                        |            |                     |         |                       |                 |                         |               |                  |                  |               |                                      |           |                                      |        |            |                              |        |                  |     |             |     |              |     |                 |       |                             |          |              |   |
| Pump housing:                | Cast iron (EN-GJL-250)<br>EN-GJL-250 |  |                  |                       |                      |                             |                |                   |                             |        |          |                          |                   |        |                        |            |                     |         |                       |                 |                         |               |                  |                  |               |                                      |           |                                      |        |            |                              |        |                  |     |             |     |              |     |                 |       |                             |          |              |   |
| Impeller:                    | Cast iron (EN-GJL-250)<br>EN-GJL-250 |  |                  |                       |                      |                             |                |                   |                             |        |          |                          |                   |        |                        |            |                     |         |                       |                 |                         |               |                  |                  |               |                                      |           |                                      |        |            |                              |        |                  |     |             |     |              |     |                 |       |                             |          |              |   |
| Motor:                       | EN-GJL-250                           |  |                  |                       |                      |                             |                |                   |                             |        |          |                          |                   |        |                        |            |                     |         |                       |                 |                         |               |                  |                  |               |                                      |           |                                      |        |            |                              |        |                  |     |             |     |              |     |                 |       |                             |          |              |   |
| Maximum ambient temperature: | 104 °F                               |  |                  |                       |                      |                             |                |                   |                             |        |          |                          |                   |        |                        |            |                     |         |                       |                 |                         |               |                  |                  |               |                                      |           |                                      |        |            |                              |        |                  |     |             |     |              |     |                 |       |                             |          |              |   |
| Flange standard:             | DIN                                  |  |                  |                       |                      |                             |                |                   |                             |        |          |                          |                   |        |                        |            |                     |         |                       |                 |                         |               |                  |                  |               |                                      |           |                                      |        |            |                              |        |                  |     |             |     |              |     |                 |       |                             |          |              |   |
| Pump inlet:                  | 150                                  |  |                  |                       |                      |                             |                |                   |                             |        |          |                          |                   |        |                        |            |                     |         |                       |                 |                         |               |                  |                  |               |                                      |           |                                      |        |            |                              |        |                  |     |             |     |              |     |                 |       |                             |          |              |   |
| Pump outlet:                 | 100                                  |  |                  |                       |                      |                             |                |                   |                             |        |          |                          |                   |        |                        |            |                     |         |                       |                 |                         |               |                  |                  |               |                                      |           |                                      |        |            |                              |        |                  |     |             |     |              |     |                 |       |                             |          |              |   |
| Pressure stage:              | PN 10                                |  |                  |                       |                      |                             |                |                   |                             |        |          |                          |                   |        |                        |            |                     |         |                       |                 |                         |               |                  |                  |               |                                      |           |                                      |        |            |                              |        |                  |     |             |     |              |     |                 |       |                             |          |              |   |
| Maximum installation depth:  | 65.62 ft                             |  |                  |                       |                      |                             |                |                   |                             |        |          |                          |                   |        |                        |            |                     |         |                       |                 |                         |               |                  |                  |               |                                      |           |                                      |        |            |                              |        |                  |     |             |     |              |     |                 |       |                             |          |              |   |
| Frame range:                 | C                                    |  |                  |                       |                      |                             |                |                   |                             |        |          |                          |                   |        |                        |            |                     |         |                       |                 |                         |               |                  |                  |               |                                      |           |                                      |        |            |                              |        |                  |     |             |     |              |     |                 |       |                             |          |              |   |



Company name:

Created by:

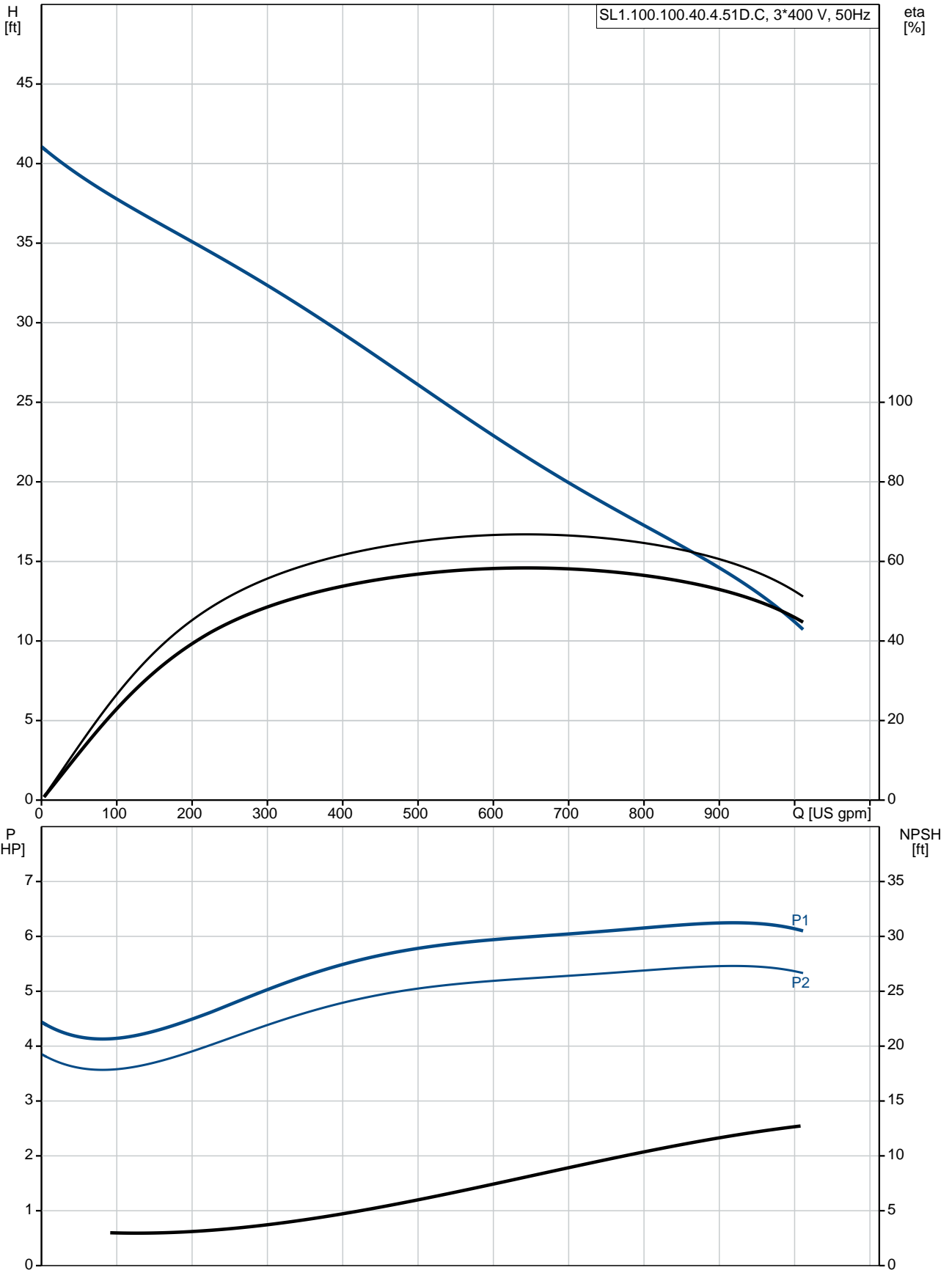
Phone:

Date:

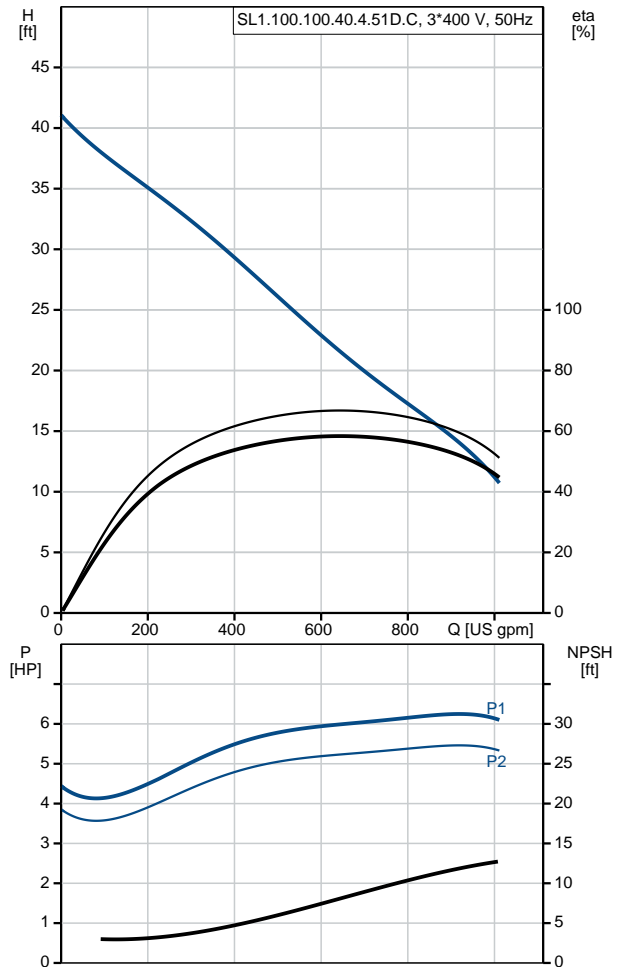
11/13/2018

| Position | Count | Description  |
|----------|-------|--|
|          |       | <b>Electrical data:</b><br>Power input - P1: 4.8 kW<br>Rated power - P2: 5.5 HP<br>Main frequency: 50 Hz<br>Rated voltage: 3 x 380-415 V<br>Voltage tolerance: +10/-10 %<br>Max starts per. hour: 20<br>Rated current: 10.1-10.1 A<br>Starting current: 65 A<br>Cos phi - power factor: 0.72<br>Cos phi - p.f. at 3/4 load: 0.63<br>Cos phi - p.f. at 1/2 load: 0.50<br>Rated speed: 1464 rpm<br>Motor efficiency at full load: 87.4 %<br>Motor efficiency at 3/4 load: 87.1 %<br>Motor efficiency at 1/2 load: 85.0 %<br>Number of poles: 4<br>Start. method: star/delta<br>Enclosure class (IEC 34-5): IP68<br>Insulation class (IEC 85): H<br>Explosion proof: no<br>Length of cable: 33 ft<br>Cable type: LYNIFLEX<br><br><b>Others:</b><br>Net weight: 330 lb<br>Country of origin: HU<br>Custom tariff no.: 84137021 |

## 98624701 SL1.100.100.40.4.51D.C 50 Hz



| Description                    | Value                    |
|--------------------------------|--------------------------|
| <b>General information:</b>    |                          |
| Product name:                  | SL1.100.100.40.4.51D.C   |
| Product No.:                   | 98624701                 |
| EAN:                           | 5711498435490            |
| <b>Technical:</b>              |                          |
| Max flow:                      | 1010 US gpm              |
| Head max:                      | 39.37 ft                 |
| Type of impeller:              | S-TUBE                   |
| Maximum particle size:         | 3 15/16 in               |
| Primary shaft seal:            | SIC/SIC                  |
| Secondary shaft seal:          | CARBON/CERAMICS          |
| Approvals on nameplate:        | CE, EN12050-1            |
| Curve tolerance:               | ISO9906:2012 3B2         |
| Cooling jacket:                | without cooling jacket   |
| <b>Materials:</b>              |                          |
| Pump housing:                  | Cast iron (EN-GJL-250)   |
|                                | EN-GJL-250               |
| Impeller:                      | Cast iron (EN-GJL-250)   |
|                                | EN-GJL-250               |
| Motor:                         | EN-GJL-250               |
| <b>Installation:</b>           |                          |
| Maximum ambient temperature:   | 104 °F                   |
| Flange standard:               | DIN                      |
| Pump inlet:                    | 150                      |
| Pump outlet:                   | 100                      |
| Pressure stage:                | PN 10                    |
| Maximum installation depth:    | 65.62 ft                 |
| Inst dry/wet:                  | SUBMERGED                |
| Installation:                  | Vertical                 |
| Frame range:                   | C                        |
| <b>Liquid:</b>                 |                          |
| Pumped liquid:                 | any viscous fluid        |
| Maximum liquid temperature:    | 104 °F                   |
| Density:                       | 62.29 lb/ft <sup>3</sup> |
| <b>Electrical data:</b>        |                          |
| Power input - P1:              | 4.8 kW                   |
| Rated power - P2:              | 5.5 HP                   |
| Main frequency:                | 50 Hz                    |
| Rated voltage:                 | 3 x 380-415 V            |
| Voltage tolerance:             | +10/-10 %                |
| Max starts per. hour:          | 20                       |
| Rated current:                 | 10.1-10.1 A              |
| Starting current:              | 65 A                     |
| Cos phi - power factor:        | 0.72                     |
| Cos phi - p.f. at 3/4 load:    | 0.63                     |
| Cos phi - p.f. at 1/2 load:    | 0.50                     |
| Rated speed:                   | 1464 rpm                 |
| Motor efficiency at full load: | 87.4 %                   |
| Motor efficiency at 3/4 load:  | 87.1 %                   |
| Motor efficiency at 1/2 load:  | 85.0 %                   |
| Number of poles:               | 4                        |
| Start. method:                 | star/delta               |
| Enclosure class (IEC 34-5):    | IP68                     |
| Insulation class (IEC 85):     | H                        |
| Explosion proof:               | no                       |
| Motor protection:              | THERMAL SWITCH           |
| Length of cable:               | 33 ft                    |
| Cable type:                    | LYNIFLEX                 |





Company name:

Created by:

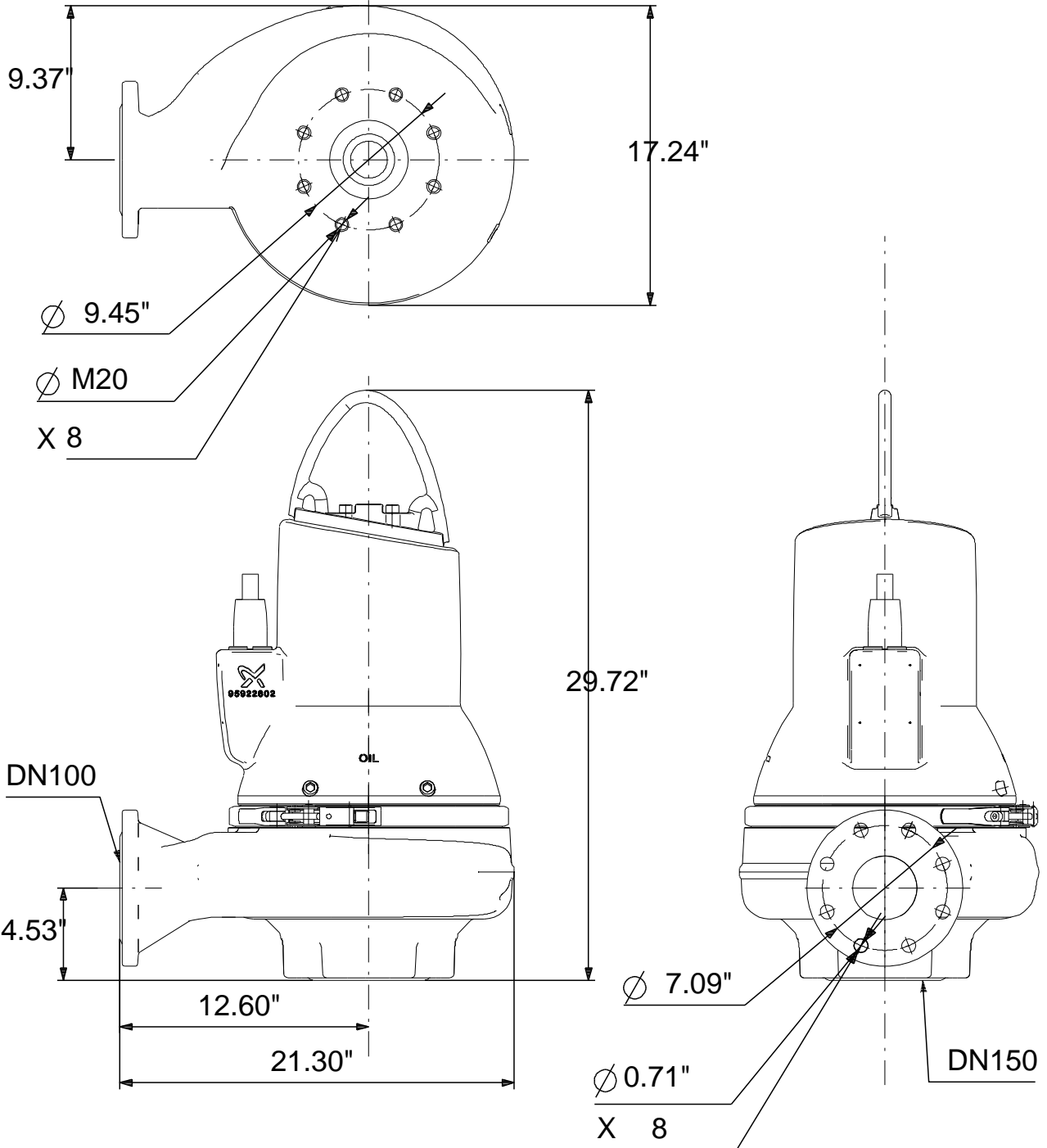
Phone:

Date:

11/13/2018

| Description          | Value                       |
|----------------------|-----------------------------|
| <b>Controls:</b>     |                             |
| Control box:         | not included                |
| Moisture sensor:     | with moisture sensors       |
| Water-in-oil sensor: | without water-in-oil sensor |
| <b>Others:</b>       |                             |
| Net weight:          | 330 lb                      |
| Country of origin:   | HU                          |
| Custom tariff no.:   | 84137021                    |

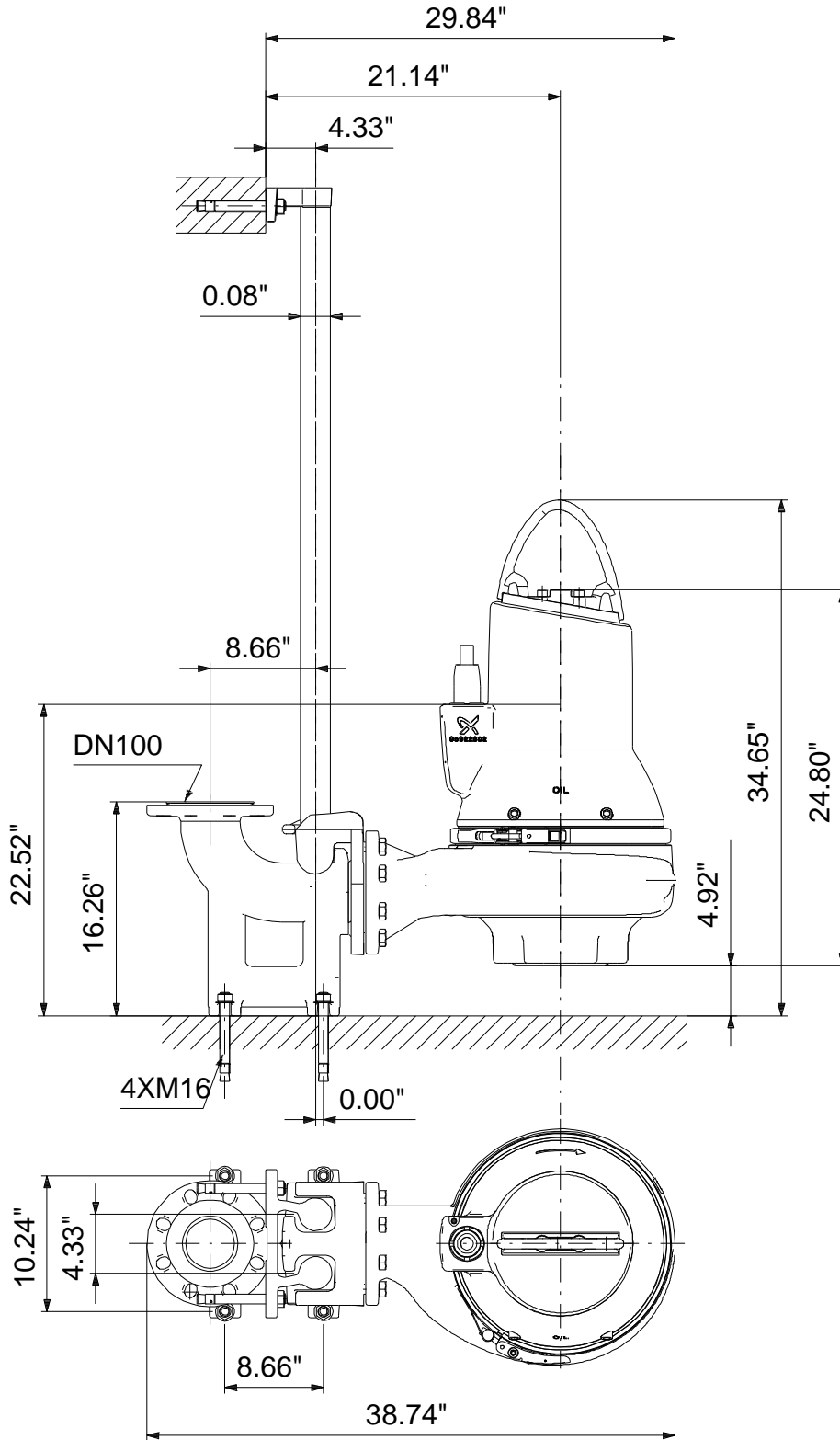
## 98624701 SL1.100.100.40.4.51D.C 50 Hz



160x160

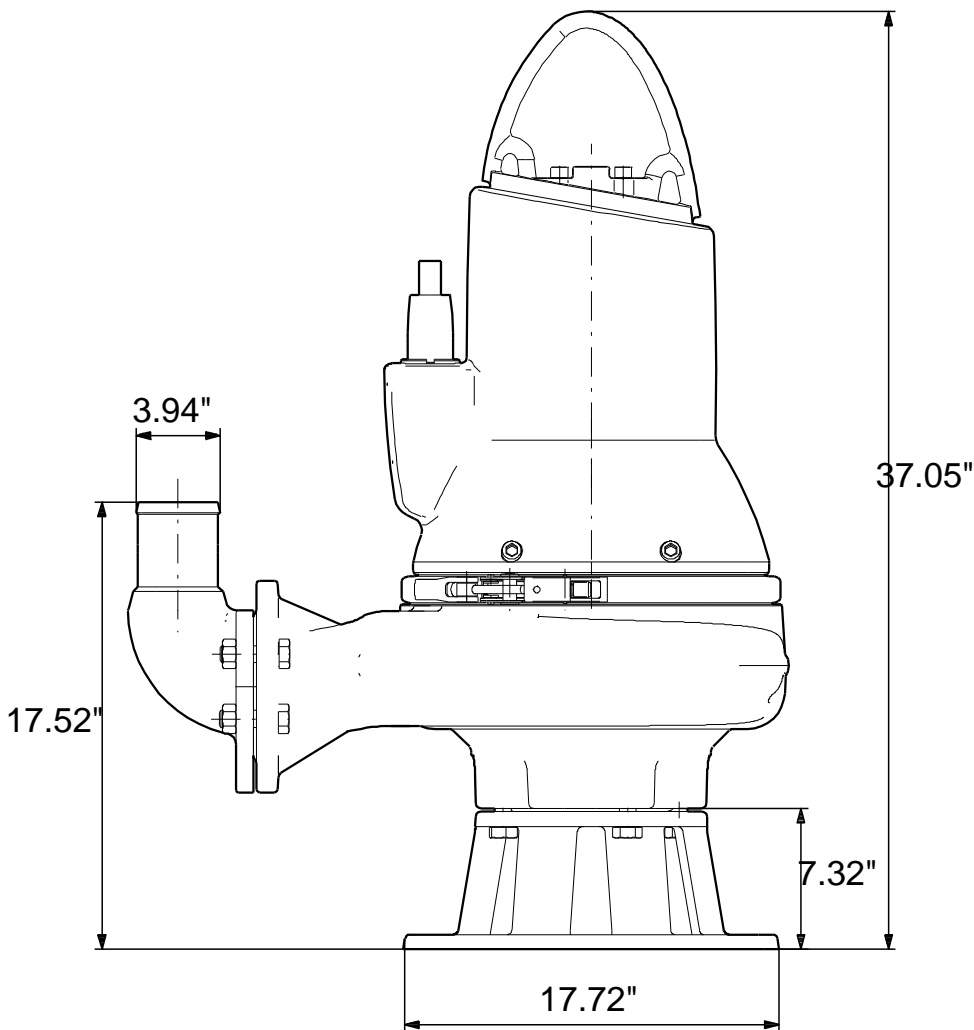
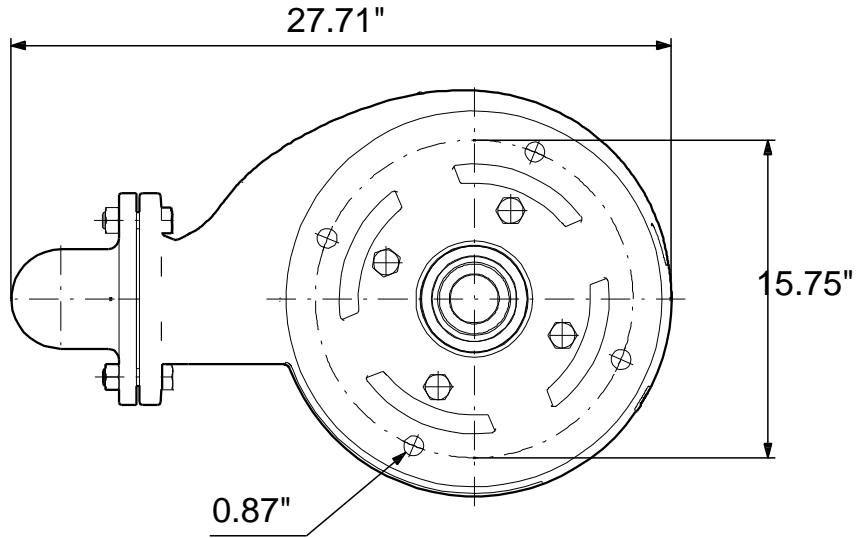
Note! All units are in [mm] unless otherwise stated.  
Disclaimer: This simplified dimensional drawing does not show all details.

## 98624701 SL1.100.100.40.4.51D.C 50 Hz



Note! All units are in [mm] unless otherwise stated.  
Disclaimer: This simplified dimensional drawing does not show all details.

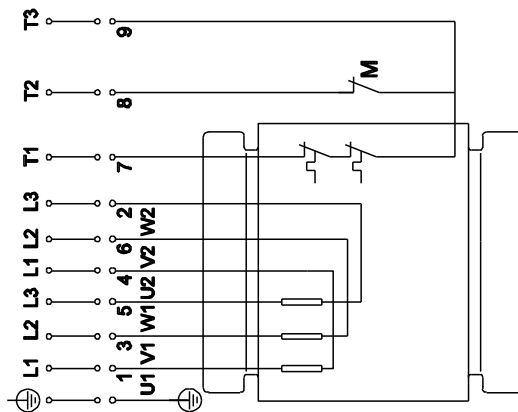
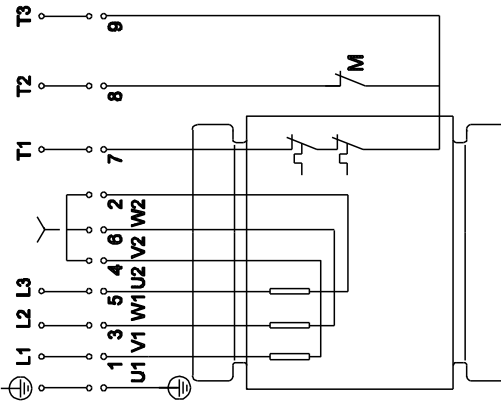
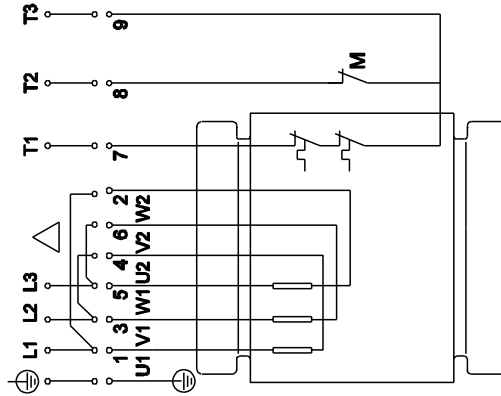
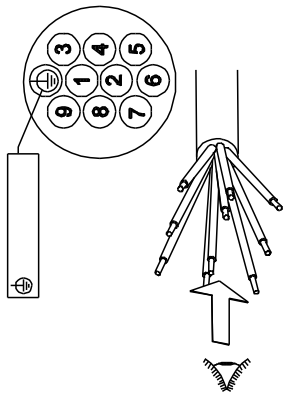
**98624701 SL1.100.100.40.4.51D.C 50 Hz**



Note! All units are in [mm] unless otherwise stated.  
Disclaimer: This simplified dimensional drawing does not show all details.



## 98624701 SL1.100.100.40.4.51D.C 50 Hz



All units are [mm] unless otherwise presented.