

Qty. Description

1 NB 40-250/255 AF2ABQQE



Product No.: [98605465](#)

Non-self-priming, single-stage, centrifugal volute pump designed according to ISO 5199 with dimensions and rated performance according to EN 733 (10 bar).

Flanges are PN 16 with dimensions according to EN 1092-2. The pump has an axial suction port, radial discharge port, horizontal shaft and a back pull-out design enabling removal of the motor, motor stool, cover and impeller without disturbing the pump housing or pipework.

The unbalanced rubber bellows seal is according to DIN EN 12756.

The pump is close-coupled to a fan-cooled asynchronous motor.

Controls:

Frequency converter: NONE

Liquid:

Pumped liquid: Water
 Liquid temperature range: -25 .. 120 °C
 Liquid temperature during operation: 20 °C
 Density: 998.2 kg/m³

Technical:

Rated flow: 65.5 m³/h
 Rated head: 78.54 m
 Actual impeller diameter: 255 mm
 Nominal impeller diameter: 250 mm
 Shaft seal arrangement: Single
 Code for shaft seal: BQQE
 Curve tolerance: ISO9906:2012 3B

Materials:

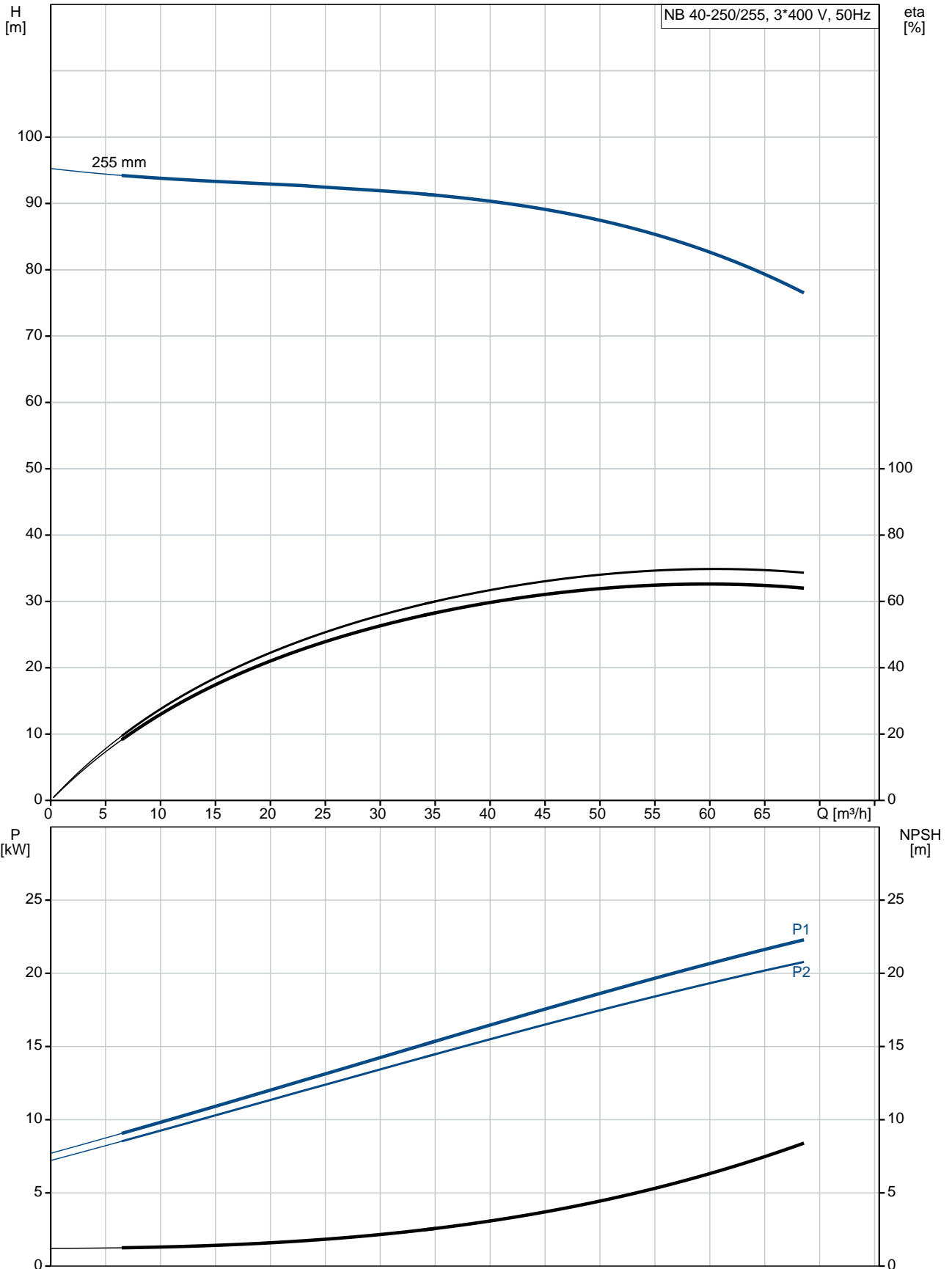
Pump housing: Cast iron
 EN-GJL-250
 ASTM class 35
 Wear ring: Brass
 Impeller: Cast iron
 EN-GJL-200
 ASTM class 30
 Shaft: Stainless steel
 EN 1.4301
 AISI 304

Installation:

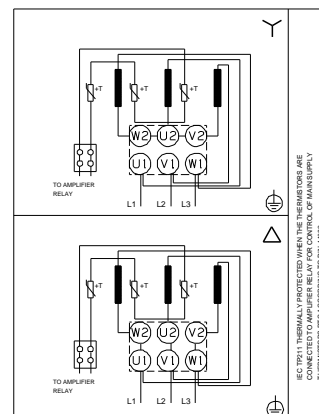
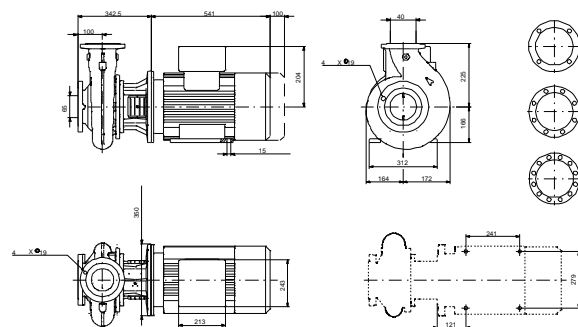
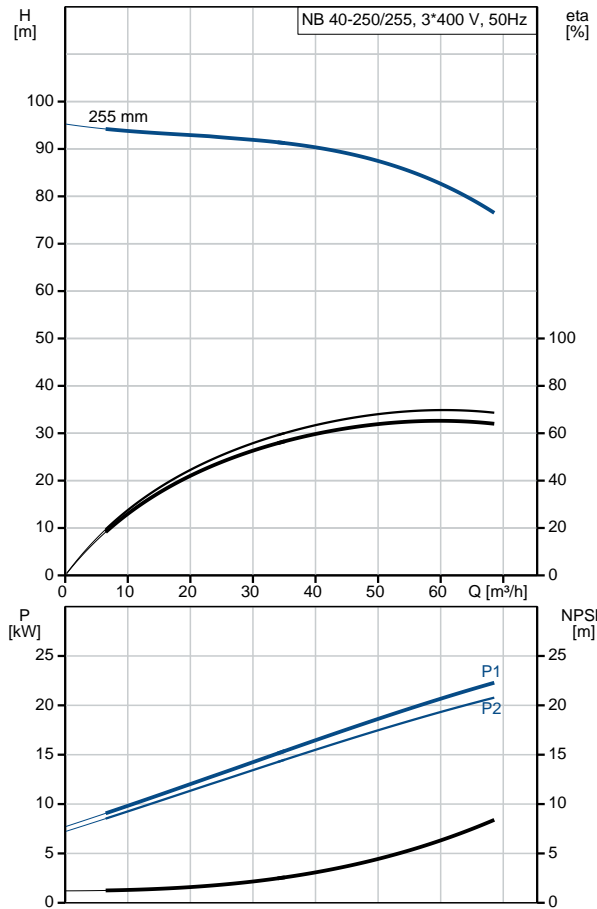
Maximum ambient temperature: 60 °C
 Maximum operating pressure: 16 bar
 Pipe connection standard: EN 1092-2
 Size of inlet connection: DN 65
 Size of outlet connection: DN 40
 Pressure rating for pipe connection: PN 16
 Pump housing with feet: N

| Qty. | Description |
|------|--|
| | <p>Support block: N</p> <p>Electrical data:</p> <p>IE Efficiency class: IE3</p> <p>P2: 22 kW</p> <p>Mains frequency: 50 Hz</p> <p>Rated voltage: 3 x 380-415D/660-690Y V</p> <p>Rated current: 39.5/22.8 A</p> <p>Starting current: 830 %</p> <p>Cos phi - power factor: 0.90-0.90</p> <p>Rated speed: 2950 rpm</p> <p>Efficiency: IE3 92,7%</p> <p>Motor efficiency at full load: 92.7 %</p> <p>Motor efficiency at 3/4 load: 93.7 %</p> <p>Motor efficiency at 1/2 load: 94.4 %</p> <p>Number of poles: 2</p> <p>Enclosure class (IEC 34-5): 55 Dust/Jetting</p> <p>Insulation class (IEC 85): F</p> <p>Others:</p> <p>Minimum efficiency index, MEI $\hat{\%}$: 0.70</p> <p>Net weight: 185 kg</p> <p>Gross weight: 209 kg</p> <p>Shipping volume: 0.707 m³</p> <p>Country of origin: HU</p> <p>Custom tariff no.: 84137051</p> |

98605465 NB 40-250/255 AF2ABQQE 50 Hz



| Description | Value |
|--------------------------------------|--|
| General information: | |
| Product name: | NB 40-250/255 AF2ABQQE |
| Product No: | 98605465 |
| EAN number: | 5711498079083 |
| Price: | 4.263,00 GBP |
| Technical: | |
| Rated flow: | 65.5 m ³ /h |
| Rated head: | 78.54 m |
| Actual impeller diameter: | 255 mm |
| Nominal impeller diameter: | 250 mm |
| Shaft seal arrangement: | Single |
| Shaft diameter: | 24 mm |
| Code for shaft seal: | BQQE |
| Curve tolerance: | ISO9906:2012 3B |
| Pump version: | A |
| Materials: | |
| Pump housing: | Cast iron EN-GJL-250 ASTM class 35 |
| Wear ring: | Brass |
| Impeller: | Cast iron EN-GJL-200 ASTM class 30 |
| Shaft: | Stainless steel EN 1.4301 AISI 304 |
| Material code: | A |
| Installation: | |
| Maximum ambient temperature: | 60 °C |
| Maximum operating pressure: | 16 bar |
| Pipe connection standard: | EN 1092-2 |
| Size of inlet connection: | DN 65 |
| Size of outlet connection: | DN 40 |
| Pressure rating for pipe connection: | PN 16 |
| Pump housing with feet: | N |
| Support block: | N |
| Connect code: | F2 |
| Liquid: | |
| Pumped liquid: | Water |
| Liquid temperature range: | -25 .. 120 °C |
| Liquid temperature during operation: | 20 °C |
| Density: | 998.2 kg/m ³ |
| Electrical data: | |
| IE Efficiency class: | IE3 |
| P2: | 22 kW |
| Mains frequency: | 50 Hz |
| Rated voltage: | 3 x 380-415D/660-690 V |
| Rated current: | 39.5/22.8 A |
| Starting current: | 830 % |
| Cos phi - power factor: | 0.90-0.90 |
| Rated speed: | 2950 rpm |
| Efficiency: | IE3 92,7% |
| Motor efficiency at full load: | 92.7 % |
| Motor efficiency at 3/4 load: | 93.7 % |
| Motor efficiency at 1/2 load: | 94.4 % |
| Number of poles: | 2 |
| Enclosure class (IEC 34-5): | 55 Dust/Jetting |
| Insulation class (IEC 85): | F |





Company name:

Created by:

Phone:

Date:

21/03/2019

| Description | Value |
|---|----------------------|
| Motor protec: | PTC |
| Motor No: | 87470023 |
| Mount. design. acc. IEC 34-7: | IM B35 |
| Controls: | |
| Frequency converter: | NONE |
| Others: | |
| Minimum efficiency index, MEI η ‰: | 0.70 |
| Net weight: | 185 kg |
| Gross weight: | 209 kg |
| Shipping volume: | 0.707 m ³ |
| Country of origin: | HU |
| Custom tariff no.: | 84137051 |

98605465 NB 40-250/255 AF2ABQQE 50 Hz

