

Qty. Description

1 **NBE 40-250/255AF2ABQQE**



Note! Product picture may differ from actual product

Product No.: [98605464](#)

Non-self-priming, single-stage, centrifugal volute pump designed according to ISO 5199 with dimensions and rated performance according to EN 733 (10 bar).

Flanges are PN 16 with dimensions according to EN 1092-2. The pump has an axial suction port, radial discharge port, horizontal shaft and a back pull-out design enabling removal of the motor, motor stool, cover and impeller without disturbing the pump housing or pipework.

The unbalanced rubber bellows seal is according to DIN EN 12756.

The pump is close-coupled to a fan-cooled asynchronous motor.

The motor includes a frequency converter and PI controller in the motor terminal box. This enables continuously variable control of the motor speed, which again enables adaptation of the performance to a given requirement.

Controls:

Frequency converter: Built-in

Liquid:

Pumped liquid: Water
 Liquid temperature range: -25 .. 120 °C
 Selected liquid temperature: 20 °C
 Density at selected liquid temperature: 998.2 kg/m³

Technical:

Pump speed on which pump data are based: 2940 rpm
 Rated flow: 65.3 m³/h
 Rated head: 78.01 m
 Actual impeller diameter: 255 mm
 Nominal impeller diameter: 250 mm
 Shaft seal arrangement: Single
 Code for shaft seal: BQQE
 Curve tolerance: ISO9906:2012 3B

Materials:

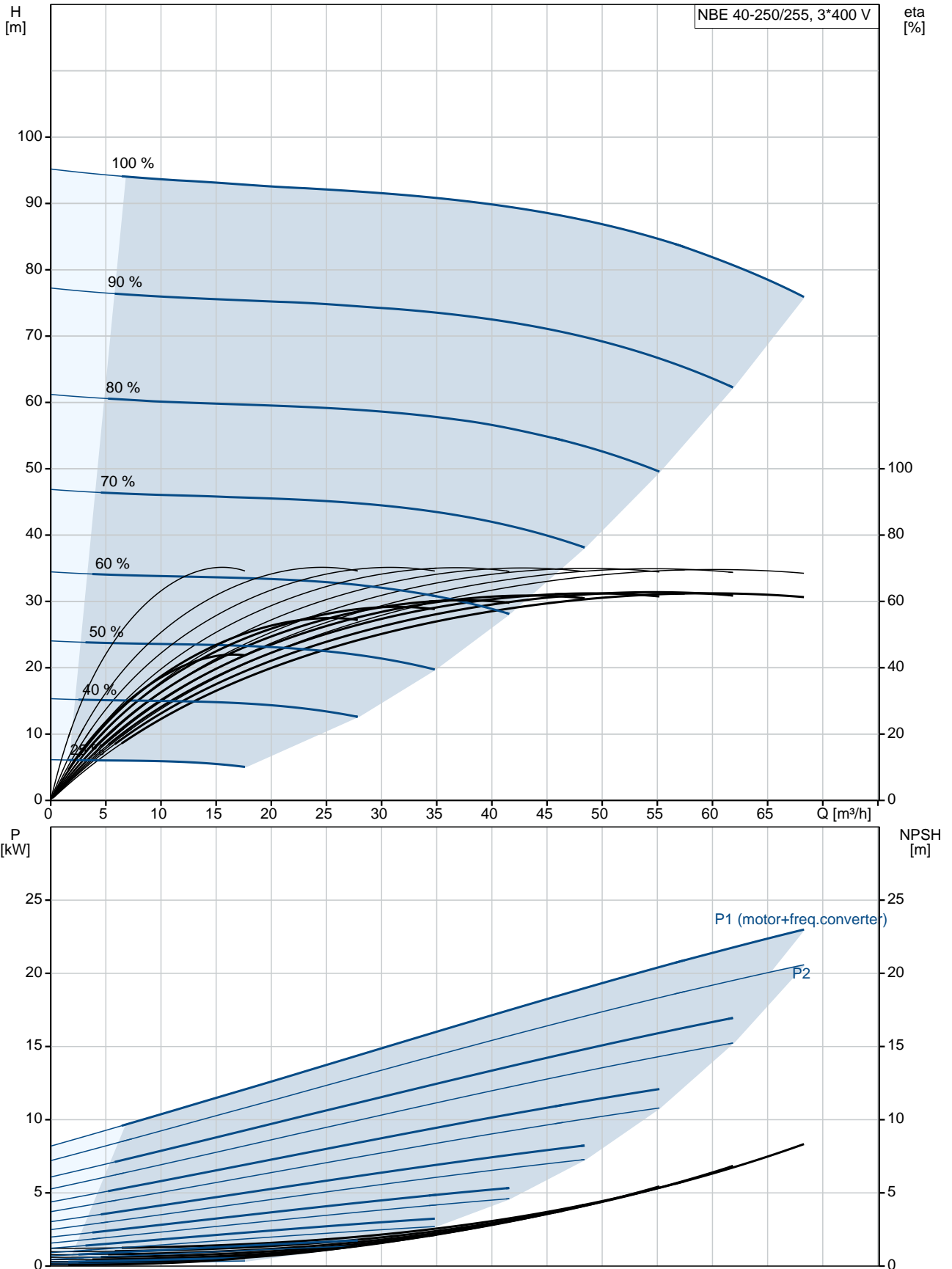
Pump housing: Cast iron
 EN-GJL-250
 ASTM class 35
 Wear ring: Brass
 Impeller: Cast iron
 EN-GJL-200
 ASTM class 30
 Shaft: Stainless steel
 EN 1.4301
 AISI 304

Installation:

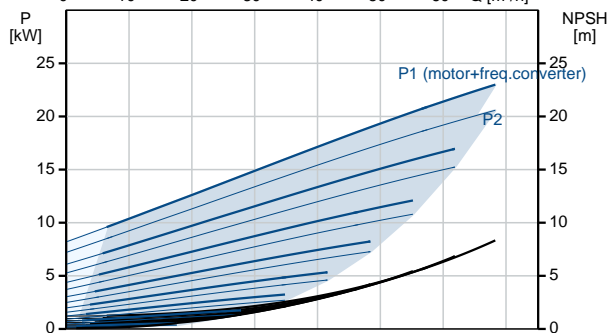
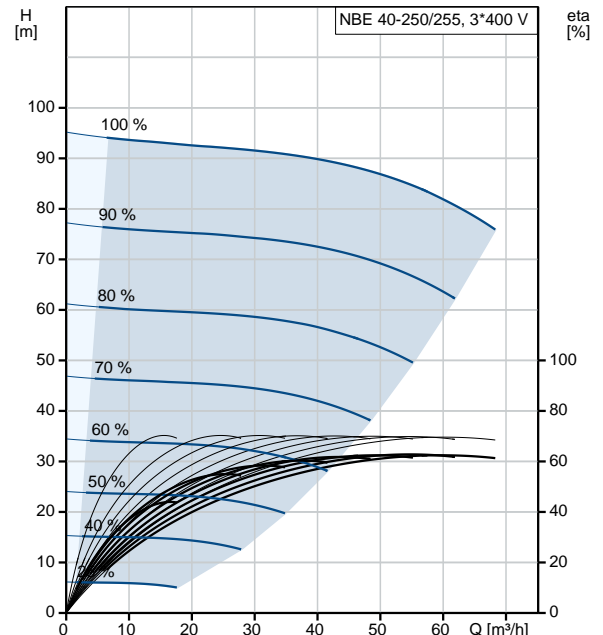
Maximum ambient temperature: 40 °C
 Maximum operating pressure: 16 bar
 Pipe connection standard: EN 1092-2
 Size of inlet connection: DN 65

| Qty. | Description |
|------|---|
| | <p>Size of outlet connection: DN 40 Pressure rating for pipe connection: PN 16 Pump housing with feet: N Support block: N</p> <p>Electrical data: IE Efficiency class: IE3 P2: 22 kW Mains frequency: 50 Hz Rated voltage: 3 x 380-480 V Rated current: 43.5-35.0 A Cos phi - power factor: 0.91-0.90 Rated speed: 480-3540 rpm Efficiency: IE3 92,7% Motor efficiency at full load: 92.7 % Number of poles: 2 Enclosure class (IEC 34-5): IP55 Insulation class (IEC 85): F Motor No: 85901267</p> <p>Others: Minimum efficiency index, MEI η_{me}: 0.70 Net weight: 217 kg Gross weight: 241 kg Shipping volume: 0.707 m³ Country of origin: HU Custom tariff no.: 84137051</p> |

98605464 NBE 40-250/255AF2ABQQE 50 Hz



| Description | Value |
|--|--|
| General information: | |
| Product name: | NBE 40-250/255AF2ABQQE |
| Product No: | 98605464 |
| EAN number: | 5711498079076 |
| Price: | 9.553,00 GBP |
| Technical: | |
| Pump speed on which pump data are based: | 2940 rpm |
| Rated flow: | 65.3 m ³ /h |
| Rated head: | 78.01 m |
| Actual impeller diameter: | 255 mm |
| Nominal impeller diameter: | 250 mm |
| Shaft seal arrangement: | Single |
| Shaft diameter: | 24 mm |
| Code for shaft seal: | BQQE |
| Curve tolerance: | ISO9906:2012 3B |
| Pump version: | A |
| Materials: | |
| Pump housing: | Cast iron EN-GJL-250 ASTM class 35 |
| Wear ring: | Brass |
| Impeller: | Cast iron EN-GJL-200 ASTM class 30 |
| Shaft: | Stainless steel EN 1.4301 AISI 304 |
| Material code: | A |
| Code for rubber: | E |
| Installation: | |
| Maximum ambient temperature: | 40 °C |
| Maximum operating pressure: | 16 bar |
| Pipe connection standard: | EN 1092-2 |
| Size of inlet connection: | DN 65 |
| Size of outlet connection: | DN 40 |
| Pressure rating for pipe connection: | PN 16 |
| Pump housing with feet: | N |
| Support block: | N |
| Connect code: | F2 |
| Liquid: | |
| Pumped liquid: | Water |
| Liquid temperature range: | -25 .. 120 °C |
| Selected liquid temperature: | 20 °C |
| Density at selected liquid temperature: | 998.2 kg/m ³ |
| Electrical data: | |
| IE Efficiency class: | IE3 |
| P2: | 22 kW |
| Mains frequency: | 50 Hz |
| Rated voltage: | 3 x 380-480 V |
| Rated current: | 43.5-35.0 A |
| Cos phi - power factor: | 0.91-0.90 |
| Rated speed: | 480-3540 rpm |
| Efficiency: | IE3 92,7% |
| Motor efficiency at full load: | 92.7 % |
| Number of poles: | 2 |
| Enclosure class (IEC 34-5): | IP55 |
| Insulation class (IEC 85): | F |





Company name:

Created by:

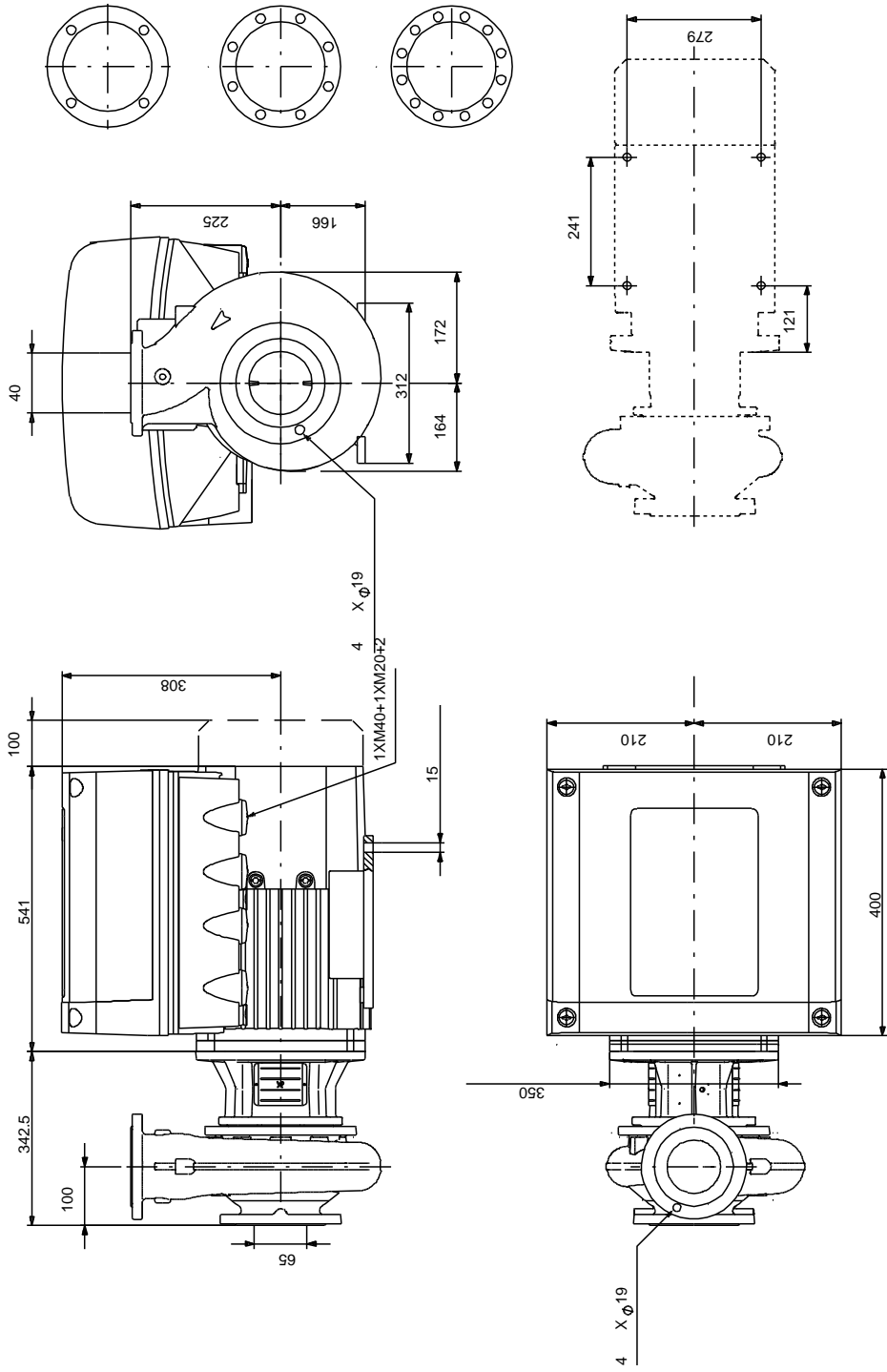
Phone:

Date:

16/05/2019

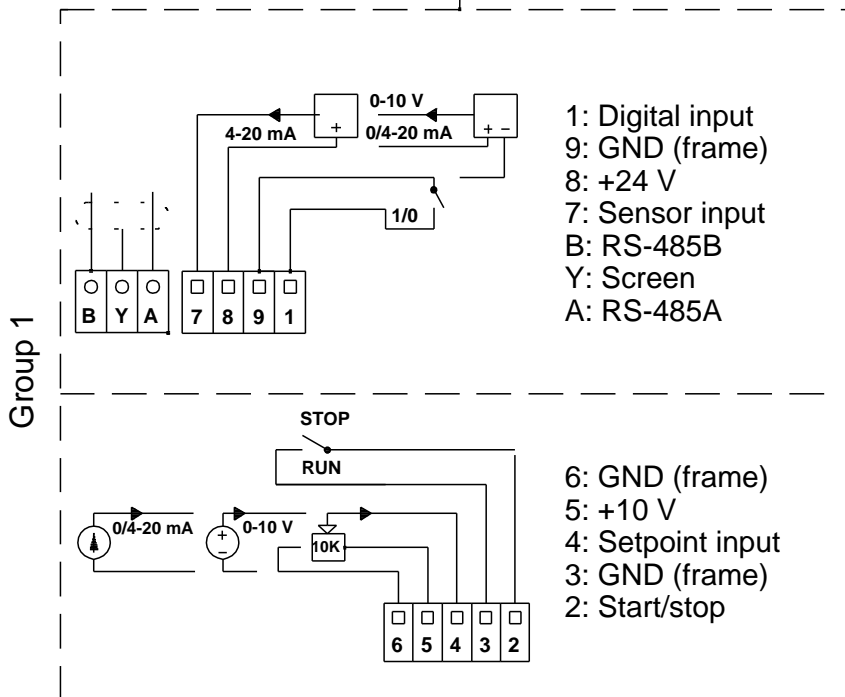
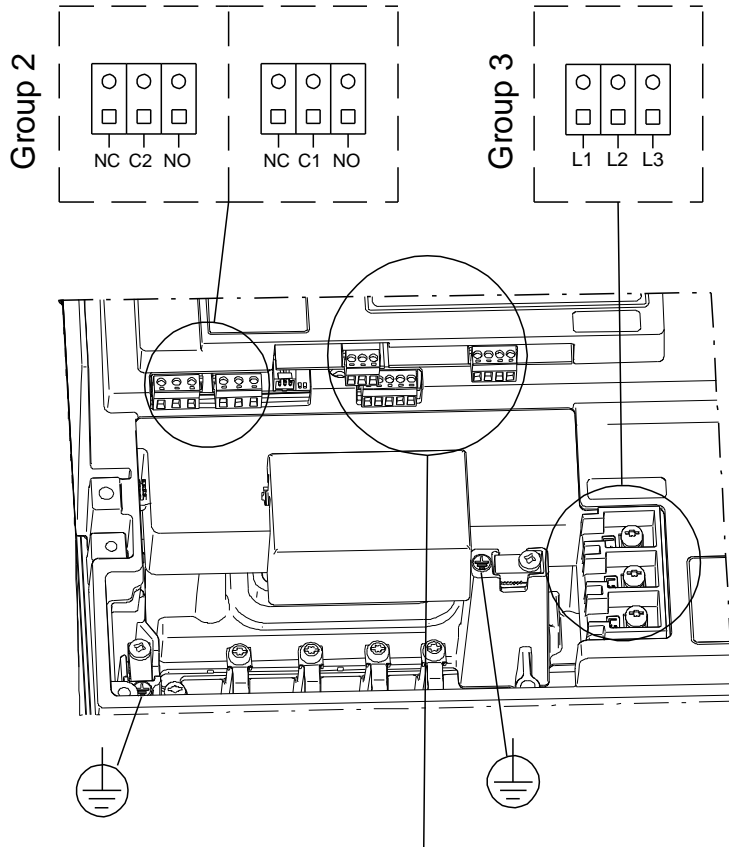
| Description | Value |
|---|----------------------|
| Motor protec: | YES |
| Motor No: | 85901267 |
| Mount. design. acc. IEC 34-7: | IM B35 |
| Controls: | |
| Control panel: | Standard |
| Function Module: | PUMP I/O |
| Frequency converter: | Built-in |
| Others: | |
| Minimum efficiency index, MEI $\eta_{\%}$: | 0.70 |
| Net weight: | 217 kg |
| Gross weight: | 241 kg |
| Shipping volume: | 0.707 m ³ |
| Country of origin: | HU |
| Custom tariff no.: | 84137051 |

98605464 NBE 40-250/255AF2ABQQE 50 Hz



Note! All units are in [mm] unless others are stated.
 Disclaimer: This simplified dimensional drawing does not show all details.

98605464 NBE 40-250/255AF2ABQQE 50 Hz



Note! All units are in [mm] unless others are stated.