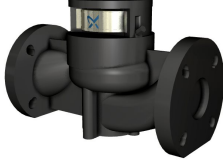
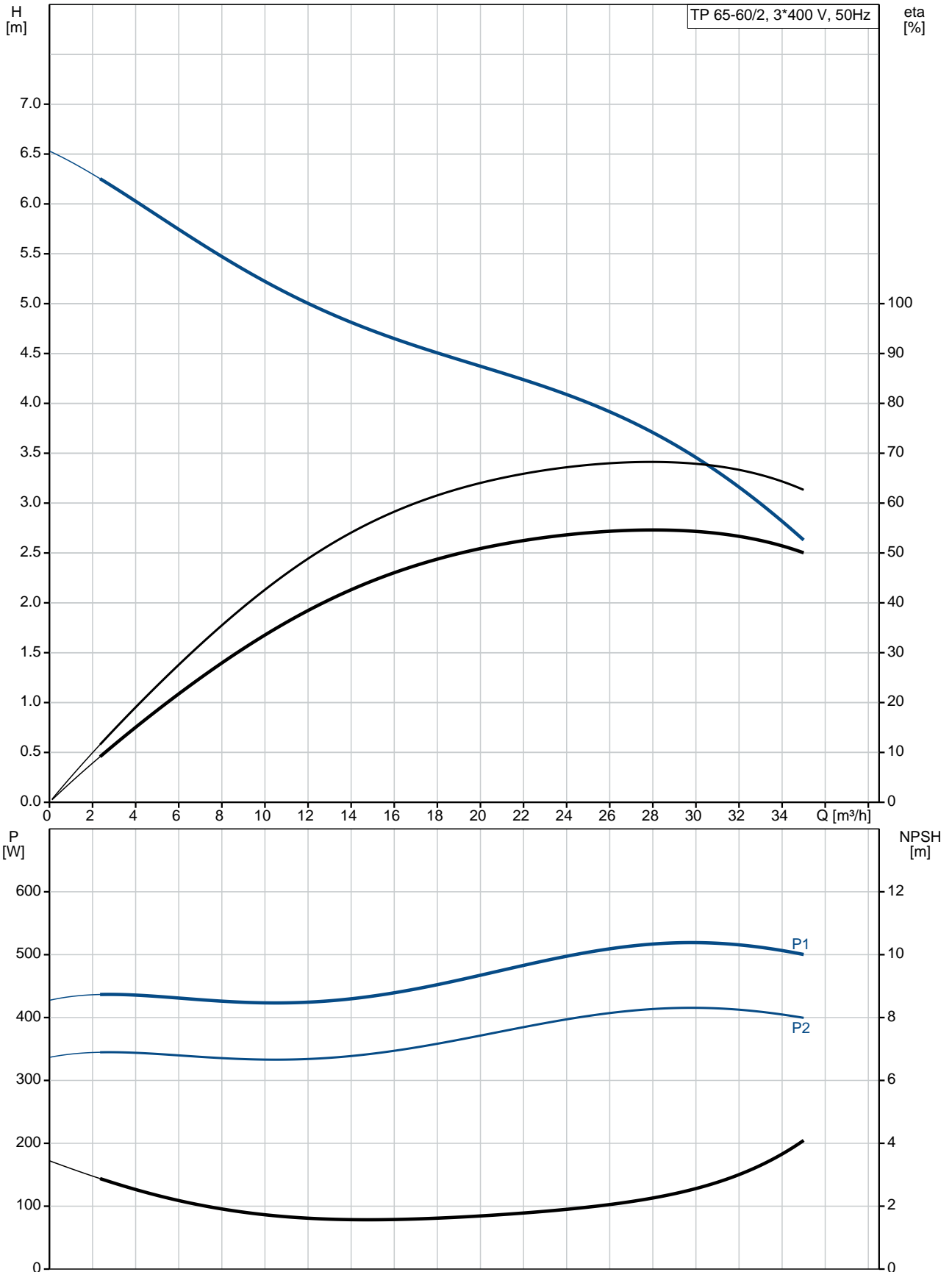


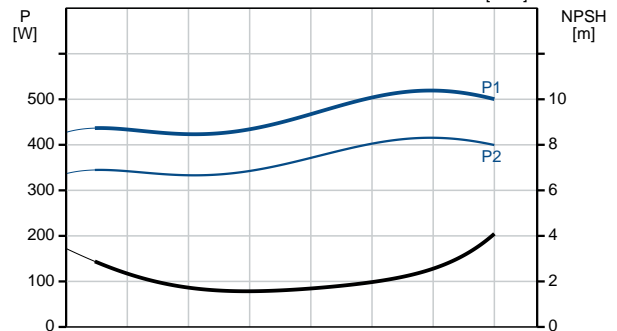
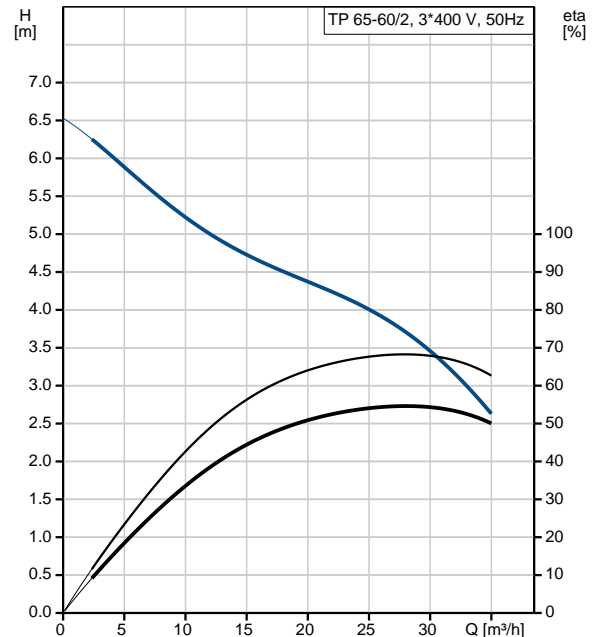
Position	Qty.	Description
	1	<p><b>TP 65-60/2 A-F-A-BQQE</b></p>  <p>Product No.: <a href="#">98509608</a></p> <p>Single-stage, close-coupled, volute pump with in-line suction and discharge ports of identical diameter. The pump is of the top-pull-out design, i.e. the power head (motor, pump head and impeller) can be removed for maintenance or service while the pump housing remains in the pipework.</p> <p>The pump is fitted with an unbalanced rubber bellows seal. The shaft seal is according to EN 12756. Pipework connection is via PN 6/10 DIN flanges (EN 1092-2 and ISO 7005-2).</p> <p>The pump is fitted with a fan-cooled asynchronous motor.</p> <p><b>Liquid:</b></p> <p>Pumped liquid: Water            Liquid temperature range: -25 .. 120 °C            Liquid temperature during operation: 20 °C            Density: 998.2 kg/m<sup>3</sup></p> <p><b>Technical:</b></p> <p>Speed for pump data: 2800 rpm            Rated flow: 26.7 m<sup>3</sup>/h            Rated head: 3.85 m            Actual impeller diameter: 76 mm            Primary shaft seal: BQQE            Curve tolerance: ISO9906:2012 3B</p> <p><b>Materials:</b></p> <p>Pump housing: Cast iron            EN-JL1040            ASTM A48-40 B</p> <p>Impeller: Stainless steel            DIN W.-Nr. 1.4301            AISI 304</p> <p><b>Installation:</b></p> <p>Range of ambient temperature: -30 .. 40 °C            Maximum operating pressure: 10 bar            Flange standard: DIN            Pipe connection: DN 65            Pump inlet: DN 65            Pump outlet: DN 65            Pressure rating: PN 6/10            Port-to-port length: 340 mm            Flange size for motor: FT85</p> <p><b>Electrical data:</b></p> <p>Motor type: 71B            IE Efficiency class: IE3            Rated power - P2: 0.55 kW            Power (P2) required by pump: 0.55 kW            Mains frequency: 50 Hz</p>

Position	Qty.	Description
		<p>Rated voltage: 3 x 220-240D/380-415Y V</p> <p>Rated current: 2,50/1,44 A</p> <p>Starting current: 580-620 %</p> <p>Cos phi - power factor: 0,80-0,70</p> <p>Rated speed: 2830-2850 rpm</p> <p>Efficiency: IE3 77,8%</p> <p>Motor efficiency at full load: 77.8 %</p> <p>Motor efficiency at 3/4 load: 81.5 %</p> <p>Motor efficiency at 1/2 load: 79.5 %</p> <p>Number of poles: 2</p> <p>Enclosure class (IEC 34-5): 55 Dust/Jetting</p> <p>Insulation class (IEC 85): F</p> <p><b>Others:</b></p> <p>Minimum efficiency index, MEI : 0.70</p> <p>ErP status: EuP Standalone/Prod.</p> <p>Net weight: 26.1 kg</p> <p>Gross weight: 29.6 kg</p> <p>Shipping volume: 0.06 m<sup>3</sup></p> <p>Danish VVS No.: VVS NO 38 1814.060</p> <p>Norwegian NRF no.: NRF NO 9043573</p>

## 98509608 TP 65-60/2 50 Hz



Description	Value
<b>General information:</b>	
Product name:	TP 65-60/2 A-F-A-BQQE
Product No:	98509608
EAN number:	5711496338281
<b>Technical:</b>	
Speed for pump data:	2800 rpm
Rated flow:	26.7 m³/h
Rated head:	3.85 m
Head max:	60 dm
Actual impeller diameter:	76 mm
Primary shaft seal:	BQQE
Curve tolerance:	ISO9906:2012 3B
Pump version:	A
Model:	A
<b>Materials:</b>	
Pump housing:	Cast iron EN-JL1040 ASTM A48-40 B
Impeller:	Stainless steel DIN W.-Nr. 1.4301 AISI 304
Material code:	A
<b>Installation:</b>	
Range of ambient temperature:	-30 .. 40 °C
Maximum operating pressure:	10 bar
Flange standard:	DIN
Connect code:	F
Pipe connection:	DN 65
Pump inlet:	DN 65
Pump outlet:	DN 65
Pressure rating:	PN 6/10
Port-to-port length:	340 mm
Flange size for motor:	FT85
<b>Liquid:</b>	
Pumped liquid:	Water
Liquid temperature range:	-25 .. 120 °C
Liquid temperature during operation:	20 °C
Density:	998.2 kg/m³
<b>Electrical data:</b>	
Motor type:	71B
IE Efficiency class:	IE3
Rated power - P2:	0.55 kW
Power (P2) required by pump:	0.55 kW
Mains frequency:	50 Hz
Rated voltage:	3 x 220-240D/380-415 Y V
Rated current:	2,50/1,44 A
Starting current:	580-620 %
Cos phi - power factor:	0,80-0,70
Rated speed:	2830-2850 rpm
Efficiency:	IE3 77,8%
Motor efficiency at full load:	77.8 %
Motor efficiency at 3/4 load:	81.5 %
Motor efficiency at 1/2 load:	79.5 %
Number of poles:	2





Company name:

Created by:

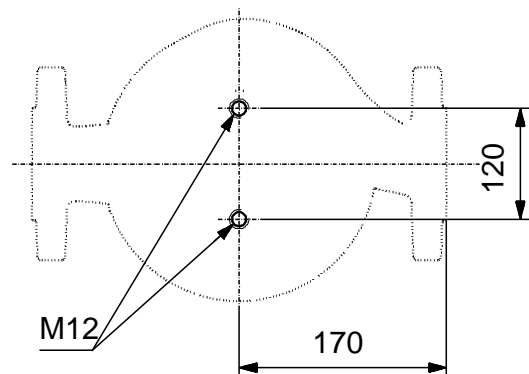
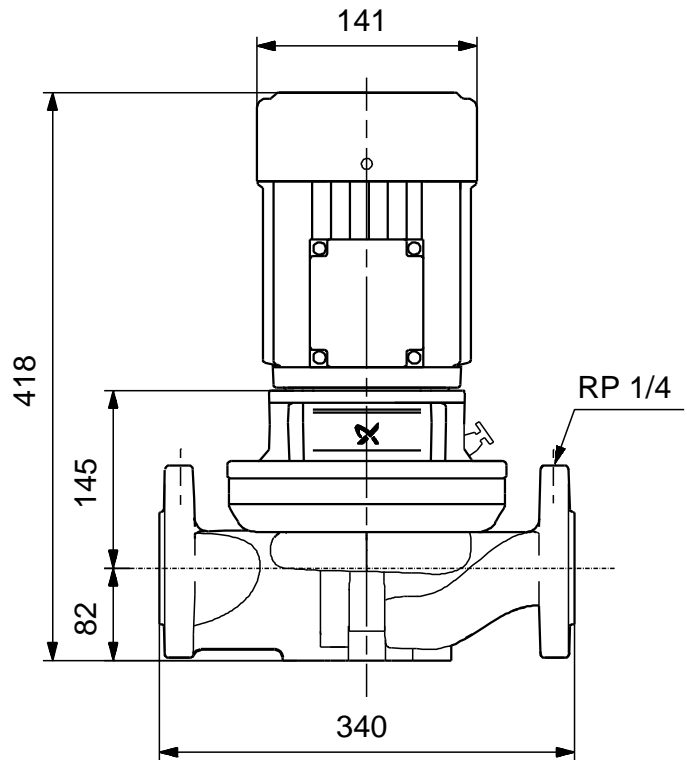
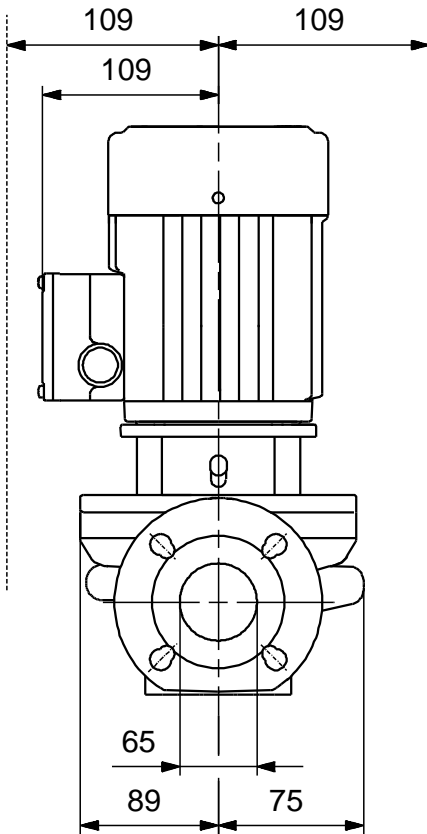
Phone:

Date:

26/01/2018

Description	Value
Enclosure class (IEC 34-5):	55 Dust/Jetting
Insulation class (IEC 85):	F
Motor protec:	NONE
Motor No:	85805103
<b>Others:</b>	
Minimum efficiency index, MEI :	0.70
ErP status:	EuP Standalone/Prod.
Net weight:	26.1 kg
Gross weight:	29.6 kg
Shipping volume:	0.06 m <sup>3</sup>
Danish VVS No.:	VVS NO 38 1814.060
Norwegian NRF no.:	NRF NO 9043573

## 98509608 TP 65-60/2 50 Hz



Note! All units are in [mm] unless others are stated.  
Disclaimer: This simplified dimensional drawing does not show all details.

**98509608 TP 65-60/2 50 Hz**



98.3169

Note! All units are in [mm] unless others are stated.