
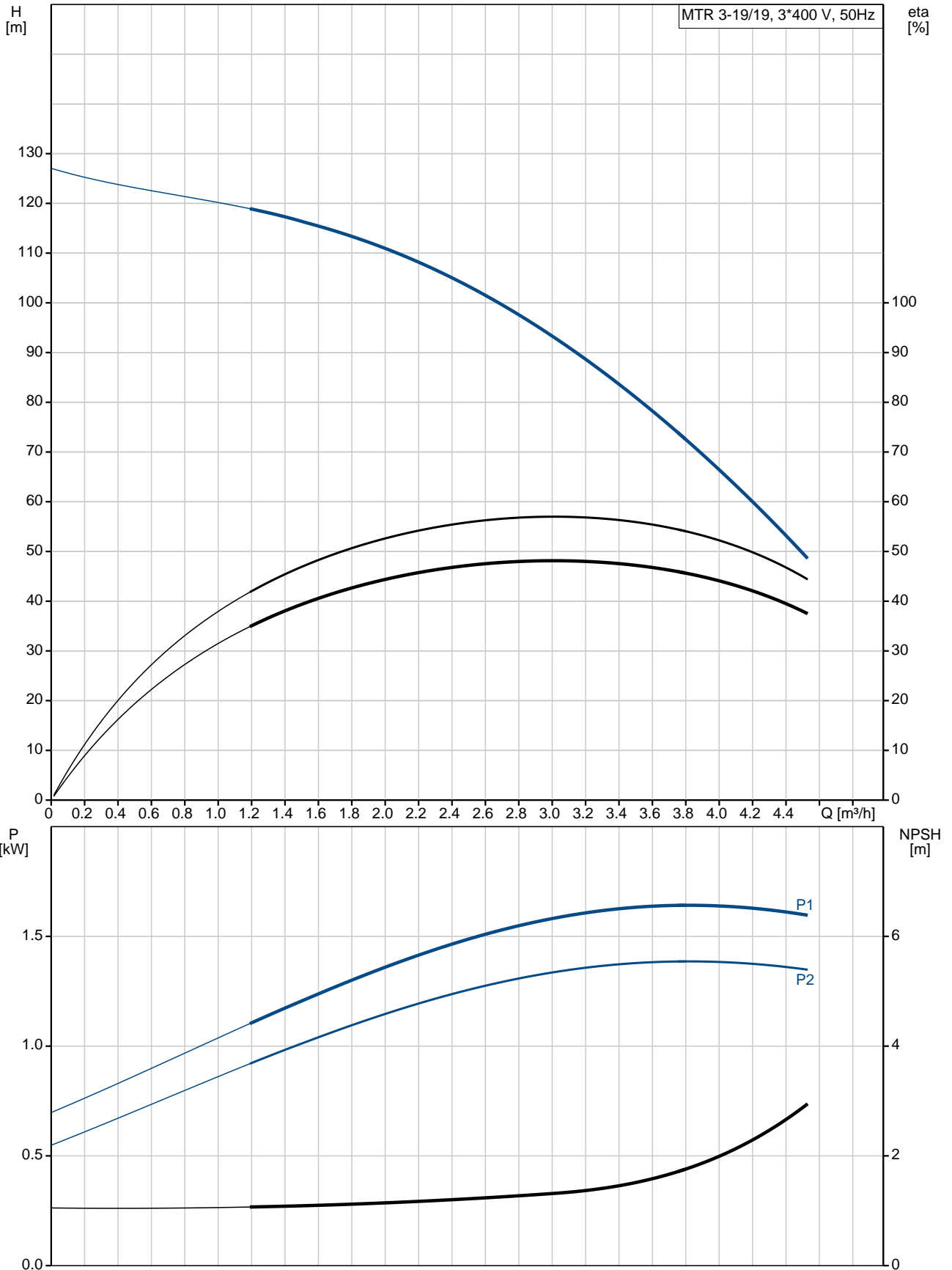


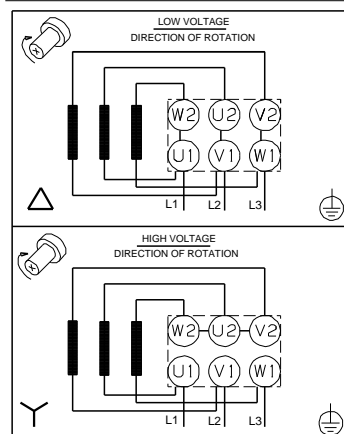
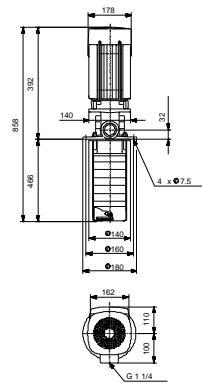
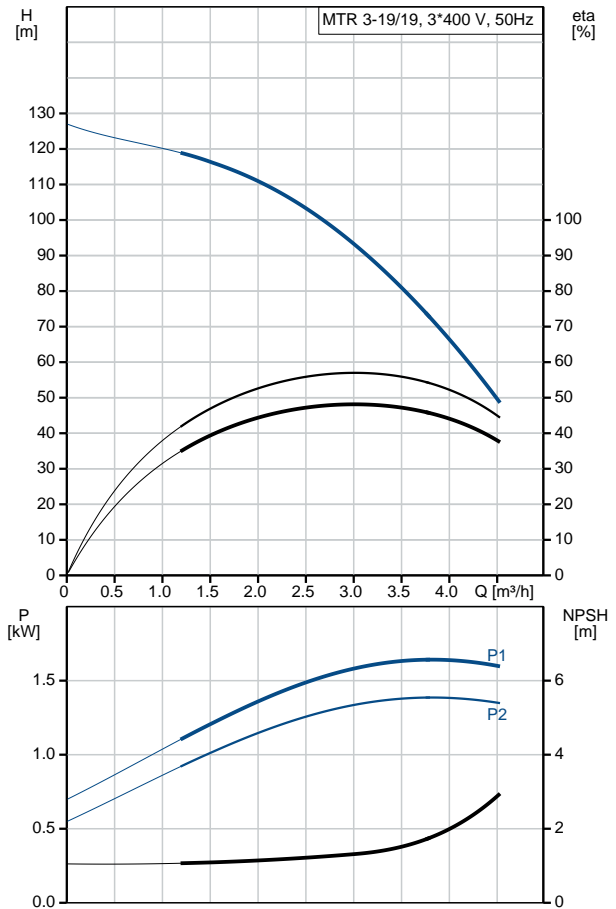
Qty.	Description
1	<p data-bbox="199 338 510 367">MTR 3-19/19 A-W-A-HUUV</p>  <p data-bbox="199 660 470 689">Product No.: 98494988</p> <p data-bbox="199 719 1173 779">Multistage, immersible, self-priming, centrifugal pump for vertical installation in tanks etc. The pump head and base are in cast iron – all other wetted parts are in stainless steel.</p> <p data-bbox="199 779 678 808">The pump has the following characteristics:</p> <ul data-bbox="239 808 1141 929" style="list-style-type: none"> • Installation length according to DIN 5440. • Impellers, intermediate chambers and spline shaft are made of Stainless steel. • Mechanical shaft seal according to EN 12756. • Power transmission via cast-iron split coupling. <p data-bbox="199 958 1189 1019">A cartridge shaft seal ensures high reliability, safe handling, and easy access and service. The pump is fitted with a 3-phase, fan-cooled asynchronous motor.</p> <p data-bbox="199 1108 638 1169">Controls: Frequency converter: NONE</p> <p data-bbox="199 1198 774 1348">Liquid: Pumped liquid: Water Liquid temperature range: -10 .. 90 °C Selected liquid temperature: 20 °C Density at selected liquid temperature: 998.2 kg/m³</p> <p data-bbox="199 1377 821 1639">Technical: Pump speed on which pump data are based: 2896 rpm Rated flow: 3 m³/h Rated head: 91.8 m Chambers: 19 Drainage back to tank: N Pump orientation: Vertical Code for shaft seal: HUUV Curve tolerance: ISO9906:2012 3B</p> <p data-bbox="199 1668 805 1877">Materials: Pump head: Cast iron EN 1561 EN-GJL-200 ASTM A48-25B Impeller: Stainless steel EN 1.4301 AISI 304</p> <p data-bbox="199 1906 726 2087">Installation: Maximum ambient temperature: 60 °C Maximum operating pressure: 25 bar Max pressure at stated temp: 25 bar / 90 °C Type of connection: G Size of outlet connection: 1 1/4 inch</p>

Qty.	Description
	Immersion depth: 466 mm Flange size for motor: FT115 Electrical data: Motor standard: IEC Motor type: 90SB IE Efficiency class: IE3 Rated power - P2: 1.5 kW Mains frequency: 50 Hz Rated voltage: 3 x 220-240D/380-415Y V Rated current: 5.45/3.15 A Starting current: 850-930 % Cos phi - power factor: 0.87-0.82 Rated speed: 2890-2910 rpm Efficiency: IE3 84,2% Motor efficiency at full load: 84.2 % Motor efficiency at 3/4 load: 84.5 % Motor efficiency at 1/2 load: 83.1 % Number of poles: 2 Enclosure class (IEC 34-5): 55 Dust/Jetting Insulation class (IEC 85): F Motor No: 85U05906 Others: Terminal box position: 6 Minimum efficiency index, MEI : 0.70 Net weight: 25.2 kg Gross weight: 28.8 kg Shipping volume: 0.08 m ³ Country of origin: HU Custom tariff no.: 84137075

98494988 MTR 3-19/19 A-W-A-HUUV 50 Hz



Description	Value
General information:	
Product name:	MTR 3-19/19 A-W-A-HUUV
Product No:	98494988
EAN number:	5711496110108 5711496110108
Price:	1.497,00 GBP
Technical:	
Pump speed on which pump data are based:	2896 rpm
Rated flow:	3 m ³ /h
Rated head:	91.8 m
Chambers:	19
Impellers:	19
Number of reduced-diameter impellers:	0
Drainage back to tank:	N
Pump orientation:	Vertical
Code for shaft seal:	HUUV
Curve tolerance:	ISO9906:2012 3B
Pump version:	A
Model:	A
Materials:	
Pump head:	Cast iron EN 1561 EN-GJL-200 ASTM A48-25B
Impeller:	Stainless steel EN 1.4301 AISI 304
Material code:	A
Installation:	
Maximum ambient temperature:	60 °C
Maximum operating pressure:	25 bar
Max pressure at stated temp:	25 bar / 90 °C
Type of connection:	G
Size of outlet connection:	1 1/4 inch
Immersion depth:	466 mm
Flange size for motor:	FT115
Connect code:	W
Liquid:	
Pumped liquid:	Water
Liquid temperature range:	-10 .. 90 °C
Selected liquid temperature:	20 °C
Density at selected liquid temperature:	998.2 kg/m ³
Electrical data:	
Motor standard:	IEC
Motor type:	90SB
IE Efficiency class:	IE3
Rated power - P2:	1.5 kW
Mains frequency:	50 Hz
Rated voltage:	3 x 220-240D/380-415Y V
Rated current:	5.45/3.15 A
Starting current:	850-930 %
Cos phi - power factor:	0.87-0.82
Rated speed:	2890-2910 rpm
Efficiency:	IE3 84,2%
Motor efficiency at full load:	84.2 %
Motor efficiency at 3/4 load:	84.5 %
Motor efficiency at 1/2 load:	83.1 %





Company name:

Created by:

Phone:

Date: 15/10/2019

Description	Value
Number of poles:	2
Enclosure class (IEC 34-5):	55 Dust/Jetting
Insulation class (IEC 85):	F
Motor protec:	NONE
Motor No:	85U05906
Controls:	
Frequency converter:	NONE
Others:	
Terminal box position:	6
Minimum efficiency index, MEI :	0.70
Net weight:	25.2 kg
Gross weight:	28.8 kg
Shipping volume:	0.08 m ³
Country of origin:	HU
Custom tariff no.:	84137075

98494988 MTR 3-19/19 A-W-A-HUUV 50 Hz

