
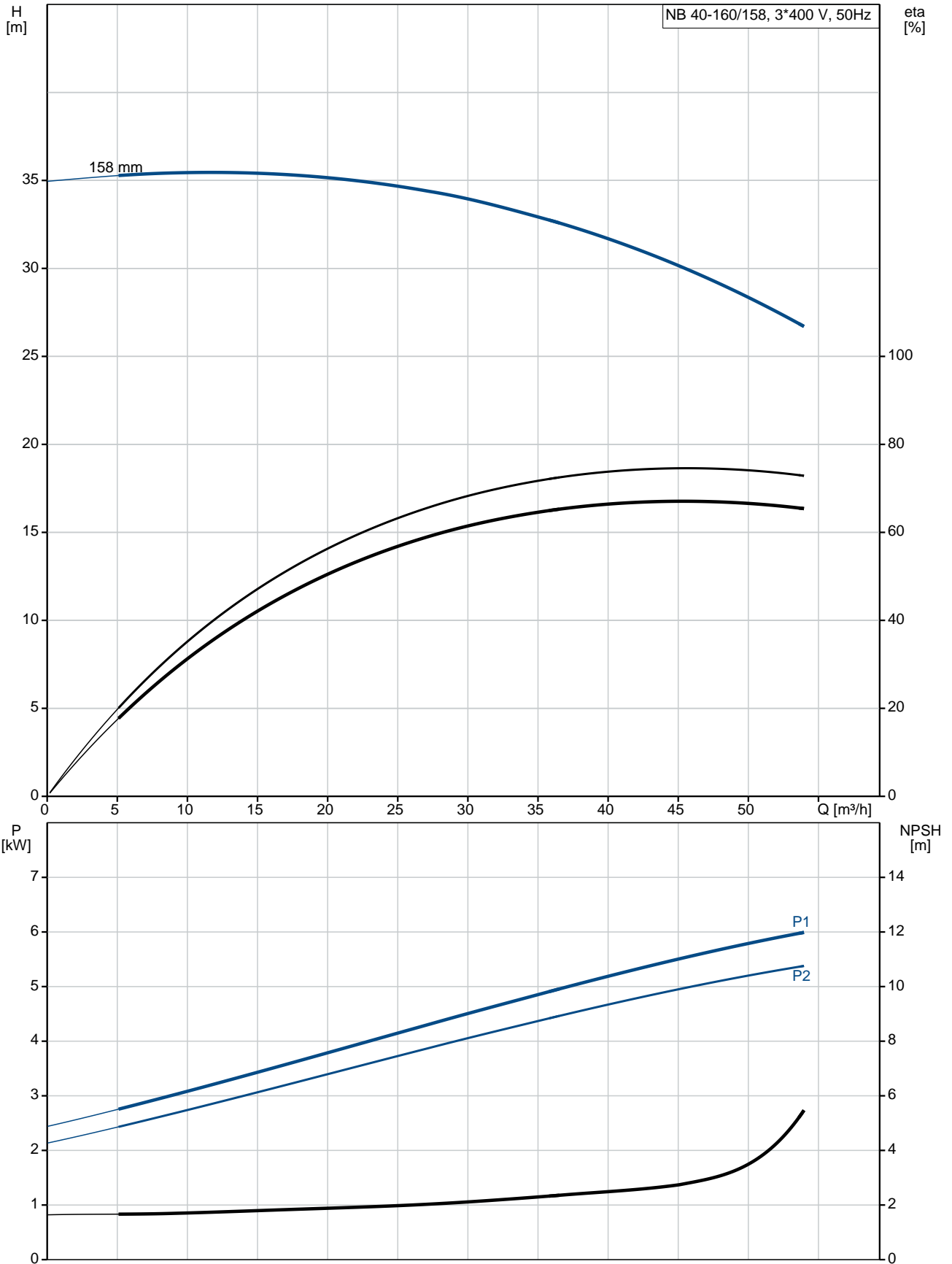


Qty.	Description
1	<p data-bbox="199 336 534 369"><b>NB 40-160/158 ASF2ABQQE</b></p> <div data-bbox="215 403 566 638">  </div> <p data-bbox="590 627 1077 660" style="text-align: center;"><b>Note! Product picture may differ from actual product</b></p> <p data-bbox="199 660 470 694">Product No.: <a href="#">98490590</a></p> <p data-bbox="199 716 1460 772">Non-self-priming, single-stage, centrifugal volute pump designed according to ISO 5199 with dimensions and rated performance according to EN 733 (10 bar).</p> <p data-bbox="199 806 1452 884">Flanges are PN 16 with dimensions according to EN 1092-2. The pump has an axial suction port, radial discharge port, horizontal shaft and a back pull-out design enabling removal of the motor, motor stool, cover and impeller without disturbing the pump housing or pipework.</p> <p data-bbox="199 896 941 929">The unbalanced rubber bellows seal is according to DIN EN 12756.</p> <p data-bbox="199 929 909 963">The pump is close-coupled to a fan-cooled asynchronous motor.</p> <p data-bbox="199 985 319 1019"><b>Controls:</b></p> <p data-bbox="199 1019 638 1052">Frequency converter: NONE</p> <p data-bbox="199 1075 295 1108"><b>Liquid:</b></p> <p data-bbox="199 1108 638 1142">Pumped liquid: Water</p> <p data-bbox="199 1142 710 1176">Liquid temperature range: -25 .. 120 °C</p> <p data-bbox="199 1176 694 1209">Liquid temperature during operation: 20 °C</p> <p data-bbox="199 1209 702 1243">Density: 998.2 kg/m<sup>3</sup></p> <p data-bbox="199 1254 327 1288"><b>Technical:</b></p> <p data-bbox="199 1288 678 1321">Rated flow: 44.3 m<sup>3</sup>/h</p> <p data-bbox="199 1321 646 1355">Rated head: 29.5 m</p> <p data-bbox="199 1355 662 1388">Actual impeller diameter: 158 mm</p> <p data-bbox="199 1388 662 1422">Nominal impeller diameter: 160 mm</p> <p data-bbox="199 1422 638 1456">Shaft seal arrangement: Single</p> <p data-bbox="199 1456 638 1489">Code for shaft seal: BQQE</p> <p data-bbox="199 1489 766 1523">Curve tolerance: ISO9906:2012 3B</p> <p data-bbox="199 1534 327 1568"><b>Materials:</b></p> <p data-bbox="199 1568 742 1646">Pump housing: Cast iron EN-GJL-250 ASTM class 35</p> <p data-bbox="199 1646 638 1680">Wear ring: Brass</p> <p data-bbox="199 1680 742 1758">Impeller: Cast iron EN-GJL-200 ASTM class 30</p> <p data-bbox="199 1758 734 1848">Shaft: Stainless steel EN 1.4301 AISI 304</p> <p data-bbox="199 1881 343 1915"><b>Installation:</b></p> <p data-bbox="199 1915 638 1948">Maximum ambient temperature: 60 °C</p> <p data-bbox="199 1948 646 1982">Maximum operating pressure: 16 bar</p> <p data-bbox="199 1982 694 2016">Pipe connection standard: EN 1092-2</p> <p data-bbox="199 2016 646 2049">Size of inlet connection: DN 65</p> <p data-bbox="199 2049 646 2083">Size of outlet connection: DN 40</p> <p data-bbox="199 2083 694 2116">Pressure rating for pipe connection: PN 16</p> <p data-bbox="199 2116 590 2150">Pump housing with feet: Y</p>

Qty.	Description
	Support block: Y
	<b>Electrical data:</b>
	IE Efficiency class: IE3
	P2: 5.5 kW
	Mains frequency: 50 Hz
	Rated voltage: 3 x 380-415D V
	Rated current: 11 A
	Starting current: 1080-1180 %
	Cos phi - power factor: 0.87-0.82
	Rated speed: 2920-2940 rpm
	Efficiency: IE3 89,2%
	Motor efficiency at full load: 89.2 %
	Motor efficiency at 3/4 load: 90.0 %
	Motor efficiency at 1/2 load: 89.6 %
	Number of poles: 2
	Enclosure class (IEC 34-5): 55 Dust/Jetting
	Insulation class (IEC 85): F
	<b>Others:</b>
	Minimum efficiency index, MEI $\hat{\%}$ : 0.70
	Net weight: 79 kg
	Gross weight: 101 kg
	Shipping volume: 0.509 m <sup>3</sup>
	Country of origin: HU
	Custom tariff no.: 84137051

## 98490590 NB 40-160/158 ASF2ABQQE 50 Hz



Description	Value
-------------	-------

**General information:**

Product name: NB 40-160/158 ASF2ABQQE  
Product No: 98490590  
EAN number: 5711496028106  
Price: 2.210,00 GBP

**Technical:**

Rated flow: 44.3 m<sup>3</sup>/h  
Rated head: 29.5 m  
Actual impeller diameter: 158 mm  
Nominal impeller diameter: 160 mm  
Shaft seal arrangement: Single  
Shaft diameter: 24 mm  
Code for shaft seal: BQQE  
Curve tolerance: ISO9906:2012 3B  
Pump version: AS

**Materials:**

Pump housing: Cast iron  
EN-GJL-250  
ASTM class 35  
Wear ring: Brass  
Impeller: Cast iron  
EN-GJL-200  
ASTM class 30  
Shaft: Stainless steel  
EN 1.4301  
AISI 304  
Material code: A

**Installation:**

Maximum ambient temperature: 60 °C  
Maximum operating pressure: 16 bar  
Pipe connection standard: EN 1092-2  
Size of inlet connection: DN 65  
Size of outlet connection: DN 40  
Pressure rating for pipe connection: PN 16  
Pump housing with feet: Y  
Support block: Y  
Connect code: F2

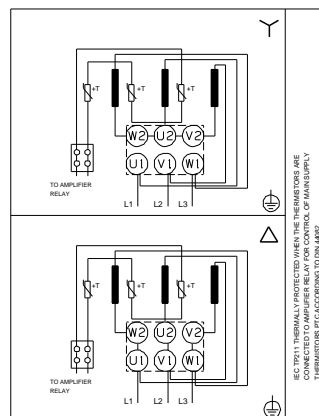
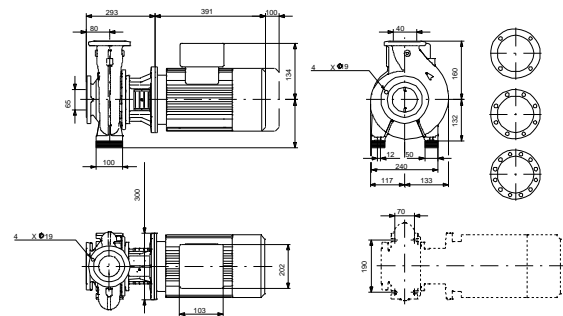
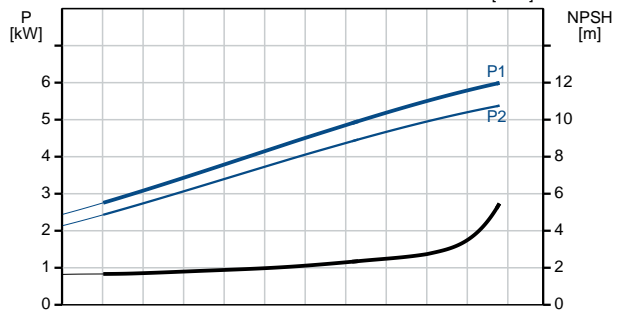
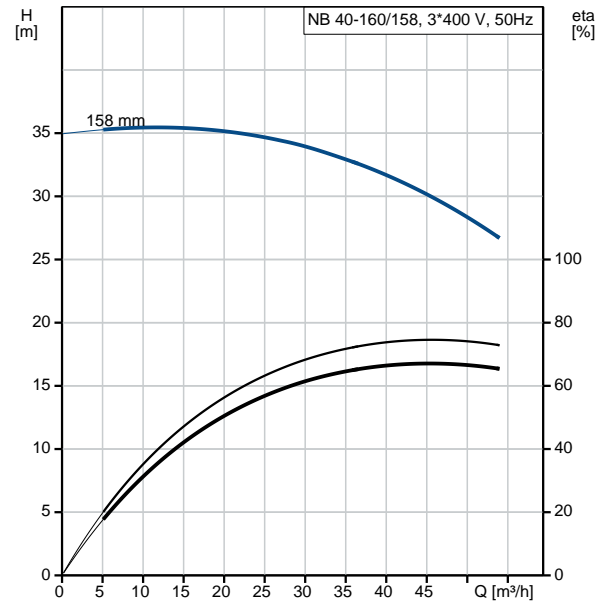
**Liquid:**

Pumped liquid: Water  
Liquid temperature range: -25 .. 120 °C  
Liquid temperature during operation: 20 °C

Density: 998.2 kg/m<sup>3</sup>

**Electrical data:**

IE Efficiency class: IE3  
P2: 5.5 kW  
Mains frequency: 50 Hz  
Rated voltage: 3 x 380-415D V  
Rated current: 11 A  
Starting current: 1080-1180 %  
Cos phi - power factor: 0.87-0.82  
Rated speed: 2920-2940 rpm  
Efficiency: IE3 89,2%  
Motor efficiency at full load: 89.2 %  
Motor efficiency at 3/4 load: 90.0 %  
Motor efficiency at 1/2 load: 89.6 %  
Number of poles: 2  
Enclosure class (IEC 34-5): 55 Dust/Jetting





Company name:

Created by:

Phone:

Date:

21/03/2019

Description	Value
Insulation class (IEC 85):	F
Motor protec:	PTC
Motor No:	87322229
Mount. design. acc. IEC 34-7:	IM V1/B5
<b>Controls:</b>	
Frequency converter:	NONE
<b>Others:</b>	
Minimum efficiency index, MEI $\eta_{\%}$ :	0.70
Net weight:	79 kg
Gross weight:	101 kg
Shipping volume:	0.509 m <sup>3</sup>
Country of origin:	HU
Custom tariff no.:	84137051

## 98490590 NB 40-160/158 ASF2ABQQE 50 Hz

