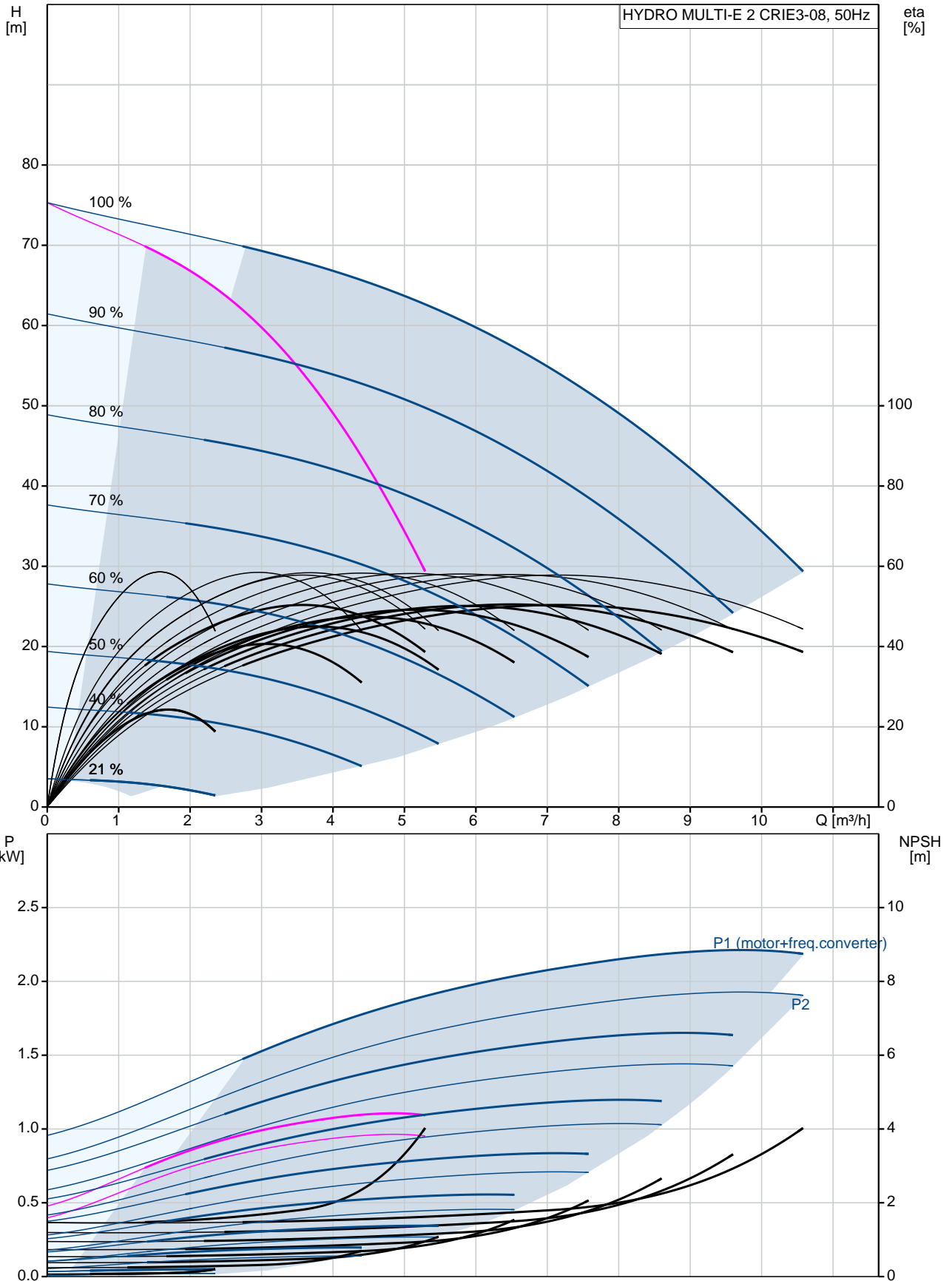


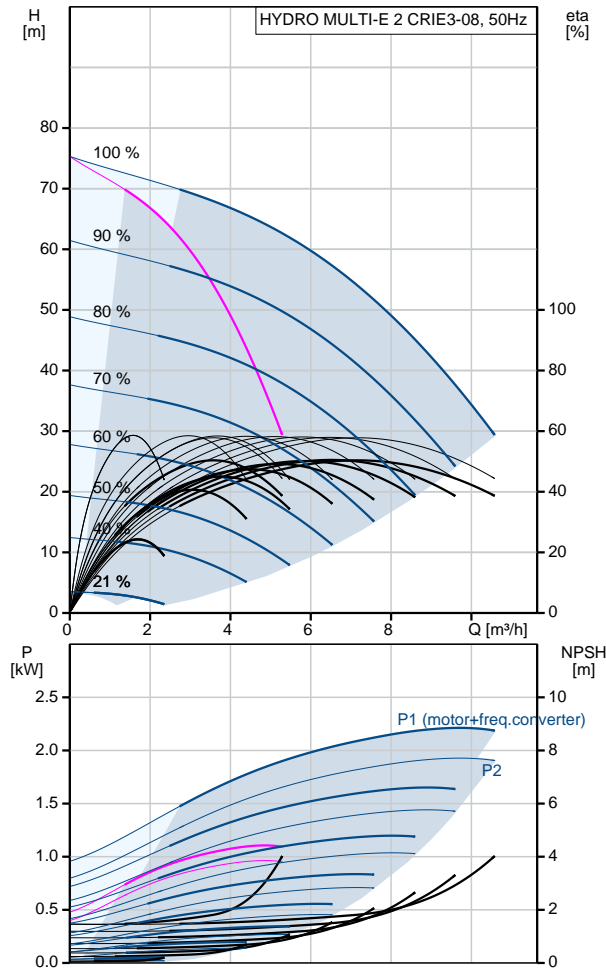
Position	Qty.	Description
	1	<p data-bbox="320 338 655 367">HYDRO MULTI-E 2 CRIE3-08</p> <div data-bbox="405 412 609 607" data-label="Image"> </div> <p data-bbox="711 611 1193 636" style="text-align: center;">Note! Product picture may differ from actual product</p> <p data-bbox="320 642 585 667">Product No.: 98486672</p> <p data-bbox="320 701 1449 754">GRUNDFOS Hydro Multi-E booster sets are designed for the transfer and pressure boosting of clean water in waterworks, blocks of flats, hotels, industry, hospitals, schools, etc.</p> <p data-bbox="320 759 1449 813">GRUNDFOS Hydro Multi-E booster set consists of 2 to 4 CRIE pumps coupled in parallel and mounted on a common base frame provided with all the necessary fittings.</p> <p data-bbox="320 846 1449 1003">Hydro Multi-E is mounted on a common base frame made of stainless steel (DIN W.-Nr. 1.4301). On the suction side are fitted a suction manifold (DIN W.-Nr. 1.4401 or DIN W.-Nr. 1.4571) , a pressure switch mounted on a drainable valve and an isolating valve. On the discharge side of the pumps are fitted a non-return valve, an isolating valve, a pressure gauge, two pressure transmitters mounted on a drainable valve a diaphragm tank and a stainless steel discharge manifold (DIN W.-Nr. 1.4401 or DIN W.-Nr. 1.4571).</p> <p data-bbox="320 1016 1086 1046">The Hydro Multi-E is fitted with an on/off-switch for the supply voltage.</p> <p data-bbox="320 1077 1398 1131">The Hydro Multi-E is designed for maintaining a constant pressure regardless of flow changes and fluctuation.</p> <p data-bbox="320 1164 1347 1218">The internal PI-controller regulates the number of running pumps and the speed of the pumps according to the required flow.</p> <p data-bbox="320 1252 1457 1305">The system can be operated directly on the panel of any of the pumps or via Grundfos GO (available as accessory)</p> <p data-bbox="320 1339 979 1608">Besides the system features: 2 Digital outputs 2 Digital inputs (one used for dry run protection) 2 Analogue inputs (one used for discharge pressure sensor) Multi-Master functionality 2 Limit functions Set-point influence function Pipe filling function High efficient PM motors</p> <p data-bbox="320 1639 708 1668">Available communication protocols:</p> <ul data-bbox="320 1671 526 1939" style="list-style-type: none"> •LON •Profibus •Modbus •SMS/GSM/GPRS •GRM •BACnet •BACnet IP •Modbus TCP •PROFINET <p data-bbox="320 1971 1426 2000">When delivered, the GRUNDFOS Hydro Multi-E booster set is factory tested and ready for operation.</p> <p data-bbox="320 2058 405 2087">Liquid:</p>

Position	Qty.	Description
		<p>Pumped liquid: Water</p> <p>Liquid temperature range: 5 .. 60 °C</p> <p>Liquid temperature during operation: 20 °C</p> <p>Density: 998.2 kg/m³</p> <p>Materials:</p> <p>Pump housing: Stainless steel</p> <p>Installation:</p> <p>Maximum operating pressure: 10 bar</p> <p>Maximum inlet pressure: PN 10 bar</p> <p>Flange standard: DIN ISO 7/1</p> <p>Manifold inlet: R 2</p> <p>Manifold outlet: R 2</p> <p>Electrical data:</p> <p>IE Efficiency class: IE5</p> <p>Power (P2) main pump: 1.1 kW</p> <p>Mains frequency: 50 Hz</p> <p>Rated voltage: 3 x 380-415 V</p> <p>Phase main pump: 1</p> <p>Rated current: 8.3 A</p> <p>Start. method: electronically</p> <p>Enclosure class (IEC 34-5): IP54</p> <p>Tank:</p> <p>Volume of pressure tank: 8 l</p> <p>Diaphragm tank: Yes</p> <p>Others:</p> <p>Net weight: 88 kg</p> <p>Gross weight: 110 kg</p> <p>Shipping volume: 0.28 m³</p> <p>Language: GB</p> <p>Country of origin: DE</p> <p>Custom tariff no.: 84137075</p>

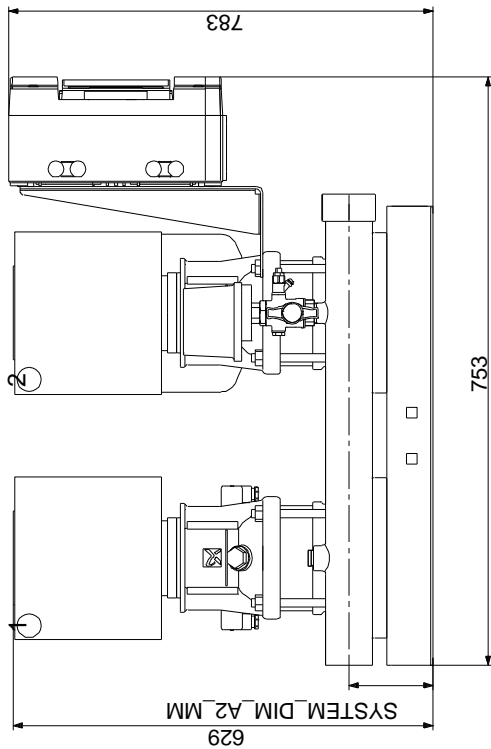
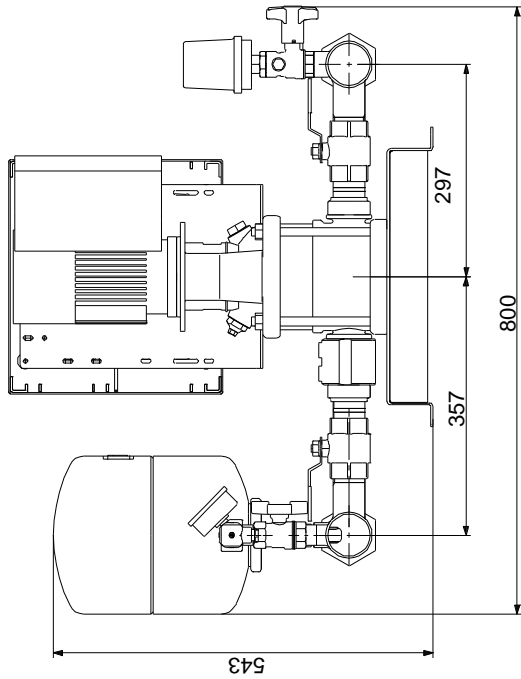
98486672 HYDRO MULTI-E 2 CRIE3-08 50 Hz



Description	Value
General information:	
Product name:	HYDRO MULTI-E 2 CRIE3-08
Product No:	98486672
EAN number:	5711495953393
Price:	6.651,00 GBP
Technical:	
Min flow system:	0.35 m ³ /h
Max flow:	10.8 m ³ /h
Head max:	74 m
Pump name:	CRIE3-08
Number of pumps:	2
Materials:	
Pump housing:	Stainless steel
Manifolds:	Stainless steel
Installation:	
Maximum operating pressure:	10 bar
Maximum inlet pressure:	PN 10 bar
Flange standard:	DIN ISO 7/1
Manifold inlet:	R 2
Manifold outlet:	R 2
Liquid:	
Pumped liquid:	Water
Liquid temperature range:	5 .. 60 °C
Liquid temperature during operation:	20 °C
Density:	998.2 kg/m ³
Electrical data:	
IE Efficiency class:	IE5
Power (P2) main pump:	1.1 kW
Mains frequency:	50 Hz
Rated voltage:	3 x 380-415 V
Phase main pump:	1
Rated current:	8.3 A
Start. method:	electronically
Enclosure class (IEC 34-5):	IP54
Tank:	
Volume of pressure tank:	8 l
Diaphragm tank:	Yes
Others:	
Net weight:	88 kg
Gross weight:	110 kg
Shipping volume:	0.28 m ³
Language:	GB
Product range:	International
Country of origin:	DE
Custom tariff no.:	84137075

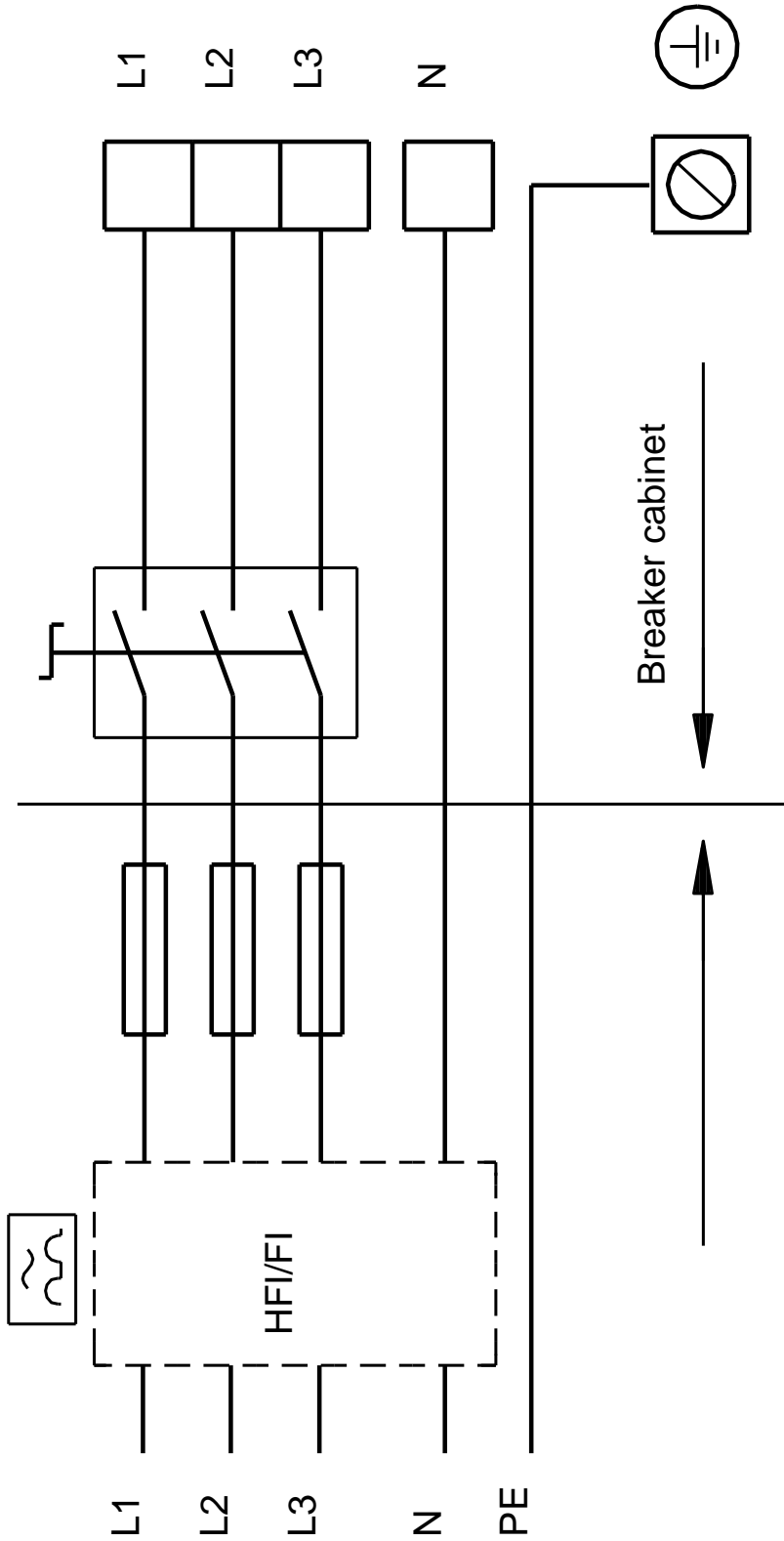


98486672 HYDRO MULTI-E 2 CRIE3-08 50 Hz



Note! All units are in [mm] unless others are stated.
Disclaimer: This simplified dimensional drawing does not show all details.

98486672 HYDRO MULTI-E 2 CRIE3-08 50 Hz



Note! All units are in [mm] unless others are stated.