


Qty.	Description
1	<p data-bbox="199 338 534 369"><b>TPE2 50-150-N A-F-A-BQQE</b></p>  <p data-bbox="199 660 470 692">Product No.: <a href="#">98437894</a></p> <p data-bbox="199 719 1449 797">Single-stage, close-coupled, volute pump with in-line suction and discharge ports of identical diameter. The pump is of the top-pull-out design, i.e. the power head (motor, pump head and impeller) can be removed for maintenance or service while the pump housing remains in the pipework.</p> <p data-bbox="199 804 1417 860">The shaft seal is according to EN 12756. Pipework connection is via PN 6/10 DIN flanges (EN 1092-2 and ISO 7005-2).</p> <p data-bbox="199 864 1444 920">The pump is fitted with a fan-cooled, permanent-magnet synchronous motor. The motor efficiency is classified as IE5 in accordance with IEC 60034-30-2.</p> <p data-bbox="199 925 1433 981">The motor includes a frequency converter and PI controller in the motor terminal box. This enables continuously variable control of the motor speed, which again enables adaptation of the performance to a given requirement.</p> <p data-bbox="199 1039 316 1070"><b>Controls:</b></p> <p data-bbox="199 1070 646 1102">Frequency converter: Built-in</p> <p data-bbox="199 1128 288 1160"><b>Liquid:</b></p> <p data-bbox="199 1160 710 1279">Pumped liquid: Water  Liquid temperature range: -25 .. 120 °C  Liquid temperature during operation: 20 °C  Density: 998.2 kg/m<sup>3</sup></p> <p data-bbox="199 1305 327 1337"><b>Technical:</b></p> <p data-bbox="199 1337 821 1514">Pump speed on which pump data are based: 3800 rpm  Rated flow: 22.8 m<sup>3</sup>/h  Rated head: 9.5 m  Actual impeller diameter: 74 mm  Primary shaft seal: BQQE  Curve tolerance: ISO9906:2012 3B</p> <p data-bbox="199 1541 320 1572"><b>Materials:</b></p> <p data-bbox="199 1572 885 1693">Pump housing: Cast iron  EN-JL1040  ASTM A48-40 B  Impeller: Composite PES/PP 30% GF</p> <p data-bbox="199 1720 343 1751"><b>Installation:</b></p> <p data-bbox="199 1751 694 1962">Range of ambient temperature: -20 .. 50 °C  Maximum operating pressure: 10 bar  Flange standard: DIN  Pipe connection: DN 50  Pressure rating: PN 6/10  Port-to-port length: 280 mm  Flange size for motor: 56C</p> <p data-bbox="199 1989 379 2020"><b>Electrical data:</b></p> <p data-bbox="199 2020 662 2110">Motor type: 80A  IE Efficiency class: IE5  Rated power - P2: 0.75 kW</p>

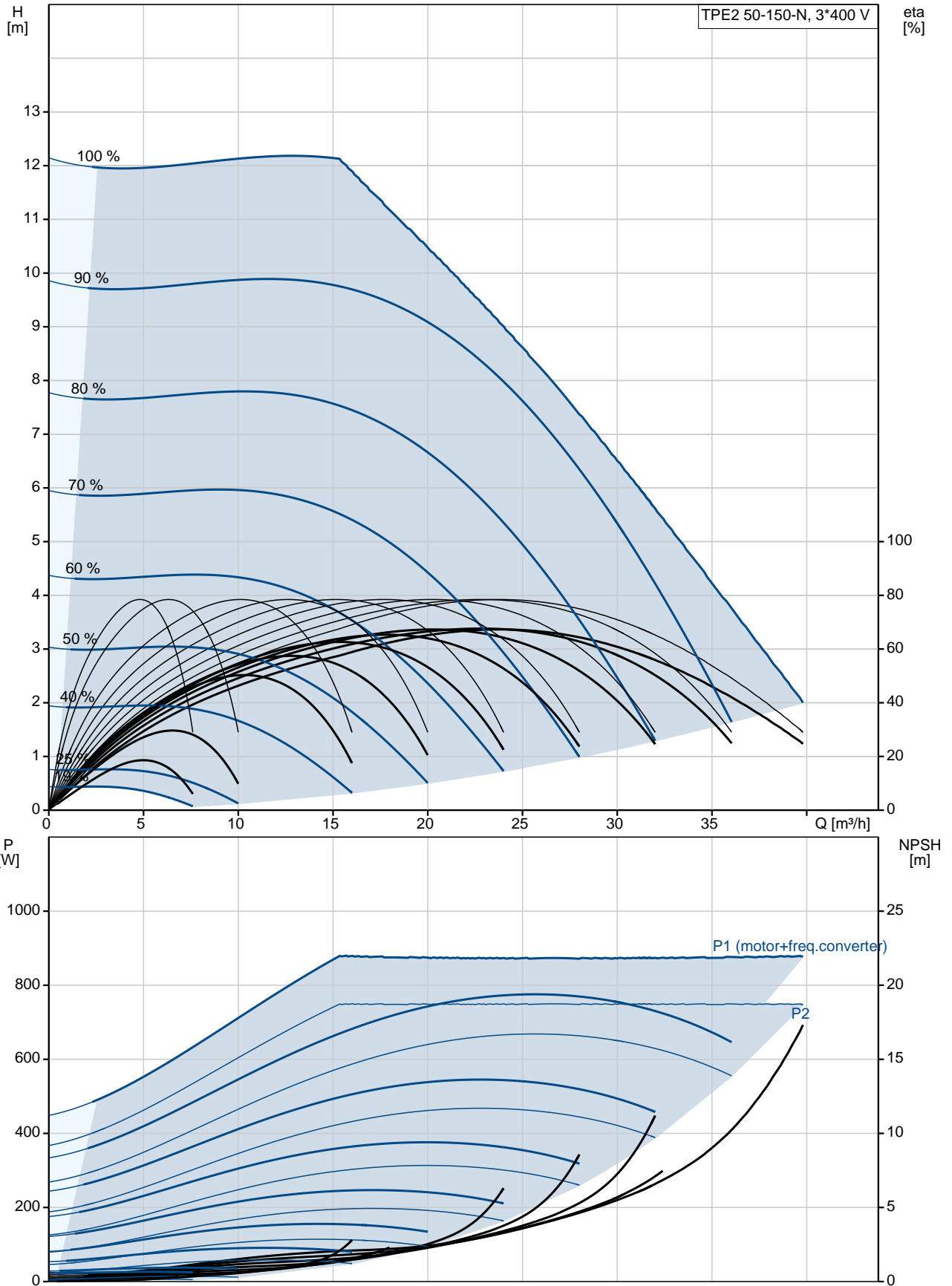
Qty.	Description
------	-------------

Mains frequency:	50 Hz
Rated voltage:	3 x 380-500 V
Rated current:	1.70-1.60 A
Cos phi - power factor:	0.83-0.67
Rated speed:	360-4000 rpm
Efficiency:	85.9%
Motor efficiency at full load:	85.9 %
Enclosure class (IEC 34-5):	IP55
Insulation class (IEC 85):	F

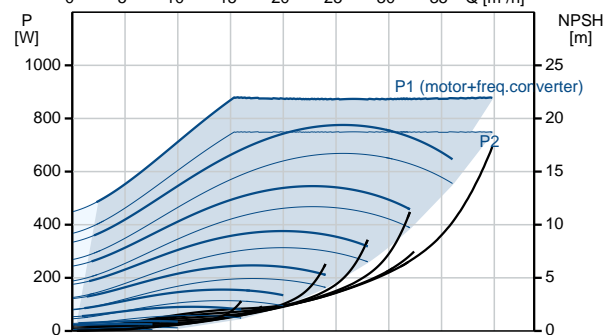
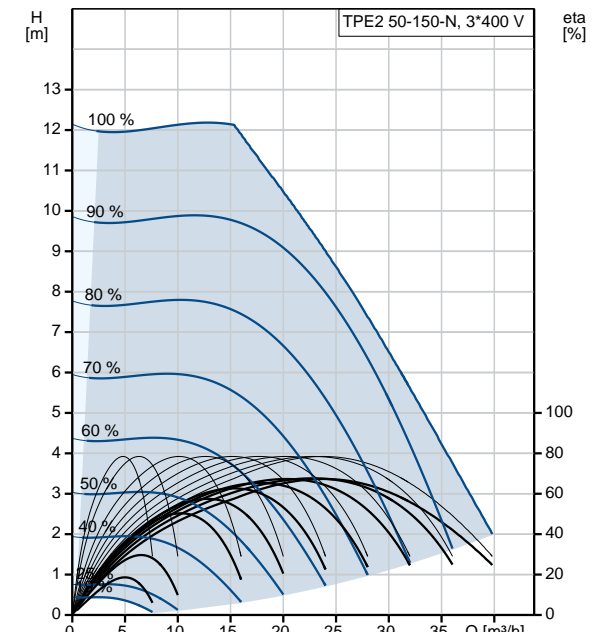
**Others:**

Minimum efficiency index, MEI =:	0.7
ErP status:	EuP Standalone/Prod.
Net weight:	27.3 kg
Gross weight:	33.6 kg
Shipping volume:	0.1 m <sup>3</sup>
Norwegian NRF no.:	9043498
Country of origin:	HU
Custom tariff no.:	84137051

## 98437894 TPE2 50-150-N A-F-A-BQQE 50 Hz



Description	Value
<b>General information:</b>	
Product name:	TPE2 50-150-N A-F-A-BQQE
Product No:	98437894
EAN number:	5711495010904
<b>Technical:</b>	
Pump speed on which pump data are based:	3800 rpm
Rated flow:	22.8 m <sup>3</sup> /h
Rated head:	9.5 m
Head max:	150 dm
Actual impeller diameter:	74 mm
Primary shaft seal:	BQQE
Curve tolerance:	ISO9906:2012 3B
Pump version:	A
Model:	A
<b>Materials:</b>	
Pump housing:	Cast iron
	EN-JL1040
	ASTM A48-40 B
Impeller:	Composite PES/PP 30% GF
Material code:	A
<b>Installation:</b>	
Range of ambient temperature:	-20 .. 50 °C
Maximum operating pressure:	10 bar
Flange standard:	DIN
Pipe connection:	DN 50
Pressure rating:	PN 6/10
Port-to-port length:	280 mm
Flange size for motor:	56C
Connect code:	F
<b>Liquid:</b>	
Pumped liquid:	Water
Liquid temperature range:	-25 .. 120 °C
Liquid temperature during operation:	20 °C
Density:	998.2 kg/m <sup>3</sup>
<b>Electrical data:</b>	
Motor type:	80A
IE Efficiency class:	IE5
Rated power - P2:	0.75 kW
Mains frequency:	50 Hz
Rated voltage:	3 x 380-500 V
Rated current:	1.70-1.60 A
Cos phi - power factor:	0.83-0.67
Rated speed:	360-4000 rpm
Efficiency:	85.9%
Motor efficiency at full load:	85.9 %
Enclosure class (IEC 34-5):	IP55
Insulation class (IEC 85):	F
Motor protec:	YES
Motor No:	99138017
<b>Controls:</b>	
Control panel:	HMI200 - Standard
Function Module:	FM300 - Advanced
Frequency converter:	Built-in
<b>Others:</b>	
Minimum efficiency index, MEI =:	0.7
ErP status:	EuP Standalone/Prod.
Net weight:	27.3 kg





Company name:

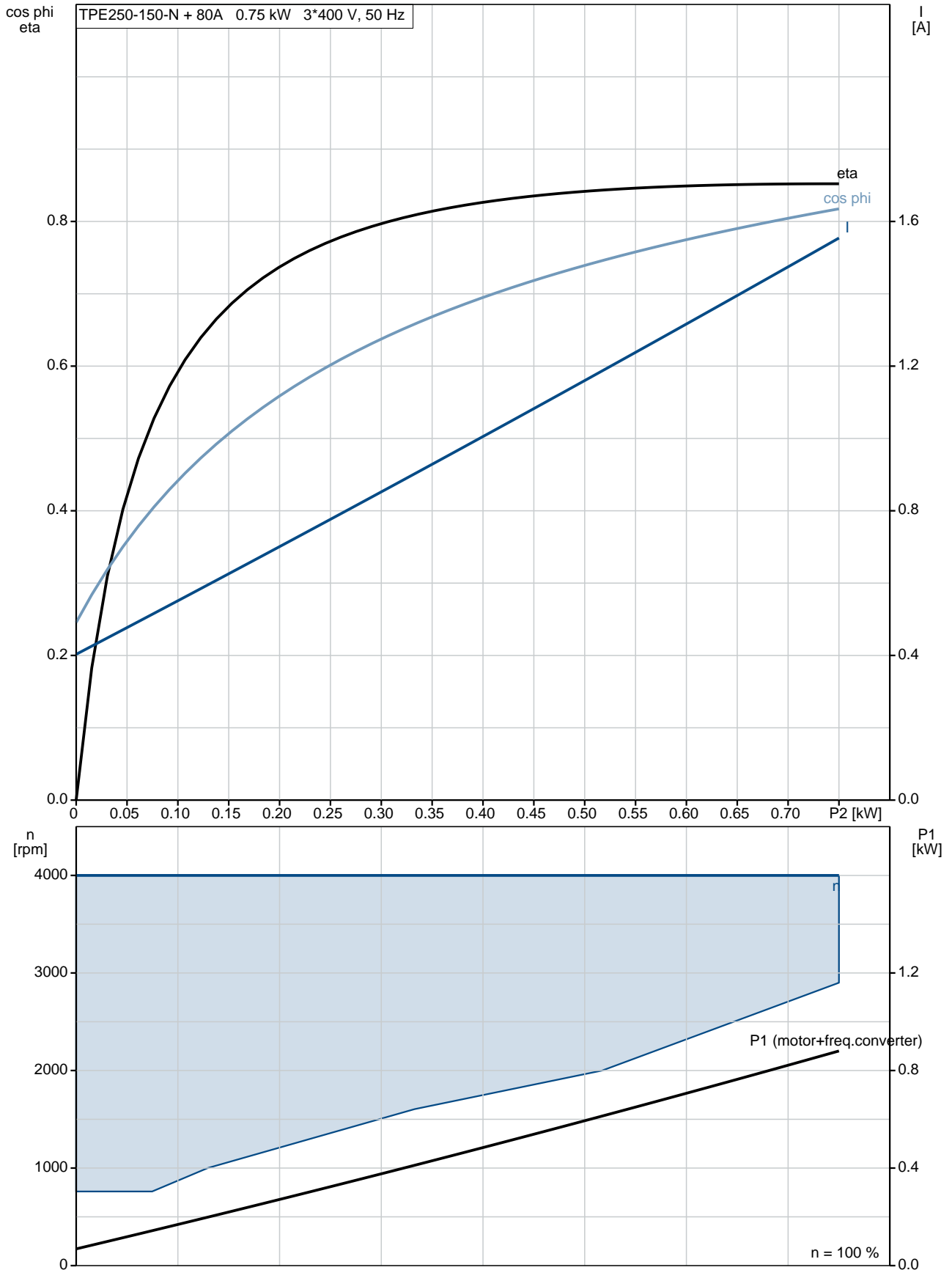
Created by:

Phone:

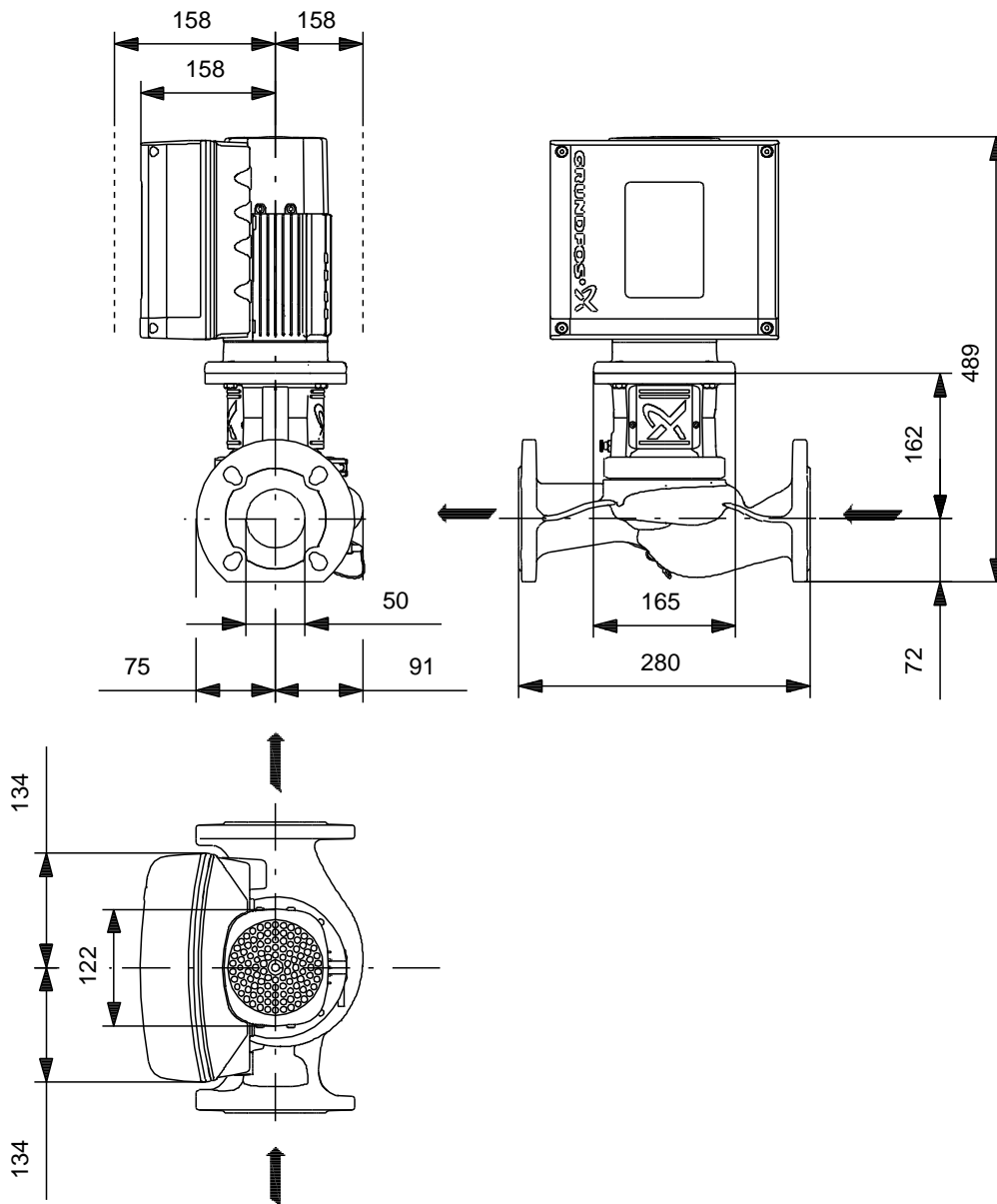
Date: 21/12/2018

Description	Value
Gross weight:	33.6 kg
Shipping volume:	0.1 m <sup>3</sup>
Config. file no:	98819259
Norwegian NRF no.:	9043498
Country of origin:	HU
Custom tariff no.:	84137051

## 98437894 TPE2 50-150-N A-F-A-BQQE 50 Hz

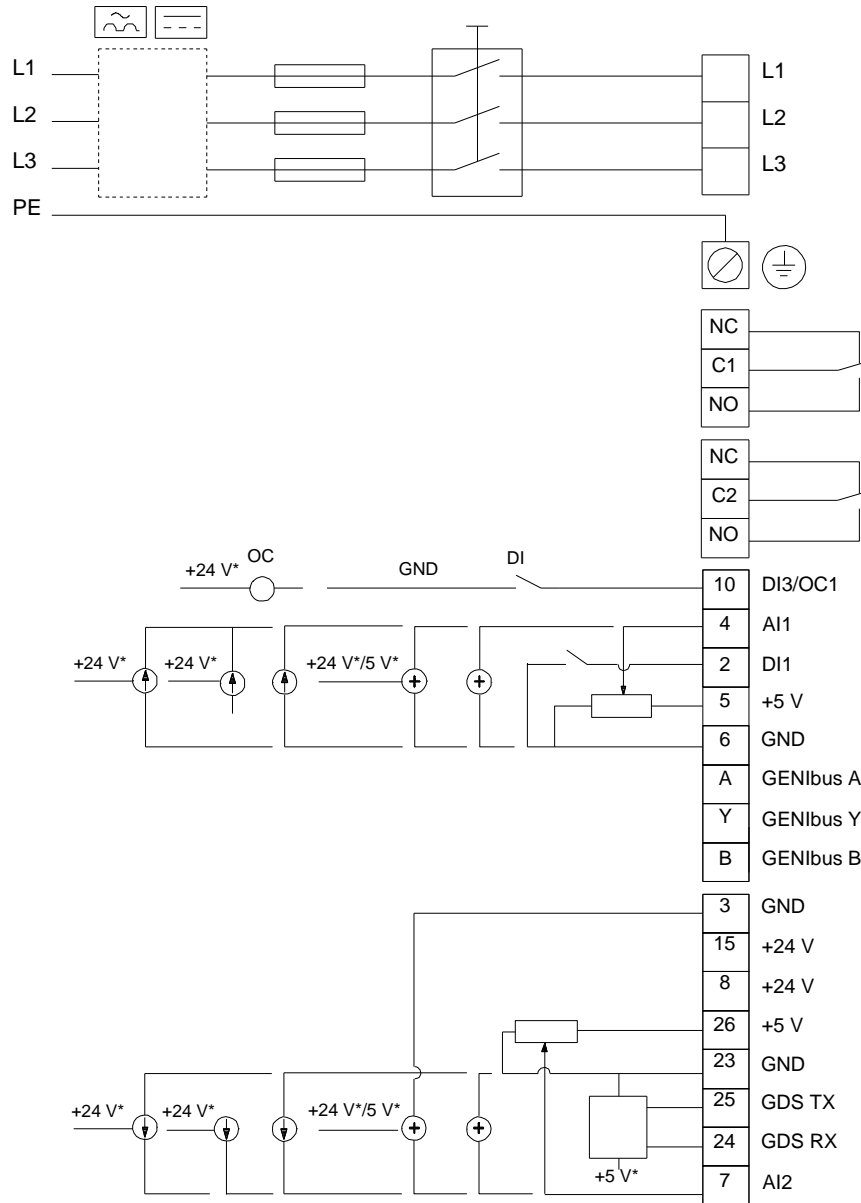


## 98437894 TPE2 50-150-N A-F-A-BQQE 50 Hz



Note! All units are in [mm] unless others are stated.  
Disclaimer: This simplified dimensional drawing does not show all details.

## 98437894 TPE2 50-150-N A-F-A-BQQE 50 Hz



Note! All units are in [mm] unless others are stated.