


Count	Description
1	<p data-bbox="225 342 539 365"><b>NB 65-200/219 AF2ABQQE</b></p> <div data-bbox="320 443 523 607" style="text-align: center;">  </div> <p data-bbox="225 663 491 685">Product No.: <a href="#">98353645</a></p> <p data-bbox="225 719 770 748">This is a non-self priming, single-stage centrifugal</p> <p data-bbox="225 781 687 896">It is designed for pumping of thin, clean or slightly contaminated liquids without abrasive or long-fibered solids.</p> <p data-bbox="225 929 628 958">The pump is directly coupled with an</p> <p data-bbox="225 992 647 1048">The impeller is hydraulically as well as dynamically balanced.</p> <p data-bbox="225 1081 703 1111">The pump has the following characteristics:</p> <ul style="list-style-type: none"> <li data-bbox="264 1111 647 1140">- flange dimensions according to EN 1092-2,</li> <li data-bbox="225 1173 389 1202">pump housing,</li> <li data-bbox="264 1202 520 1232">- stainless steel shaft</li> <li data-bbox="225 1232 480 1261">and bronze wear rings,</li> <li data-bbox="264 1261 676 1290">- unbalanced mechanical shaft seal according to EN 12756.</li> </ul> <p data-bbox="225 1346 336 1375"><b>Controls:</b></p> <p data-bbox="225 1375 660 1404">Frequency converter: NONE</p> <p data-bbox="225 1438 309 1467"><b>Liquid:</b></p> <p data-bbox="225 1467 660 1496">Pumped liquid: Water</p> <p data-bbox="225 1496 727 1525">Liquid temperature range: -13 .. 248 °F</p> <p data-bbox="225 1525 647 1554">Selected liquid temperature: 68 °F</p> <p data-bbox="225 1554 708 1583">Density: 62.29 lb/ft³</p> <p data-bbox="225 1617 347 1646"><b>Technical:</b></p> <p data-bbox="225 1646 695 1675">Rated pump speed: 1460 rpm</p> <p data-bbox="225 1675 727 1704">Rated flow: 289 US gpm</p> <p data-bbox="225 1704 676 1733">Rated head: 48.23 ft</p> <p data-bbox="225 1733 660 1762">Actual impeller diameter: 8.62 in</p> <p data-bbox="225 1762 660 1792">Nominal impeller diameter: 7.87 in</p> <p data-bbox="225 1792 660 1821">Shaft seal arrangement: Single</p> <p data-bbox="225 1821 660 1850">Code for shaft seal: BQQE</p> <p data-bbox="225 1850 788 1879">Curve tolerance: ISO9906:2012 3B</p> <p data-bbox="225 1912 341 1942"><b>Materials:</b></p> <p data-bbox="225 1942 759 2027">Pump housing: Cast iron EN-GJL-250 ASTM class 35</p> <p data-bbox="225 2027 660 2056">Wear ring: Brass</p> <p data-bbox="225 2056 692 2085">Impeller: Cast iron</p>

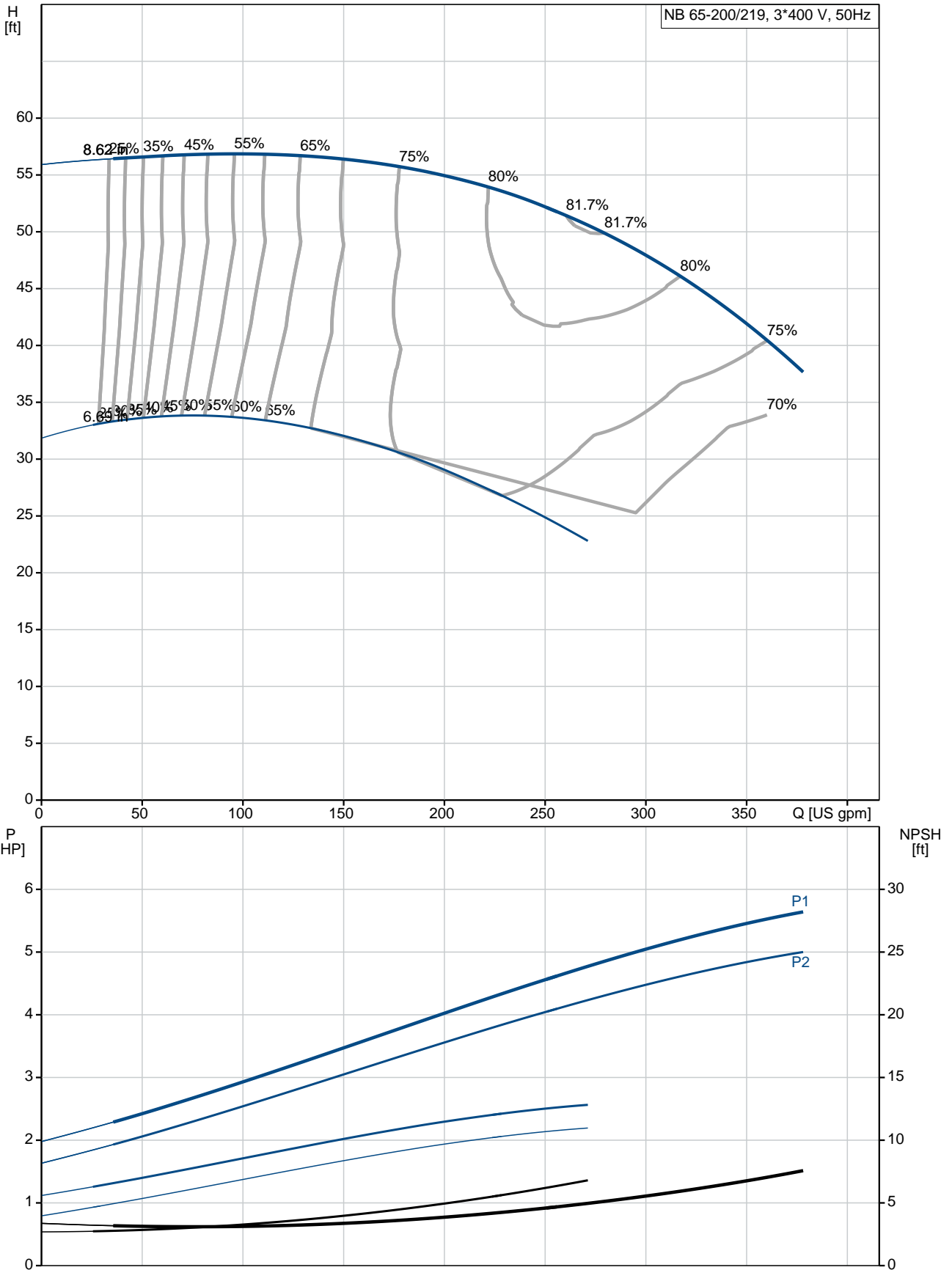
Count	Description
	<p>EN-GJL-200 ASTM class 30 Stainless steel EN 1.4301 AISI 304</p> <p><b>Installation:</b> Maximum ambient temperature: 140 °F Maximum operating pressure: 232.06 psi Pipe connection standard: EN 1092-2 Size of inlet connection: DN 80 Size of outlet connection: DN 65 Pressure rating for pipe connection: PN 16 Pump housing with feet: Y Support block: N</p> <p><b>Electrical data:</b> Motor type: 112MC IE Efficiency class: IE3 P2: 5.5 HP Main frequency: 50 Hz Rated voltage: 3 x 380-415D V Rated current: 9.3 A Starting current: 790-870 % Cos phi - power factor: 0.75-0.68 Rated speed: 1460 rpm IE efficiency: IE3 88,6% Motor efficiency at full load: 88.6 % Motor efficiency at 3/4 load: 88.9 % Motor efficiency at 1/2 load: 88.3 % Number of poles: 4 Enclosure class (IEC 34-5): 55 Dust/Jetting Insulation class (IEC 85): F Motor Number: 87322330</p> <p><b>Others:</b> Minimum efficiency index, MEI <math>\hat{\alpha}\%_{\alpha}</math>: 0.70 Net weight: 192 lb Gross weight: 229 lb Shipping volume: 11.1 ft<sup>3</sup></p>



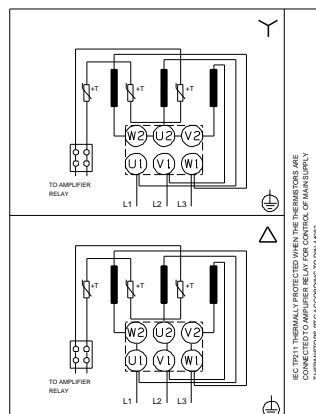
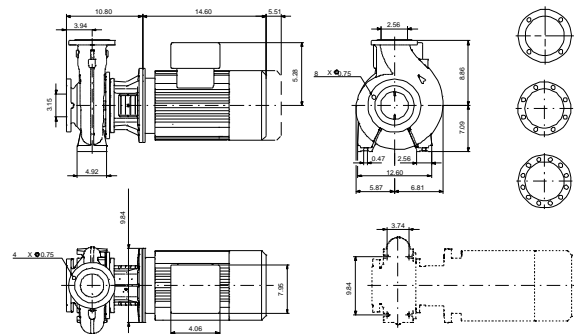
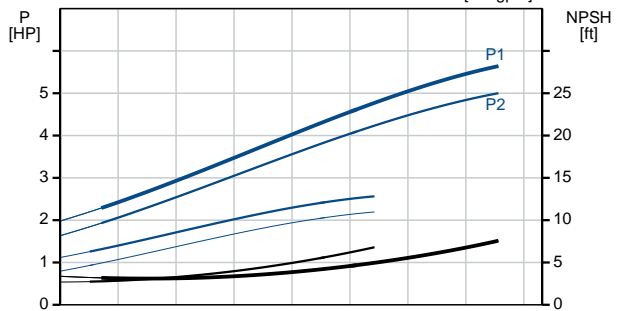
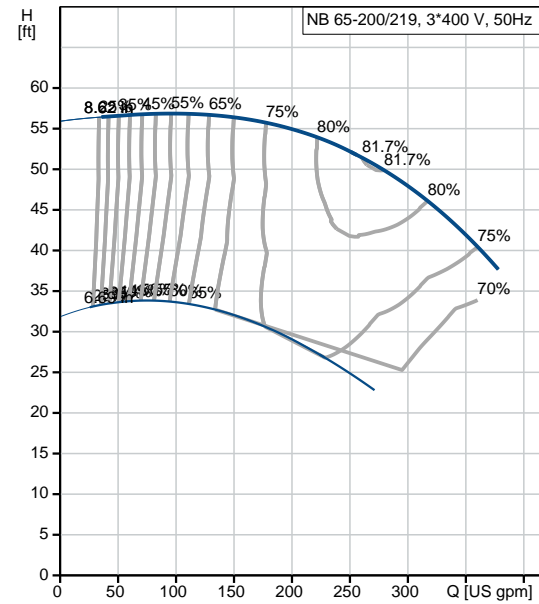
Company name:  
Created by:  
Phone:

Date: 6/4/2019

### 98353645 NB 65-200/219 AF2ABQQE 50 Hz



Description	Value
<b>General information:</b>	
Product name:	NB 65-200/219 AF2ABQQE
Product No.:	98353645
EAN:	5711493515265
<b>Technical:</b>	
Rated pump speed:	1460 rpm
Rated flow:	289 US gpm
Rated head:	48.23 ft
Actual impeller diameter:	8.62 in
Nominal impeller diameter:	7.87 in
Shaft seal arrangement:	Single
Shaft diameter:	0.94 in
Code for shaft seal:	BQQE
Curve tolerance:	ISO9906:2012 3B
Pump version:	A
<b>Materials:</b>	
Pump housing:	Cast iron
	EN-GJL-250
	ASTM class 35
Wear ring:	Brass
Impeller:	Cast iron
	EN-GJL-200
	ASTM class 30
Shaft:	Stainless steel
	EN 1.4301
	AISI 304
Material code:	A
Code for rubber:	E
<b>Installation:</b>	
Maximum ambient temperature:	140 °F
Maximum operating pressure:	232.06 psi
Pipe connection standard:	EN 1092-2
Size of inlet connection:	DN 80
Size of outlet connection:	DN 65
Pressure rating for pipe connection:	PN 16
Pump housing with feet:	Y
Support block:	N
Connect code:	F2
<b>Liquid:</b>	
Pumped liquid:	Water
Liquid temperature range:	-13 .. 248 °F
Selected liquid temperature:	68 °F
Density:	62.29 lb/ft³
<b>Electrical data:</b>	
Motor type:	112MC
IE Efficiency class:	IE3
P2:	5.5 HP
Main frequency:	50 Hz
Rated voltage:	3 x 380-415D V
Rated current:	9.3 A
Starting current:	790-870 %
Cos phi - power factor:	0.75-0.68
Rated speed:	1460 rpm
IE efficiency:	IE3 88,6%
Motor efficiency at full load:	88.6 %
Motor efficiency at 3/4 load:	88.9 %
Motor efficiency at 1/2 load:	88.3 %
Number of poles:	4





Company name:

Created by:

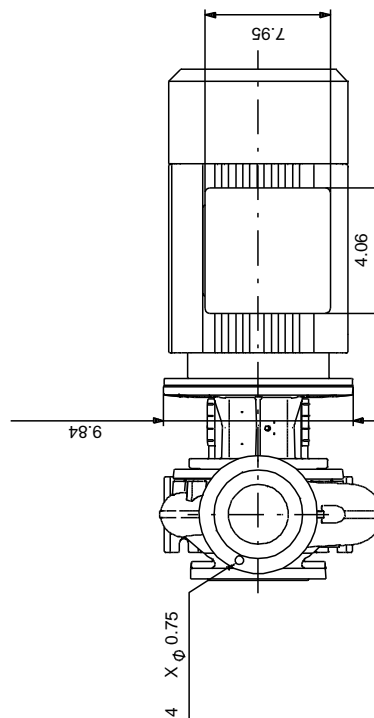
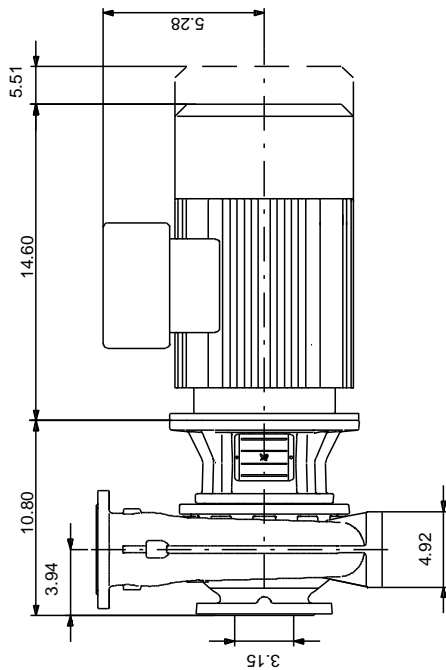
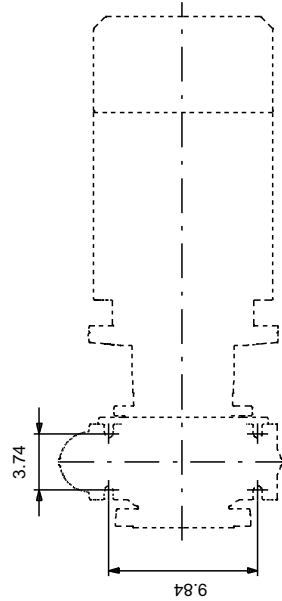
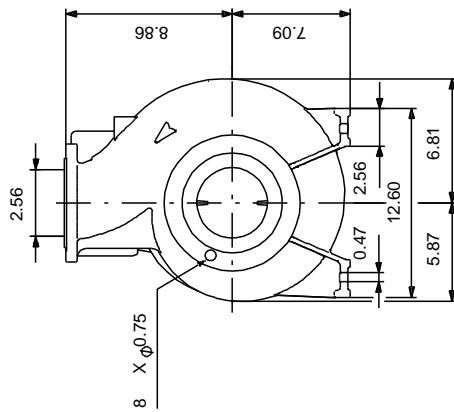
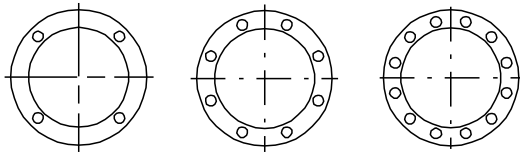
Phone:

Date:

6/4/2019

Description	Value
Enclosure class (IEC 34-5):	55 Dust/Jetting
Insulation class (IEC 85):	F
Motor protection:	PTC
Motor Number:	87322330
Mounting design per IEC 34-7:	IM V1/B5
<b>Controls:</b>	
Frequency converter:	NONE
<b>Others:</b>	
Minimum efficiency index, MEI $\eta_{\%}$ :	0.70
Net weight:	192 lb
Gross weight:	229 lb
Shipping volume:	11.1 ft <sup>3</sup>

## 98353645 NB 65-200/219 AF2ABQQE 50 Hz



Note! All units are in [in] unless otherwise stated.  
Disclaimer: This simplified dimensional drawing does not show all details.

## 98353645 NB 65-200/219 AF2ABQQE 50 Hz



All units are [in] unless otherwise presented.