


| Position | Qty. | Description |
|----------|------|---|
| | 1 | <p>TP 25-80/2 A-O-I-BQQE</p>  <p>Note! Product picture may differ from actual product</p> <p>Product No.: 98346639</p> <p>Single-stage, close-coupled, volute pump with in-line suction and discharge ports of identical diameter. The pump is of the top-pull-out design, i.e. the power head (motor, pump head and impeller) can be removed for maintenance or service while the pump housing remains in the pipework.</p> <p>The pump is fitted with an unbalanced rubber bellows seal. The shaft seal is according to EN 12756. Pipework connection is via PN 10 union connections (ISO 228-1).</p> <p>The pump is fitted with a fan-cooled asynchronous motor.</p> <p>Liquid: Pumped liquid: Water Liquid temperature range: -25 .. 120 °C Liquid temperature during operation: 20 °C Density: 998.2 kg/m³</p> <p>Technical: Speed for pump data: 2820 rpm Rated flow: 6.32 m³/h Rated head: 4.04 m Primary shaft seal: BQQE Curve tolerance: ISO9906:2012 3B</p> <p>Materials: Pump housing: Stainless steel DIN W.-Nr. 1.4308 ASTM CF8 Impeller: Composite PES/PP 30% GF</p> <p>Installation: Range of ambient temperature: -30 .. 40 °C Maximum operating pressure: 10 bar Flange standard: UNION Pipe connection: G 1 1/2 Pressure stage: PN 10 Port-to-port length: 180 mm Flange size for motor: FT75</p> <p>Electrical data: Motor type: SIEMENS IE Efficiency class: NA Rated power - P2: 0.18 kW Power (P2) required by pump: 0.18 kW Mains frequency: 50 Hz Rated voltage: 3 x 220-240D/380-415Y V Rated current: 0,90/0,52 A Cos phi - power factor: 0,79-0,71</p> |



Company name:

Created by:

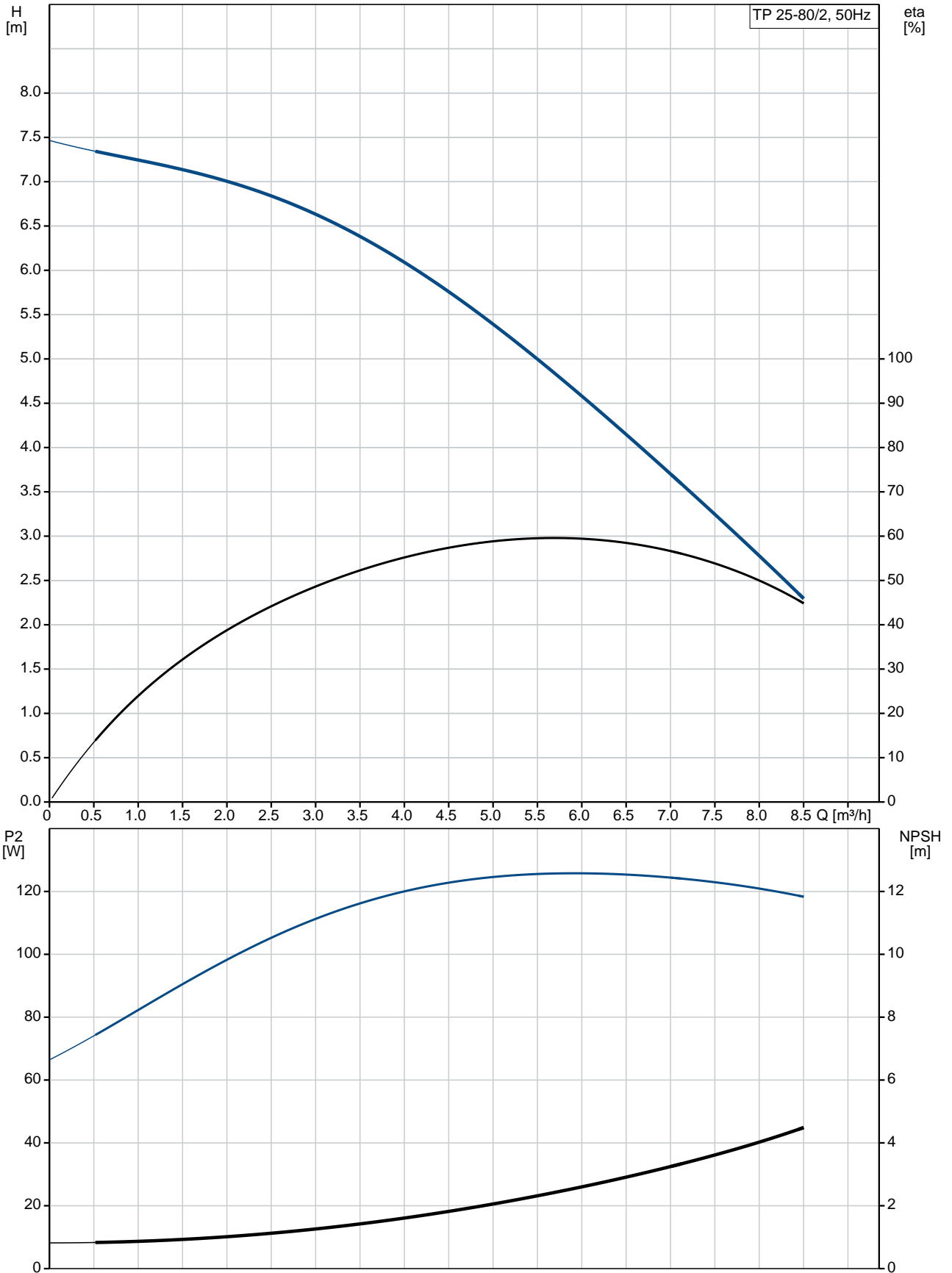
Phone:

Date:

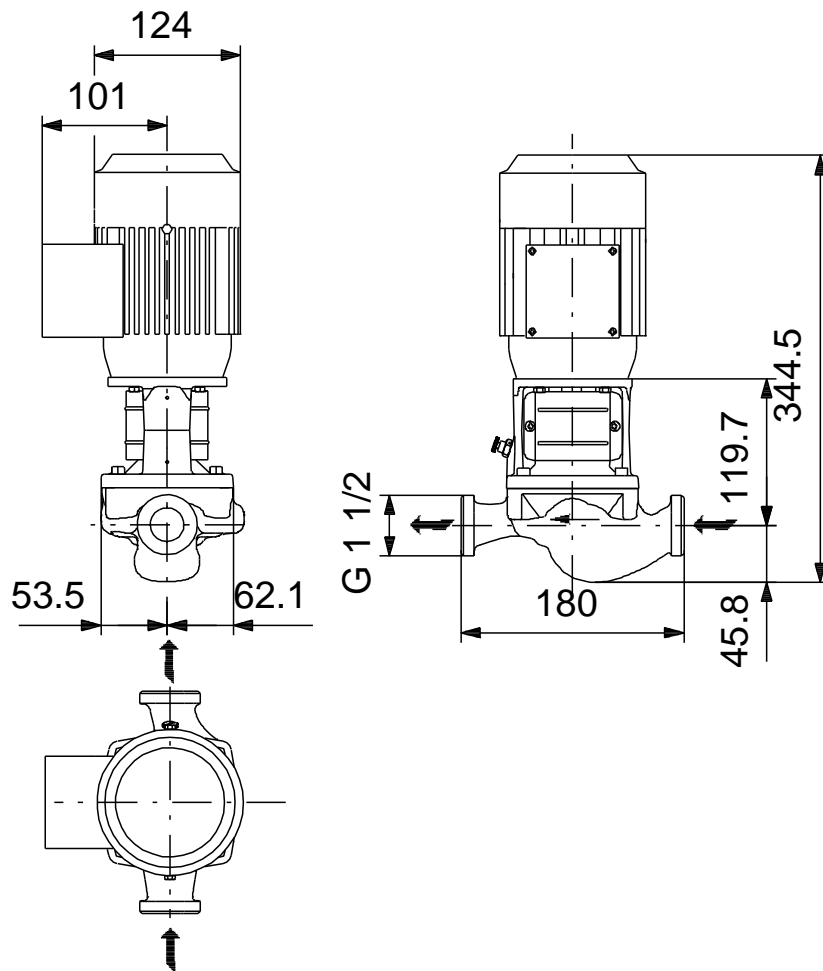
30/06/2017

| Position | Qty. | Description |
|----------|------|---|
| | | Rated speed: 2800-2850 rpm Number of poles: 2 Enclosure class (IEC 34-5): 55 (Protect. water jets/dust) Insulation class (IEC 85): F Others: Minimum efficiency index, MEI : 0.55 ErP status: EuP Standalone/Prod. Net weight: 8.3 kg Gross weight: 9.3 kg Shipping volume: 0.02 m ³ Danish: VVS NO 381870080 |

98346639 TP 25-80/2 50 Hz

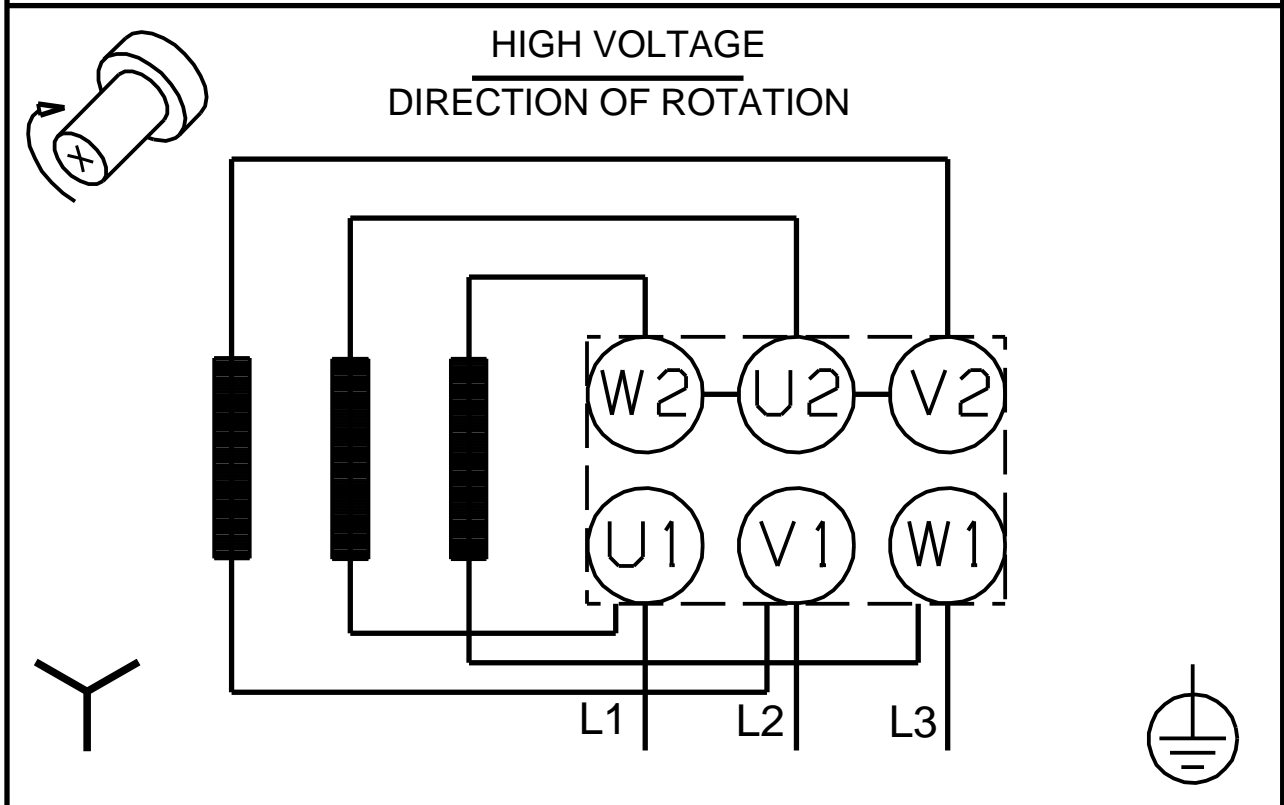
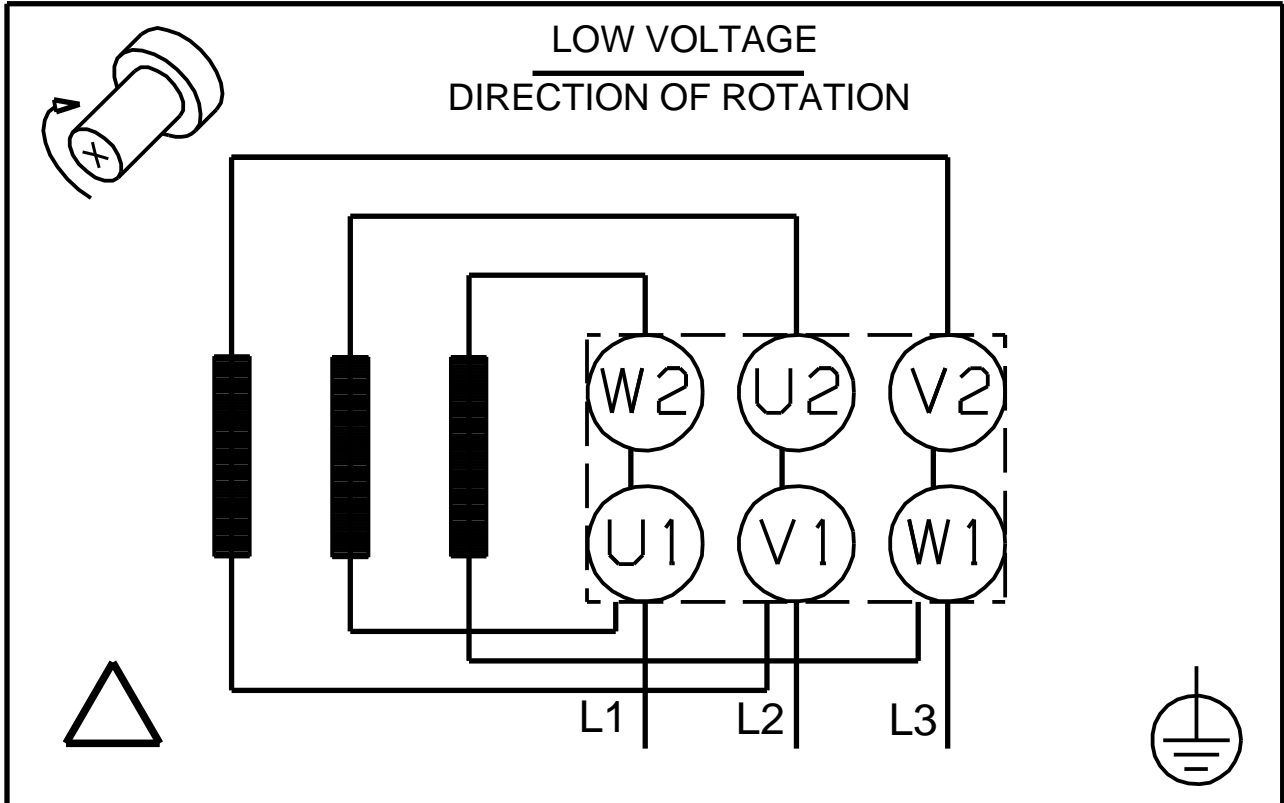


98346639 TP 25-80/2 50 Hz



Note! All units are in [mm] unless others are stated.
Disclaimer: This simplified dimensional drawing does not show all details.

98346639 TP 25-80/2 50 Hz



Note! All units are in [mm] unless others are stated.