
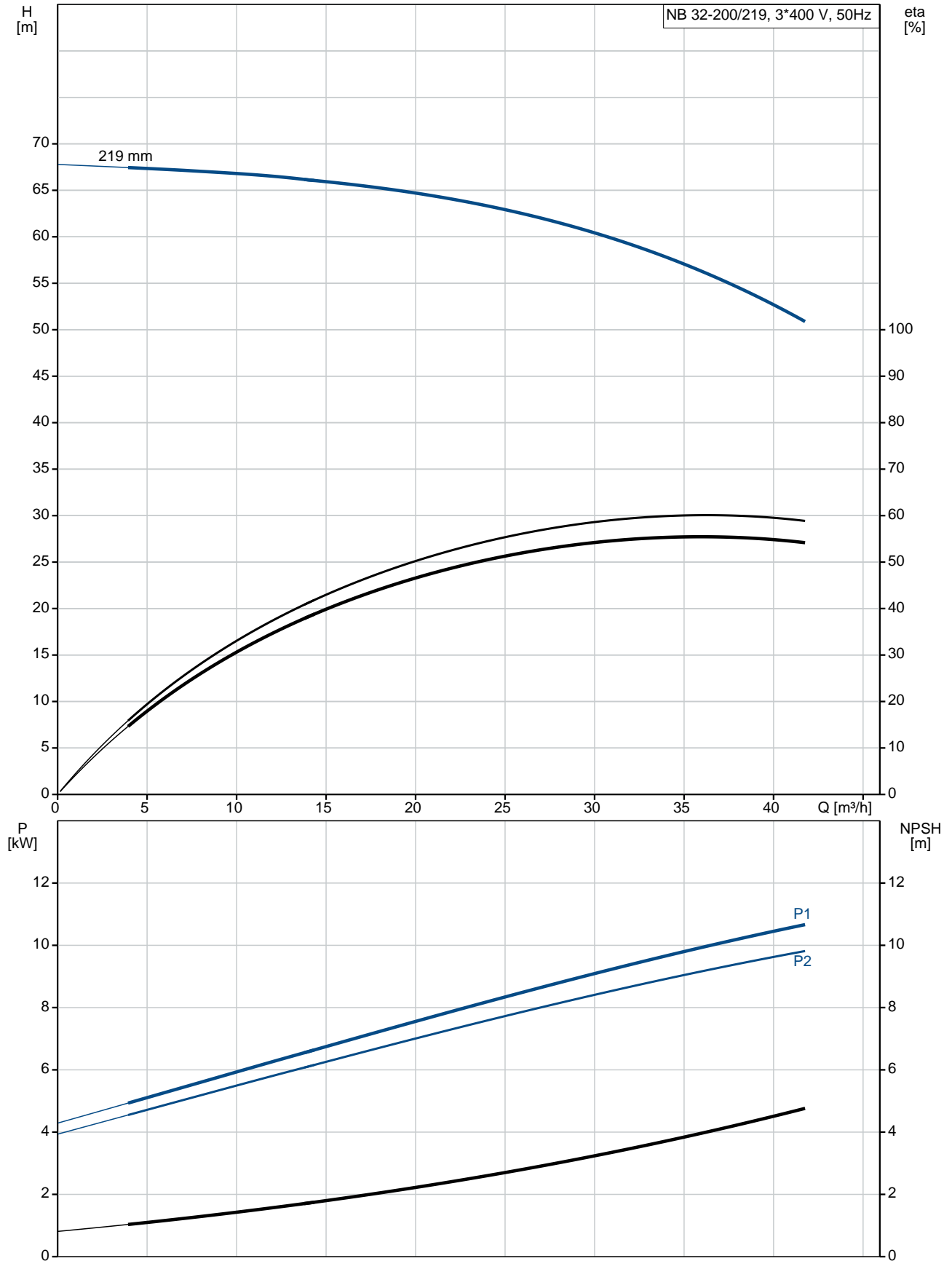


Qty.	Description
1	<p data-bbox="199 338 534 369"><b>NB 32-200/219 ASF2ABQQE</b></p> <div data-bbox="215 403 566 638">  </div> <p data-bbox="590 627 1077 660" style="text-align: center;"><b>Note! Product picture may differ from actual product</b></p> <p data-bbox="199 660 470 694">Product No.: <a href="#">98300257</a></p> <p data-bbox="199 716 1460 772">Non-self-priming, single-stage, centrifugal volute pump designed according to ISO 5199 with dimensions and rated performance according to EN 733 (10 bar).</p> <p data-bbox="199 806 1452 884">Flanges are PN 16 with dimensions according to EN 1092-2. The pump has an axial suction port, radial discharge port, horizontal shaft and a back pull-out design enabling removal of the motor, motor stool, cover and impeller without disturbing the pump housing or pipework.</p> <p data-bbox="199 896 941 929">The unbalanced rubber bellows seal is according to DIN EN 12756.</p> <p data-bbox="199 929 909 963">The pump is close-coupled to a fan-cooled asynchronous motor.</p> <p data-bbox="199 985 319 1019"><b>Controls:</b></p> <p data-bbox="199 1019 638 1052">Frequency converter: NONE</p> <p data-bbox="199 1075 295 1108"><b>Liquid:</b></p> <p data-bbox="199 1108 638 1142">Pumped liquid: Water</p> <p data-bbox="199 1142 710 1176">Liquid temperature range: -25 .. 120 °C</p> <p data-bbox="199 1176 694 1209">Liquid temperature during operation: 20 °C</p> <p data-bbox="199 1209 702 1243">Density: 998.2 kg/m<sup>3</sup></p> <p data-bbox="199 1254 327 1288"><b>Technical:</b></p> <p data-bbox="199 1288 678 1321">Rated flow: 36.1 m<sup>3</sup>/h</p> <p data-bbox="199 1321 646 1355">Rated head: 55.4 m</p> <p data-bbox="199 1355 662 1388">Actual impeller diameter: 219 mm</p> <p data-bbox="199 1388 662 1422">Nominal impeller diameter: 200 mm</p> <p data-bbox="199 1422 638 1456">Shaft seal arrangement: Single</p> <p data-bbox="199 1456 638 1489">Code for shaft seal: BQQE</p> <p data-bbox="199 1489 766 1523">Curve tolerance: ISO9906:2012 3B</p> <p data-bbox="199 1534 327 1568"><b>Materials:</b></p> <p data-bbox="199 1568 742 1646">Pump housing: Cast iron EN-GJL-250 ASTM class 35</p> <p data-bbox="199 1646 638 1680">Wear ring: Brass</p> <p data-bbox="199 1680 742 1758">Impeller: Cast iron EN-GJL-200 ASTM class 30</p> <p data-bbox="199 1758 734 1848">Shaft: Stainless steel EN 1.4301 AISI 304</p> <p data-bbox="199 1881 343 1915"><b>Installation:</b></p> <p data-bbox="199 1915 630 1948">Maximum ambient temperature: 60 °C</p> <p data-bbox="199 1948 646 1982">Maximum operating pressure: 16 bar</p> <p data-bbox="199 1982 694 2016">Pipe connection standard: EN 1092-2</p> <p data-bbox="199 2016 646 2049">Size of inlet connection: DN 50</p> <p data-bbox="199 2049 646 2083">Size of outlet connection: DN 32</p> <p data-bbox="199 2083 694 2116">Pressure rating for pipe connection: PN 16</p> <p data-bbox="199 2116 582 2150">Pump housing with feet: Y</p>

Qty.	Description
	Support block: Y
	<b>Electrical data:</b>
	IE Efficiency class: IE3
	P2: 11 kW
	Mains frequency: 50 Hz
	Rated voltage: 3 x 380-415D/660-690Y V
	Rated current: 20,8-19,8/12,0-11,8 A
	Starting current: 660-780 %
	Cos phi - power factor: 0.88-0.84
	Rated speed: 2940-2950 rpm
	Efficiency: IE3 91,2%
	Motor efficiency at full load: 91.2 %
	Motor efficiency at 3/4 load: 91.8 %
	Motor efficiency at 1/2 load: 91.3 %
	Number of poles: 2
	Enclosure class (IEC 34-5): 55 Dust/Jetting
	Insulation class (IEC 85): F
	<b>Others:</b>
	Minimum efficiency index, MEI $\hat{\%}$ : 0.68
	Net weight: 137 kg
	Gross weight: 162 kg
	Shipping volume: 0.707 m <sup>3</sup>
	Country of origin: HU
	Custom tariff no.: 84137051

## 98300257 NB 32-200/219 ASF2ABQQE 50 Hz



Description	Value
-------------	-------

**General information:**

Product name: NB 32-200/219 ASF2ABQQE

Product No: 98300257

EAN number: 5711492714102

Price: 3.076,00 GBP

**Technical:**

Rated flow: 36.1 m<sup>3</sup>/h

Rated head: 55.4 m

Actual impeller diameter: 219 mm

Nominal impeller diameter: 200 mm

Shaft seal arrangement: Single

Shaft diameter: 24 mm

Code for shaft seal: BQQE

Curve tolerance: ISO9906:2012 3B

Pump version: AS

**Materials:**

Pump housing: Cast iron

EN-GJL-250

ASTM class 35

Wear ring: Brass

Impeller: Cast iron

EN-GJL-200

ASTM class 30

Shaft: Stainless steel

EN 1.4301

AISI 304

Material code: A

**Installation:**

Maximum ambient temperature: 60 °C

Maximum operating pressure: 16 bar

Pipe connection standard: EN 1092-2

Size of inlet connection: DN 50

Size of outlet connection: DN 32

Pressure rating for pipe connection: PN 16

Pump housing with feet: Y

Support block: Y

Connect code: F2

**Liquid:**

Pumped liquid: Water

Liquid temperature range: -25 .. 120 °C

Liquid temperature during operation: 20 °C

Density: 998.2 kg/m<sup>3</sup>

**Electrical data:**

IE Efficiency class: IE3

P2: 11 kW

Mains frequency: 50 Hz

Rated voltage: 3 x 380-415D/660-690V V

Rated current: 20,8-19,8/12,0-11,8 A

Starting current: 660-780 %

Cos phi - power factor: 0.88-0.84

Rated speed: 2940-2950 rpm

Efficiency: IE3 91,2%

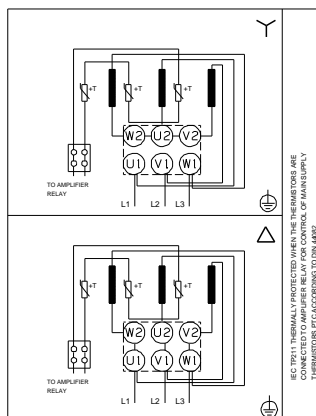
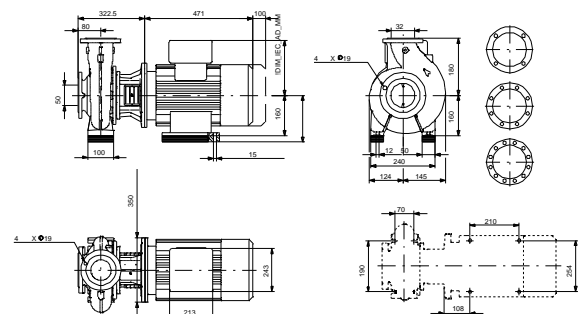
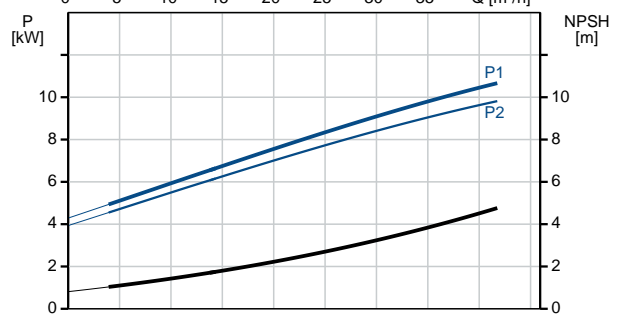
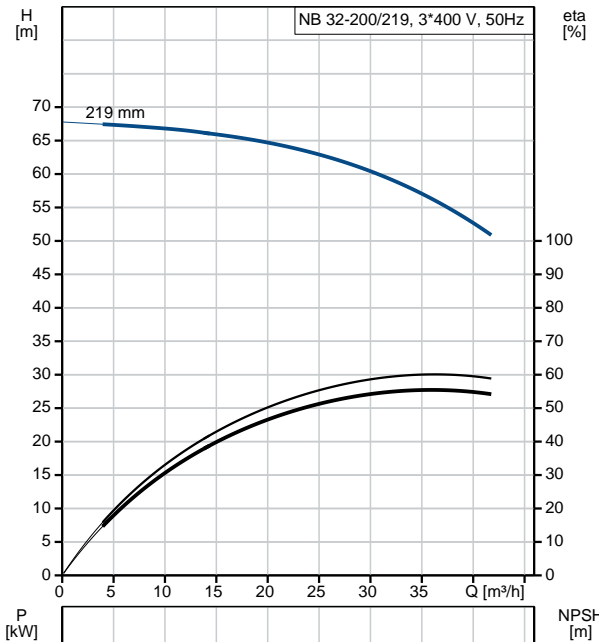
Motor efficiency at full load: 91.2 %

Motor efficiency at 3/4 load: 91.8 %

Motor efficiency at 1/2 load: 91.3 %

Number of poles: 2

Enclosure class (IEC 34-5): 55 Dust/Jetting



IEC 3714 TERMINALS INDICATED IN THE DIMENSIONS ARE CONNECTED TO AMPLIFIER RELAY FOR CONTROL OF MAIN SUPPLY. THEREFORE IFC ACCORDING TO DIN 4820.



Company name:

Created by:

Phone:

Date:

21/03/2019

Description	Value
Insulation class (IEC 85):	F
Motor protec:	PTC
Motor No:	87420028
Mount. design. acc. IEC 34-7:	IM B35
<b>Controls:</b>	
Frequency converter:	NONE
<b>Others:</b>	
Minimum efficiency index, MEI $\eta_{\%}$ :	0.68
Net weight:	137 kg
Gross weight:	162 kg
Shipping volume:	0.707 m <sup>3</sup>
Country of origin:	HU
Custom tariff no.:	84137051

## 98300257 NB 32-200/219 ASF2ABQQE 50 Hz

