


Position	Qty.	Description
	1	<p><b>TP 40-50/2 A-F-I-BQQE</b></p>  <p>Note! Product picture may differ from actual product</p> <p>Product No.: <a href="#">98282357</a></p> <p>Single-stage, close-coupled, volute pump with in-line suction and discharge ports of identical diameter. The pump is of the top-pull-out design, i.e. the power head (motor, pump head and impeller) can be removed for maintenance or service while the pump housing remains in the pipework.</p> <p>The pump is fitted with an unbalanced rubber bellows seal. The shaft seal is according to EN 12756. Pipework connection is via PN 6/10 DIN flanges (EN 1092-2 and ISO 7005-2).</p> <p>The pump is fitted with a fan-cooled asynchronous motor.</p> <p><b>Liquid:</b>  Pumped liquid: Water  Liquid temperature range: -25 .. 120 °C  Liquid temperature during operation: 20 °C  Density: 998.2 kg/m<sup>3</sup></p> <p><b>Technical:</b>  Speed for pump data: 2800 rpm  Rated flow: 5.61 m<sup>3</sup>/h  Rated head: 2.95 m  Primary shaft seal: BQQE  Curve tolerance: ISO9906:2012 3B</p> <p><b>Materials:</b>  Pump housing: Stainless steel  DIN W.-Nr. 1.4308  ASTM CF8  Impeller: Composite PES/PP 30% GF</p> <p><b>Installation:</b>  Range of ambient temperature: -30 .. 40 °C  Maximum operating pressure: 10 bar  Flange standard: DIN  Pipe connection: DN 40  Pressure stage: PN 6/10  Port-to-port length: 250 mm  Flange size for motor: FT75</p> <p><b>Electrical data:</b>  Motor type: 71A  IE Efficiency class: NA  Rated power - P2: 0.12 kW  Power (P2) required by pump: 0.12 kW  Mains frequency: 50 Hz  Rated voltage: 1 x 220-240 V  Rated current: 1,36-1,57 A  Starting current: 400-370 %</p>



Company name:

Created by:

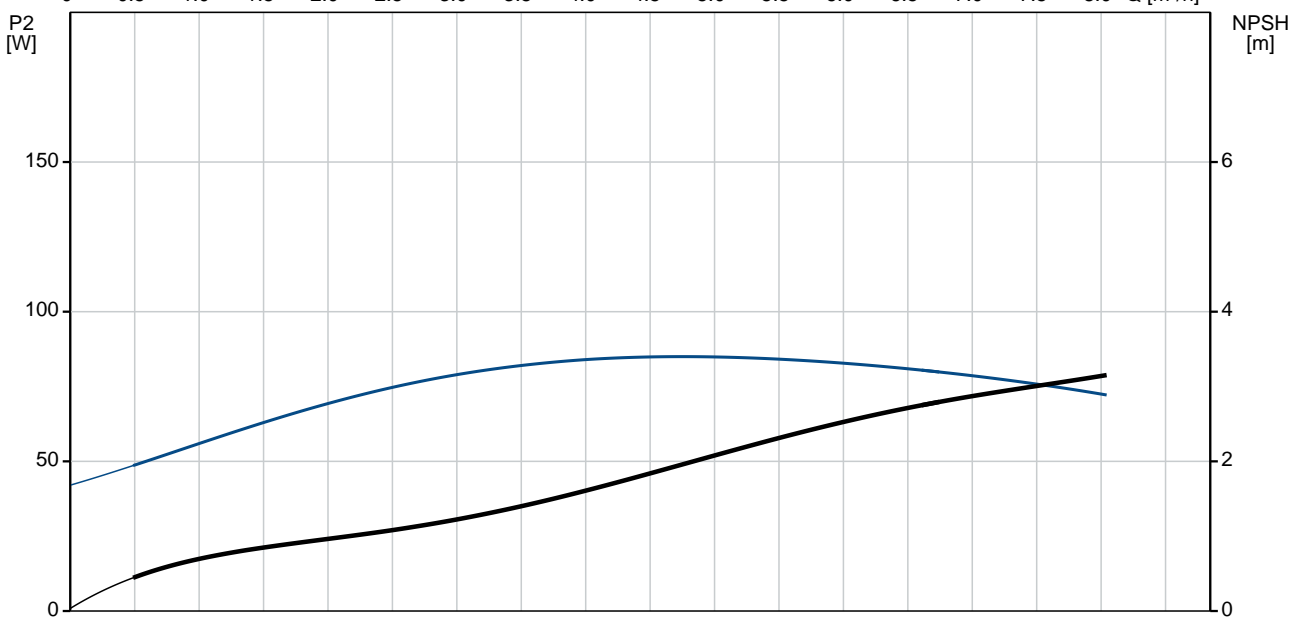
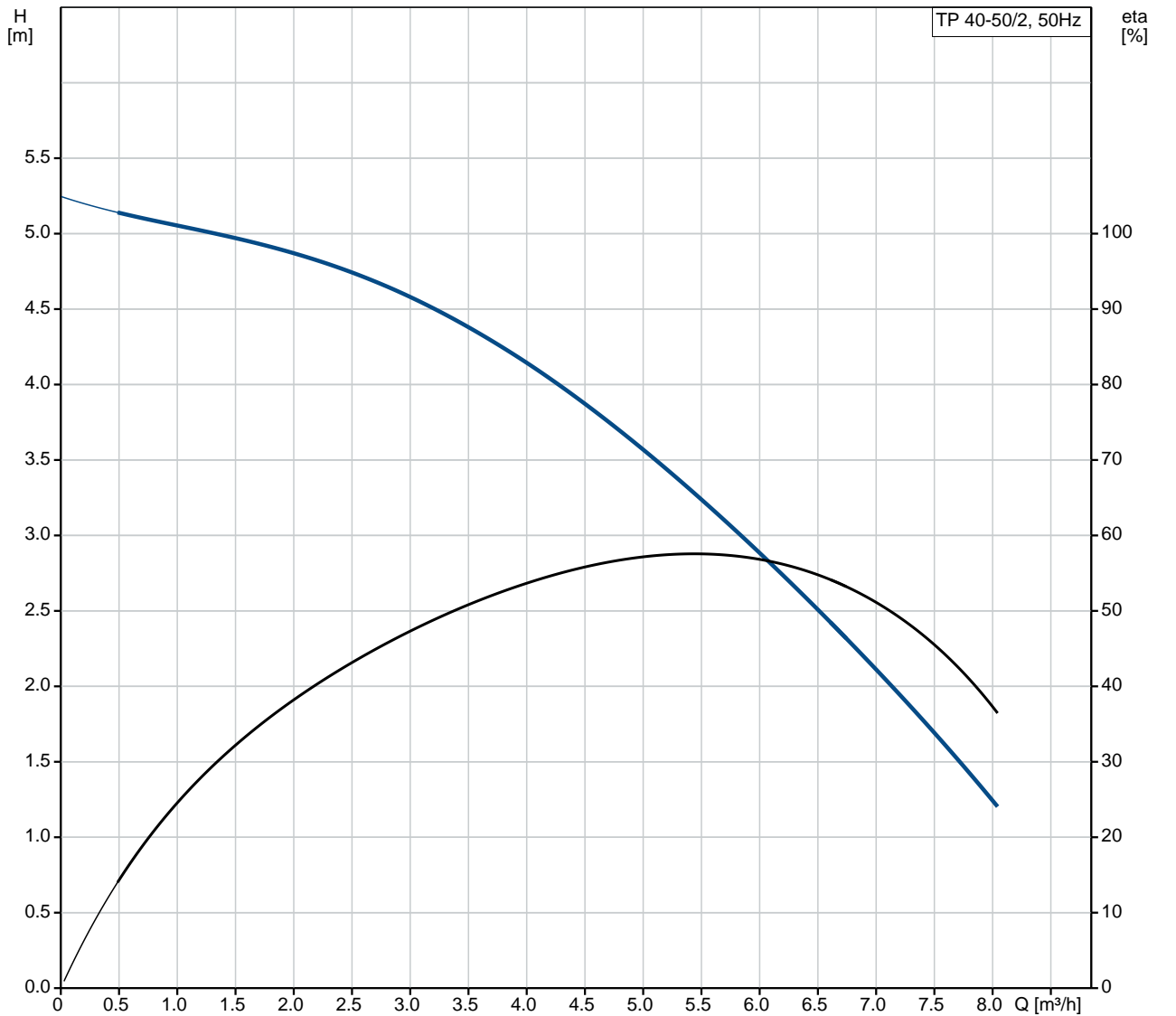
Phone:

Date:

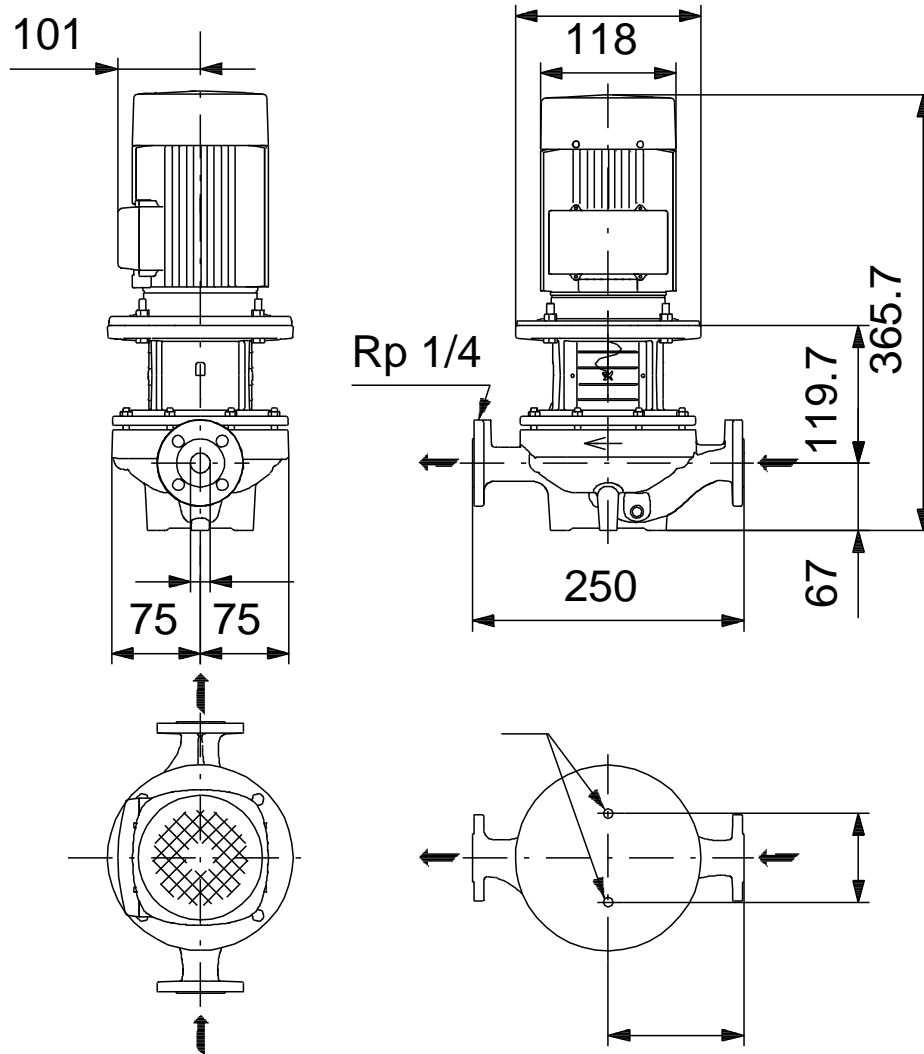
30/06/2017

Position	Qty.	Description
		<p>Cos phi - power factor: 0,77 Rated speed: 2815-2835 rpm Motor efficiency at full load: 52.3-53.2 % Number of poles: 2 Enclosure class (IEC 34-5): 55 Dust/Jetting Insulation class (IEC 85): F</p> <p><b>Others:</b> Minimum efficiency index, MEI : --.- ErP status: EuP Standalone/Prod. Net weight: 12.7 kg Gross weight: 14.7 kg Shipping volume: 0.02 m<sup>3</sup></p>

## 98282357 TP 40-50/2 50 Hz

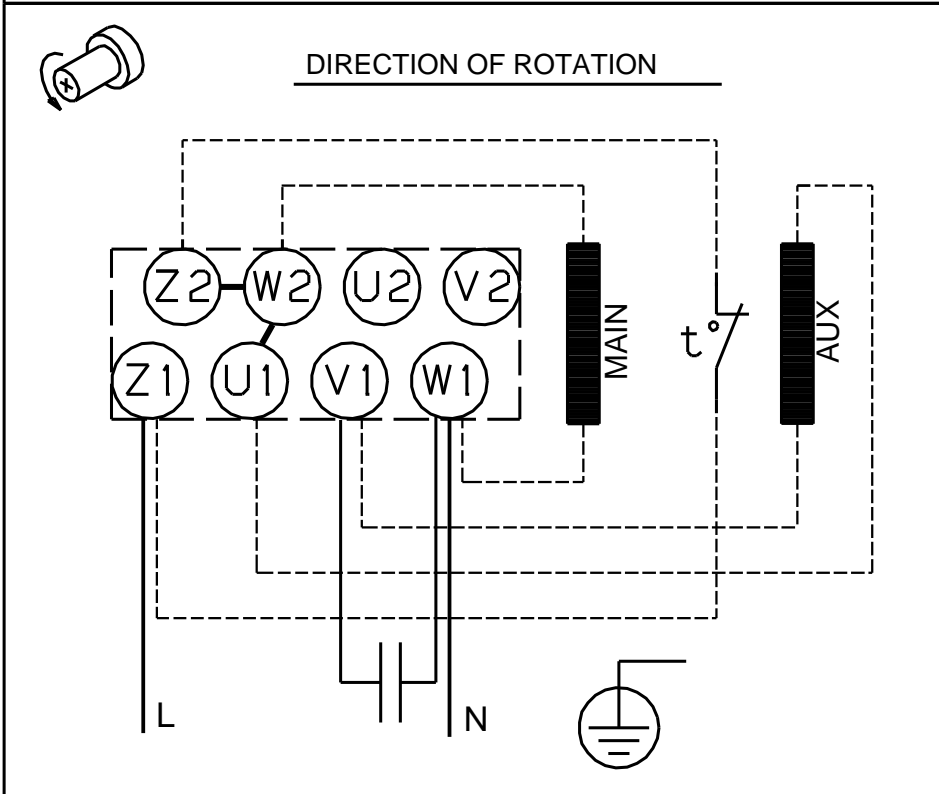
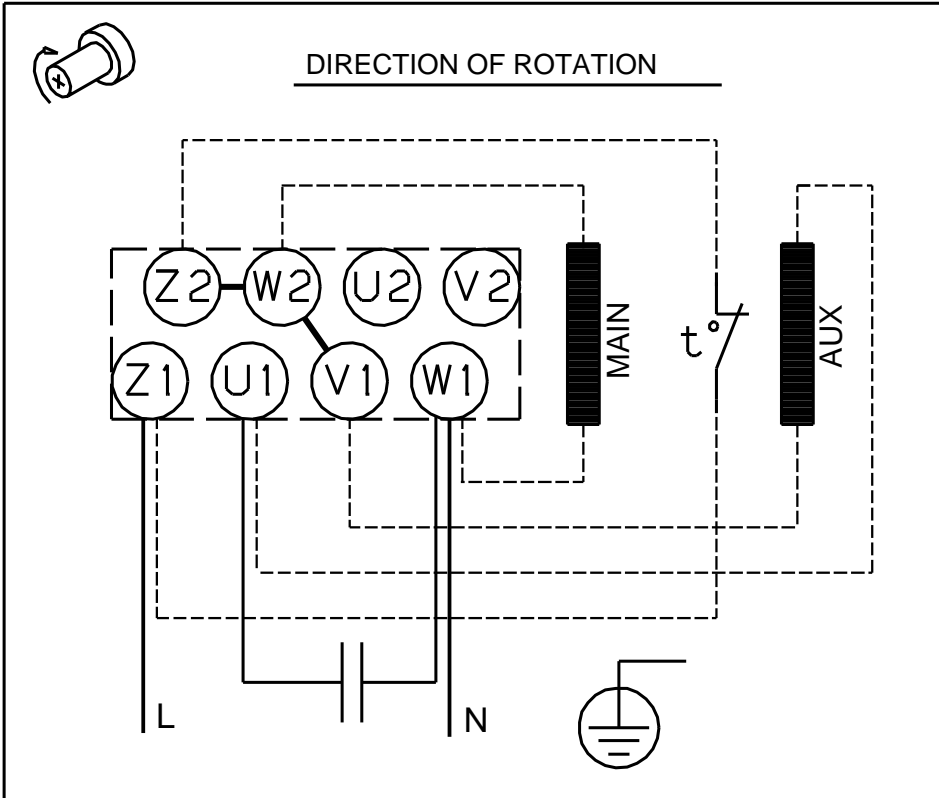


## 98282357 TP 40-50/2 50 Hz



Note! All units are in [mm] unless others are stated.  
Disclaimer: This simplified dimensional drawing does not show all details.

## 98282357 TP 40-50/2 50 Hz



Note! All units are in [mm] unless others are stated.