
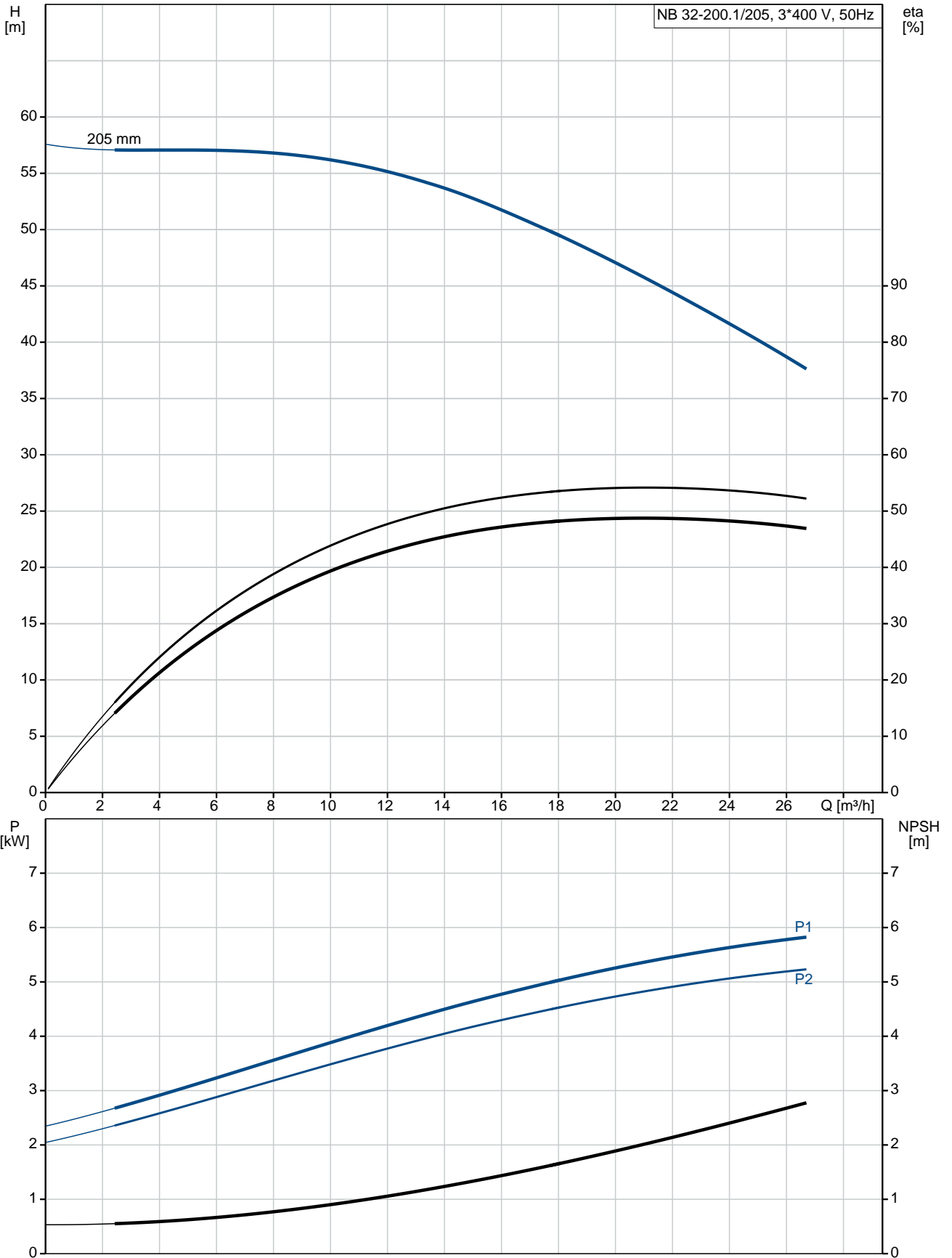


Qty.	Description
1	<p data-bbox="199 338 539 369">NB 32-200.1/205 AF2ABQQE</p> <div data-bbox="292 456 507 595" style="text-align: center;">  </div> <p data-bbox="199 660 469 687">Product No.: 98177816</p> <p data-bbox="199 719 1461 772">Non-self-priming, single-stage, centrifugal volute pump designed according to ISO 5199 with dimensions and rated performance according to EN 733 (10 bar).</p> <p data-bbox="199 806 1452 884">Flanges are PN 16 with dimensions according to EN 1092-2. The pump has an axial suction port, radial discharge port, horizontal shaft and a back pull-out design enabling removal of the motor, motor stool, cover and impeller without disturbing the pump housing or pipework.</p> <p data-bbox="199 896 941 922">The unbalanced rubber bellows seal is according to DIN EN 12756.</p> <p data-bbox="199 925 906 952">The pump is close-coupled to a fan-cooled asynchronous motor.</p> <p data-bbox="199 983 316 1010">Controls:</p> <p data-bbox="199 1012 638 1039">Frequency converter: NONE</p> <p data-bbox="199 1070 288 1097">Liquid:</p> <p data-bbox="199 1099 635 1126">Pumped liquid: Water</p> <p data-bbox="199 1128 707 1155">Liquid temperature range: -25 .. 120 °C</p> <p data-bbox="199 1158 687 1184">Liquid temperature during operation: 20 °C</p> <p data-bbox="199 1187 699 1214">Density: 998.2 kg/m³</p> <p data-bbox="199 1245 328 1272">Technical:</p> <p data-bbox="199 1274 673 1301">Rated flow: 22.3 m³/h</p> <p data-bbox="199 1303 657 1330">Rated head: 44.31 m</p> <p data-bbox="199 1332 657 1359">Actual impeller diameter: 205 mm</p> <p data-bbox="199 1361 678 1388">Nominal impeller diameter: 200.1 mm</p> <p data-bbox="199 1391 635 1417">Shaft seal arrangement: Single</p> <p data-bbox="199 1420 635 1447">Code for shaft seal: BQQE</p> <p data-bbox="199 1449 764 1476">Curve tolerance: ISO9906:2012 3B</p> <p data-bbox="199 1507 320 1534">Materials:</p> <p data-bbox="199 1536 735 1630">Pump housing: Cast iron EN-GJL-250 ASTM class 35</p> <p data-bbox="199 1632 635 1659">Wear ring: Brass</p> <p data-bbox="199 1662 735 1756">Impeller: Cast iron EN-GJL-200 ASTM class 30</p> <p data-bbox="199 1758 727 1852">Shaft: Stainless steel EN 1.4301 AISI 304</p> <p data-bbox="199 1861 344 1888">Installation:</p> <p data-bbox="199 1890 632 1917">Maximum ambient temperature: 60 °C</p> <p data-bbox="199 1919 639 1946">Maximum operating pressure: 16 bar</p> <p data-bbox="199 1948 687 1975">Pipe connection standard: EN 1092-2</p> <p data-bbox="199 1977 639 2004">Size of inlet connection: DN 50</p> <p data-bbox="199 2007 639 2033">Size of outlet connection: DN 32</p> <p data-bbox="199 2036 687 2063">Pressure rating for pipe connection: PN 16</p> <p data-bbox="199 2065 584 2092">Pump housing with feet: Y</p>

Qty.	Description
	<p>Support block: N</p> <p>Electrical data:</p> <p>IE Efficiency class: IE3</p> <p>P2: 5.5 kW</p> <p>Mains frequency: 50 Hz</p> <p>Rated voltage: 3 x 380-415D V</p> <p>Rated current: 11 A</p> <p>Starting current: 1080-1180 %</p> <p>Cos phi - power factor: 0.87-0.82</p> <p>Rated speed: 2920-2940 rpm</p> <p>Efficiency: IE3 89,2%</p> <p>Motor efficiency at full load: 89.2 %</p> <p>Motor efficiency at 3/4 load: 90.0 %</p> <p>Motor efficiency at 1/2 load: 89.6 %</p> <p>Number of poles: 2</p> <p>Enclosure class (IEC 34-5): 55 Dust/Jetting</p> <p>Insulation class (IEC 85): F</p> <p>Others:</p> <p>Minimum efficiency index, MEI $\hat{\%}$: 0.58</p> <p>Net weight: 82 kg</p> <p>Gross weight: 104 kg</p> <p>Shipping volume: 0.509 m³</p> <p>Country of origin: HU</p> <p>Custom tariff no.: 84137051</p>

98177816 NB 32-200.1/205 AF2ABQQE 50 Hz



Description	Value
-------------	-------

General information:

Product name: NB 32-200.1/205 AF2ABQQE

Product No: 98177816

EAN number: 5711490958003

Price: 2.184,00 GBP

Technical:

Rated flow: 22.3 m³/h

Rated head: 44.31 m

Actual impeller diameter: 205 mm

Nominal impeller diameter: 200.1 mm

Shaft seal arrangement: Single

Shaft diameter: 24 mm

Code for shaft seal: BQQE

Curve tolerance: ISO9906:2012 3B

Pump version: A

Materials:

Pump housing: Cast iron

EN-GJL-250

ASTM class 35

Wear ring: Brass

Impeller: Cast iron

EN-GJL-200

ASTM class 30

Shaft: Stainless steel

EN 1.4301

AISI 304

Material code: A

Installation:

Maximum ambient temperature: 60 °C

Maximum operating pressure: 16 bar

Pipe connection standard: EN 1092-2

Size of inlet connection: DN 50

Size of outlet connection: DN 32

Pressure rating for pipe connection: PN 16

Pump housing with feet: Y

Support block: N

Connect code: F2

Liquid:

Pumped liquid: Water

Liquid temperature range: -25 .. 120 °C

Liquid temperature during operation: 20 °C

Density: 998.2 kg/m³

Electrical data:

IE Efficiency class: IE3

P2: 5.5 kW

Mains frequency: 50 Hz

Rated voltage: 3 x 380-415D V

Rated current: 11 A

Starting current: 1080-1180 %

Cos phi - power factor: 0.87-0.82

Rated speed: 2920-2940 rpm

Efficiency: IE3 89,2%

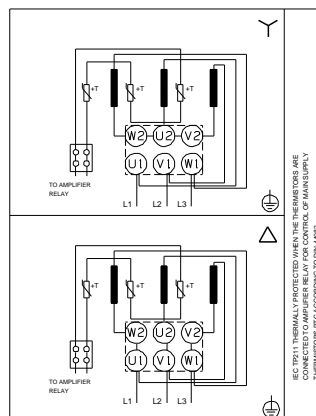
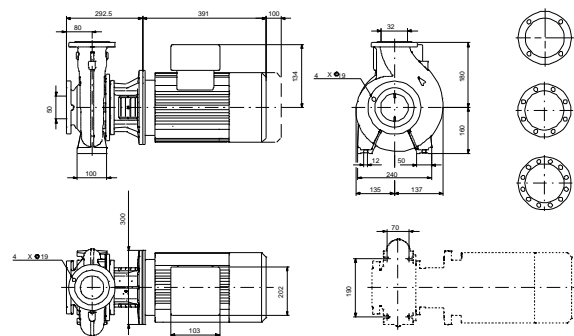
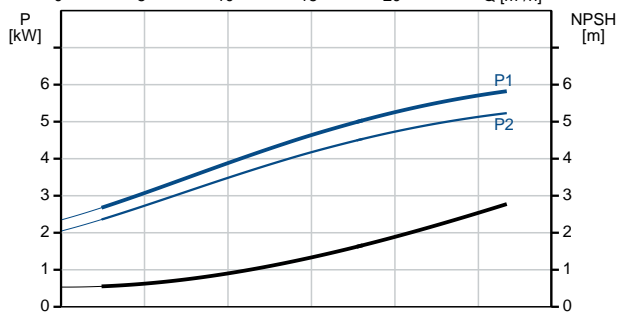
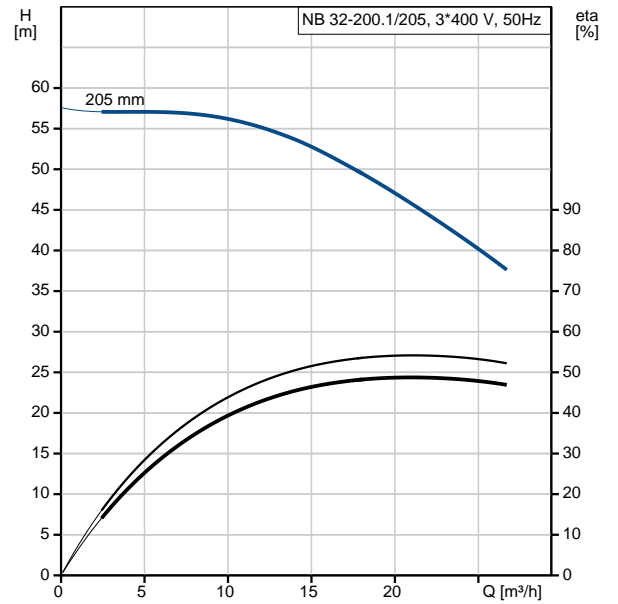
Motor efficiency at full load: 89.2 %

Motor efficiency at 3/4 load: 90.0 %

Motor efficiency at 1/2 load: 89.6 %

Number of poles: 2

Enclosure class (IEC 34-5): 55 Dust/Jetting





Company name:

Created by:

Phone:

Date:

21/03/2019

Description	Value
Insulation class (IEC 85):	F
Motor protec:	PTC
Motor No:	87322229
Mount. design. acc. IEC 34-7:	IM V1/B5
Controls:	
Frequency converter:	NONE
Others:	
Minimum efficiency index, MEI $\eta_{\%}$:	0.58
Net weight:	82 kg
Gross weight:	104 kg
Shipping volume:	0.509 m ³
Country of origin:	HU
Custom tariff no.:	84137051

98177816 NB 32-200.1/205 AF2ABQQE 50 Hz

