
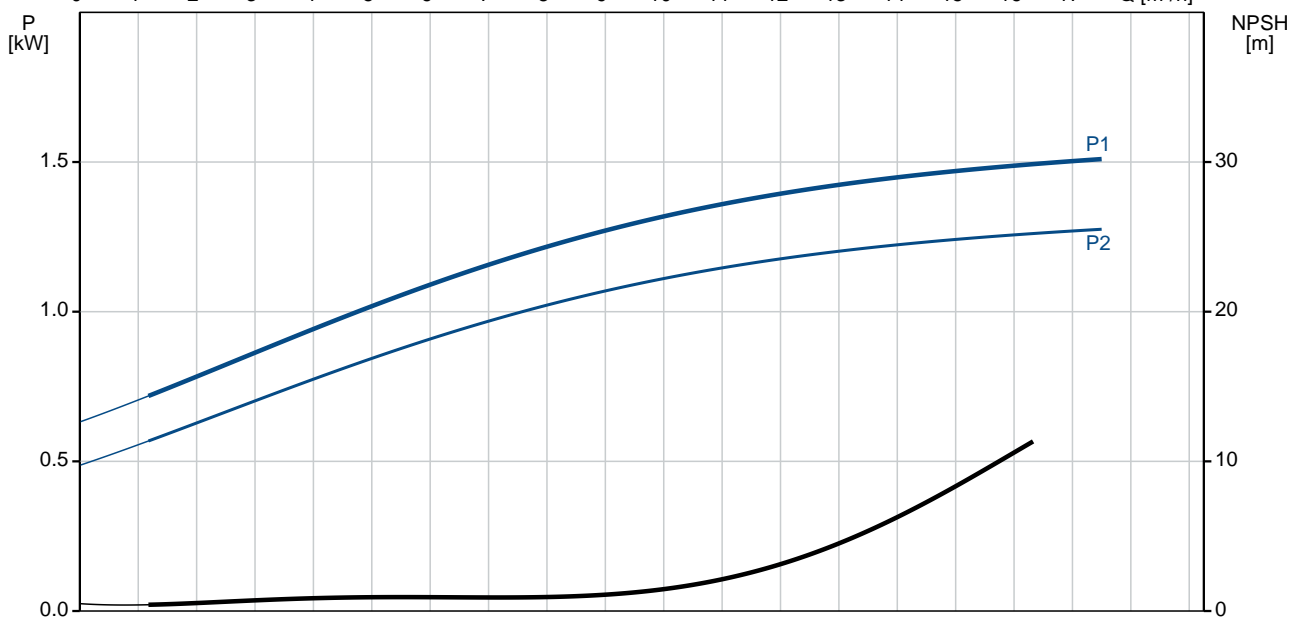
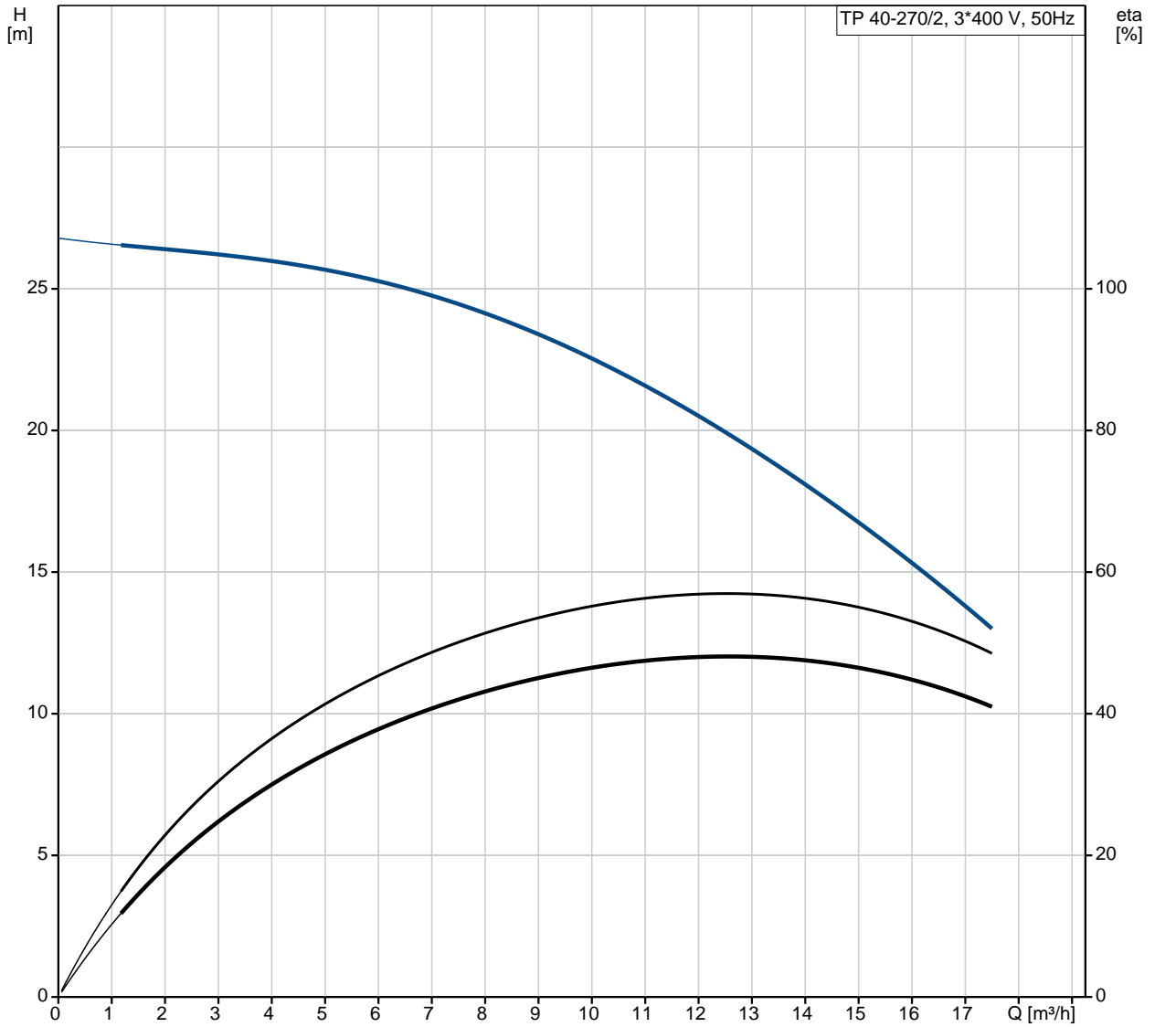


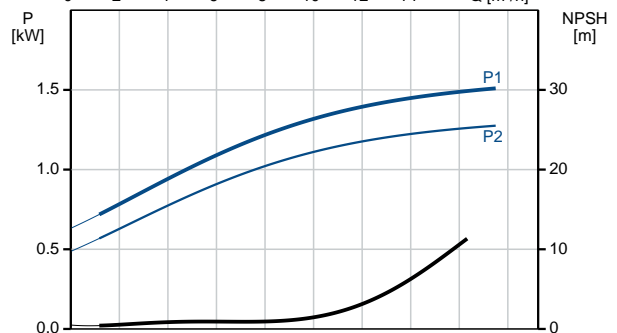
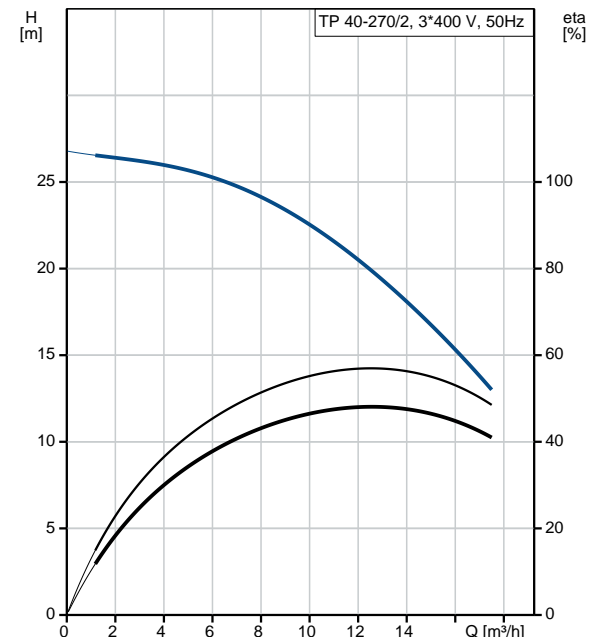
| Position | Qty. | Description   |
|----------|------|---|
|          | 1    | <p><b>TP 40-270/2 A-F-A-BQQE</b></p>  <p>Product No.: <a href="#">98133646</a></p> <p>Single-stage, close-coupled, volute pump with in-line suction and discharge ports of identical diameter. The pump is of the top-pull-out design, i.e. the power head (motor, pump head and impeller) can be removed for maintenance or service while the pump housing remains in the pipework.</p> <p>The pump is fitted with an unbalanced rubber bellows seal. The shaft seal is according to EN 12756. Pipework connection is via PN 16 DIN flanges (EN 1092-2 and ISO 7005-2).</p> <p>The pump is fitted with a fan-cooled asynchronous motor.</p> <p><b>Liquid:</b></p> <p>Pumped liquid: Water<br/>           Liquid temperature range: -25 .. 120 °C<br/>           Liquid temperature during operation: 20 °C<br/>           Density: 998.2 kg/m<sup>3</sup></p> <p><b>Technical:</b></p> <p>Speed for pump data: 2880 rpm<br/>           Rated flow: 12.5 m<sup>3</sup>/h<br/>           Rated head: 19.9 m<br/>           Actual impeller diameter: 145 mm<br/>           Primary shaft seal: BQQE<br/>           Curve tolerance: ISO9906:2012 3B</p> <p><b>Materials:</b></p> <p>Pump housing: Cast iron<br/>           EN-JL1040<br/>           ASTM A48-40 B</p> <p>Impeller: Stainless steel<br/>           DIN W.-Nr. 1.4301<br/>           AISI 304</p> <p><b>Installation:</b></p> <p>Range of ambient temperature: -30 .. 60 °C<br/>           Maximum operating pressure: 16 bar<br/>           Flange standard: DIN<br/>           Pipe connection: DN 40<br/>           Pump inlet: DN 40<br/>           Pump outlet: DN 40<br/>           Pressure rating: PN 16<br/>           Port-to-port length: 320 mm<br/>           Flange size for motor: FT115</p> <p><b>Electrical data:</b></p> <p>Motor type: 90SB<br/>           IE Efficiency class: IE3<br/>           Rated power - P2: 1.5 kW<br/>           Power (P2) required by pump: 1.5 kW<br/>           Mains frequency: 50 Hz</p> |

| Position | Qty. | Description  |
|----------|------|--|
|          |      | <p>Rated voltage: 3 x 220-240D/380-415Y V</p> <p>Rated current: 5,45/3,15 A</p> <p>Starting current: 850-930 %</p> <p>Cos phi - power factor: 0,87-0,82</p> <p>Rated speed: 2890-2910 rpm</p> <p>Efficiency: IE3 84,2%</p> <p>Motor efficiency at full load: 84.2 %</p> <p>Motor efficiency at 3/4 load: 84.5 %</p> <p>Motor efficiency at 1/2 load: 83.1 %</p> <p>Number of poles: 2</p> <p>Enclosure class (IEC 34-5): 55 Dust/Jetting</p> <p>Insulation class (IEC 85): F</p> <p><b>Others:</b></p> <p>Minimum efficiency index, MEI : 0.70</p> <p>ErP status: EuP Standalone/Prod.</p> <p>Net weight: 37.8 kg</p> <p>Gross weight: 41.4 kg</p> <p>Shipping volume: 0.07 m<sup>3</sup></p> <p>Danish VVS No.: VVS NO 38 1812.270</p> <p>Norwegian NRF no.: NRF NO 9043541</p> |

## 98133646 TP 40-270/2 50 Hz



| Description                          | Value  |
|--------------------------------------|--|
| <b>General information:</b>          |  |
| Product name:                        | TP 40-270/2 A-F-A-BQQE                           |
| Product No:                          | <a href="#">98133646</a>                         |
| EAN number:                          | 5711490225525                                    |
| <b>Technical:</b>                    |  |
| Speed for pump data:                 | 2880 rpm   |
| Rated flow:                          | 12.5 m <sup>3</sup> /h                           |
| Rated head:                          | 19.9 m   |
| Head max:                            | 270 dm   |
| Actual impeller diameter:            | 145 mm   |
| Primary shaft seal:                  | BQQE   |
| Curve tolerance:                     | ISO9906:2012 3B                                  |
| Pump version:                        | A  |
| Model:                               | A  |
| <b>Materials:</b>                    |  |
| Pump housing:                        | Cast iron<br>EN-JL1040<br>ASTM A48-40 B          |
| Impeller:                            | Stainless steel<br>DIN W.-Nr. 1.4301<br>AISI 304 |
| Material code:                       | A  |
| <b>Installation:</b>                 |  |
| Range of ambient temperature:        | -30 .. 60 °C                                     |
| Maximum operating pressure:          | 16 bar   |
| Flange standard:                     | DIN  |
| Connect code:                        | F  |
| Pipe connection:                     | DN 40  |
| Pump inlet:                          | DN 40  |
| Pump outlet:                         | DN 40  |
| Pressure rating:                     | PN 16  |
| Port-to-port length:                 | 320 mm   |
| Flange size for motor:               | FT115  |
| <b>Liquid:</b>                       |  |
| Pumped liquid:                       | Water  |
| Liquid temperature range:            | -25 .. 120 °C                                    |
| Liquid temperature during operation: | 20 °C  |
| Density:                             | 998.2 kg/m <sup>3</sup>                          |
| <b>Electrical data:</b>              |  |
| Motor type:                          | 90SB   |
| IE Efficiency class:                 | IE3  |
| Rated power - P2:                    | 1.5 kW   |
| Power (P2) required by pump:         | 1.5 kW   |
| Mains frequency:                     | 50 Hz  |
| Rated voltage:                       | 3 x 220-240D/380-415Y V                          |
| Rated current:                       | 5,45/3,15 A                                      |
| Starting current:                    | 850-930 %  |
| Cos phi - power factor:              | 0,87-0,82  |
| Rated speed:                         | 2890-2910 rpm                                    |
| Efficiency:                          | IE3 84,2%  |
| Motor efficiency at full load:       | 84.2 %   |
| Motor efficiency at 3/4 load:        | 84.5 %   |
| Motor efficiency at 1/2 load:        | 83.1 %   |
| Number of poles:                     | 2  |





Company name:

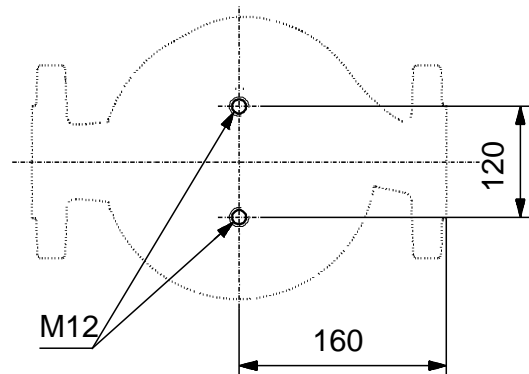
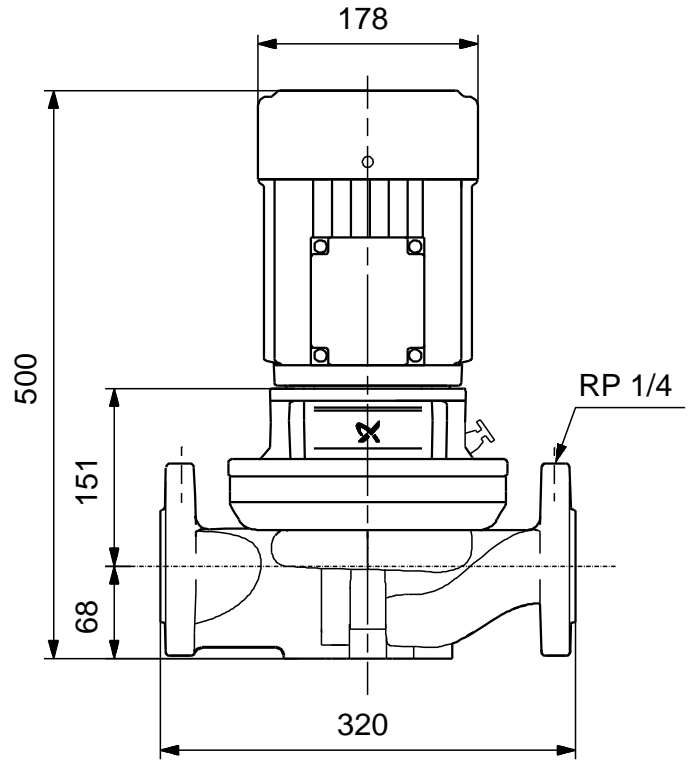
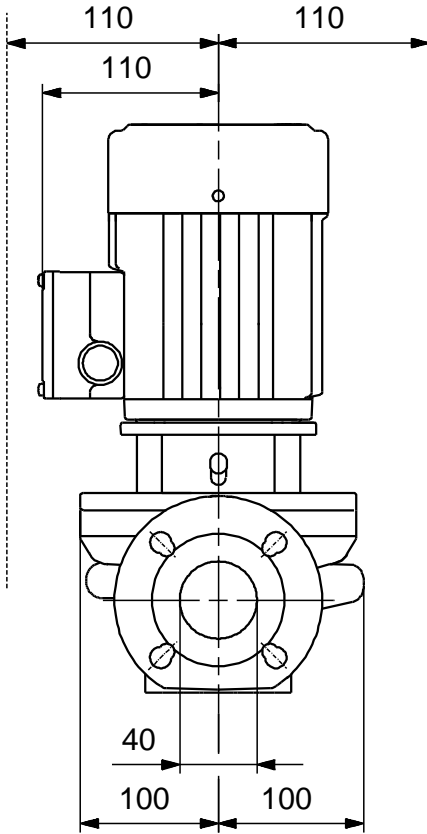
Created by:

Phone:

Date: 26/01/2018

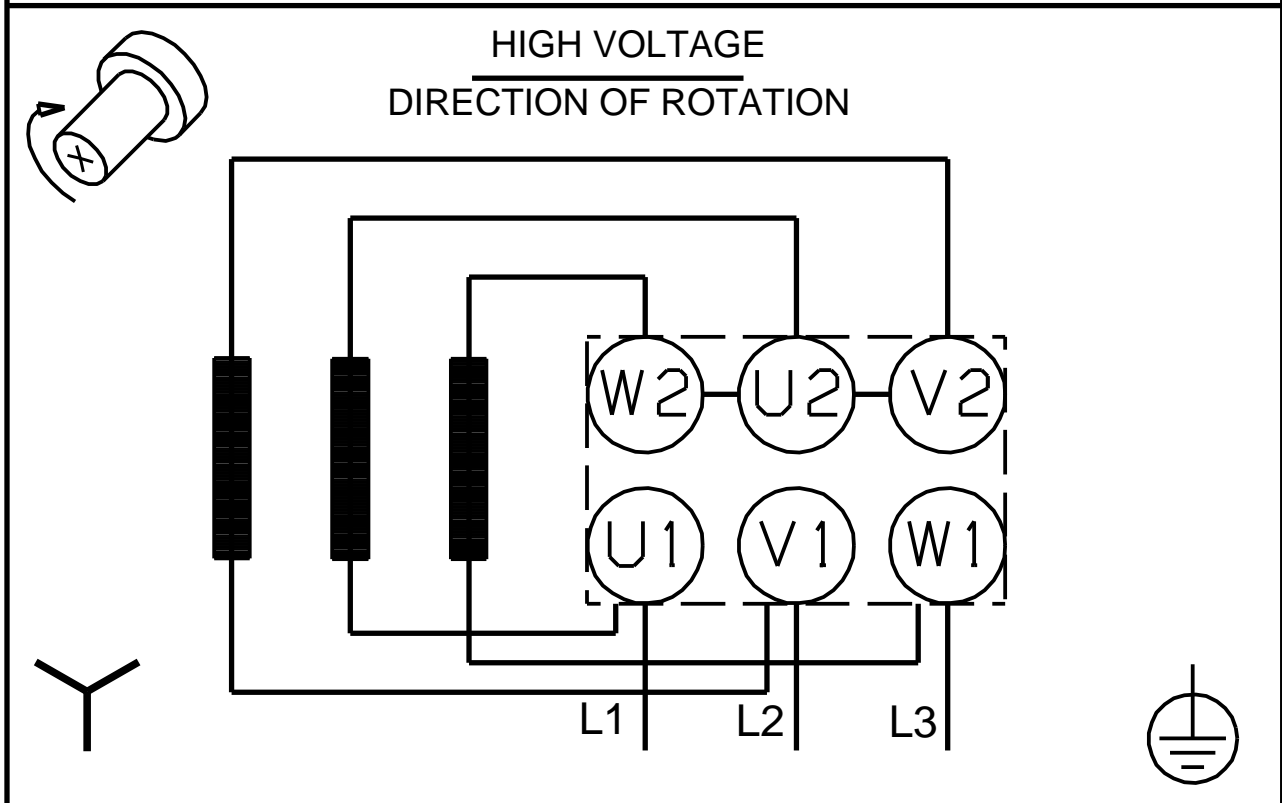
| Description                     | Value                |
|---------------------------------|----------------------|
| Enclosure class (IEC 34-5):     | 55 Dust/Jetting      |
| Insulation class (IEC 85):      | F                    |
| Motor protec:                   | NONE                 |
| Motor No:                       | 85U05906             |
| <b>Others:</b>                  |                      |
| Minimum efficiency index, MEI : | 0.70                 |
| ErP status:                     | EuP Standalone/Prod. |
| Net weight:                     | 37.8 kg              |
| Gross weight:                   | 41.4 kg              |
| Shipping volume:                | 0.07 m <sup>3</sup>  |
| Danish VVS No.:                 | VVS NO 38 1812.270   |
| Norwegian NRF no.:              | NRF NO 9043541       |

## 98133646 TP 40-270/2 50 Hz



Note! All units are in [mm] unless others are stated.  
Disclaimer: This simplified dimensional drawing does not show all details.

## 98133646 TP 40-270/2 50 Hz



Note! All units are in [mm] unless others are stated.